



PARTS CATALOG

Published

2009/7 (Jul.)

0CNP4-G99000

Directions for the Parts Catalog.

1. The parts stipulated in this Parts Catalog are not necessarily standard equipped parts.
2. Parts may change without prior notice.
3. The following is an example of the Parts Catalog format.

REF.	LEV.	PARTS NO.	DESCRIPTION	Q'TY						I	R
				(A)	(B)	(C)	(D)	(E)	(F)		
1	1	729595-51390	FUEL INJECTION PUMP	1	1	1	1	1			1
1-1	1	729595-51391	FUEL INJECTION PUMP	1	1	1	1	1		N	1
		(A=E00185) (B=E00200)									
3	2	26022-060162	SCREW M 6X 16	9	9	9	9	9			
3-1	2	26022-060162	SCREW M 6X 16	4	4	4	4	4		K	
		(A=E00156) (B=E00156) (C=E00156) (D=E00156) (E=E00156)									
4	2	129470-51040	CAMSHAFT	1	1	1	1	1			
5	2	122710-51050	BEARING, ROLLER	2	2	2	2	2			
6	2	129470-51060	RETAINER	1	1	1	1	1			

Remarks
(1) BOOST COMPEMSATOR TYPE. OPTIONAL PART, TO E00155,(4JH-DT, 4JH-DTZ

① Ref. No.

The Ref. No. listed may not be in accordance with the illustration Ref. No.

(Ex.) Illustration No.

List Ref No.

1

1

(Before change)

1-1

(After change)

For interchangeable symbols N, R and K, illustrations for new parts may be abbreviated.

② Lev. (Level)

Level indication

The numbers below indicate the level of relativity towards the main part.

1 ----- Main parts (Assembly parts)

2 ----- Sub component included in " 1 ".

3 ----- Sub component included in " 2 ".

Note) Parts that are not for sale are partially illustrated but not listed.

③ Interchangeability Mark

When a part change takes place, one of the following interchangeability symbols is indicated beside the part.

Symbol	Interchangeability	Contents note
N	Old $\begin{matrix} \leftarrow \text{Yes} \\ \text{No} \rightarrow \end{matrix}$ New	New Part is interchangeable for Old Part but Old Part is not interchangeable for New Part.
Q	Old $\begin{matrix} \leftarrow \text{No} \\ \text{Yes} \rightarrow \end{matrix}$ New	New Part is not interchangeable for Old Part but Old Part is interchangeable for New Part.
R	Old $\begin{matrix} \leftarrow \text{Yes} \\ \text{Yes} \rightarrow \end{matrix}$ New	New/ Old Parts are both interchangeable.
S	Old $\begin{matrix} \leftarrow \text{No} \\ \text{No} \rightarrow \end{matrix}$ New	New/ Old Parts are both not interchangeable.
W		Part discontinued.
Z		Part newly added.
F		Not interchangeable by a single part but interchangeable together with related parts.
K		Changes only for used parts quantities.

④ Effective Machine No.

When a part changes, the effective Machine No. will be indicated in the (A)-(F) column.

Product Symbol	Product No.	Product Symbol	Product No.
C	Clutch No. Compressor No.	F	Machine No. (Agricultural Equip.)
D	Drive No.	M	Machine No.
E	Engine No.	Note 1)	Date

Note 1) A date may follow the symbol. (Ex.) 1996.01

Note 2) " XXX " are for parts that could not be predicted or for engine models that could not be identified.

Note 3) (A=E00185) is the E (Engine Serial Number) for the column (A) model (in this case 4JH-DT) after the parts design change.

⑤ Remarks Mark

Figures or alphabets (symbols) are entered in the remarks column.

The comments (remarks) on parts that are indicated at the bottom of the illustration are the same symbols as those stated above.

CONTENTS

MODEL : EG765,775,782-KPQ

PC NO : 0CNP4-G99000

Fig.No.	GROUP NAME
ENGINE CONTROL SECTION	
1.	ENGINE RELATED
2.	ENGINE RELATED
3.	ENGINE PARTS
4.	ENGINE PARTS
5.	ACCEL SENSOR
6.	FOOT AXLE(CABIN FLOOR
7.	FOOT AXLE(MAIN
8.	EXHAUST
9.	FUEL OIL TANK
10.	TANK FRAME
11.	BREATHER(MAIN
12.	BREATHER(CABIN
13.	PRE-CLEANER
FRONT AXLE SECTION	
14.	FRONT BRACKET
15.	FRONT WEIGHT
16.	CENTER PIN
17.	ARM
18.	TIE-ROD
19.	DIFF. RING GEAR
20.	DIFF. GEAR
21.	PROPELLER SHAFT
22.	FRONT SHAFT(1
23.	FRONT AXLE HOUSING
24.	BREATHER
25.	FRONT GEAR HOUSING
26.	FRONT SHAFT(2
27.	FRONT SPINDLE

Fig.No.	GROUP NAME
28.	SHAFT COVER
29.	FRONT WHEEL TIRE
30.	HUB BOLT
31.	STEERING COLUMN(CABIN
32.	STEERING COLUMN(MAIN
33.	WHEEL, STEERING
34.	POWER STEERING CYLINDER
35.	POWER STEERING VALVE
36.	POWER STEERING LINE
37.	POWER STEERING HOSE
TRANSMISSION SECTION	
38.	CLUTCH HOUSING
39.	DOCKING BOLT
40.	DAMPER DISC
41.	CLUTCH LINK(MAIN
42.	CLUTCH LINK(CABIN FLOOR
43.	TRANSMISSION CASE
44.	CENTER PLATE
45.	MAIN VALVE
46.	PTO. VALVE
47.	SUPPORT PLATE
48.	MAIN SHAFT
49.	CLUTCH SHAFT
50.	MORTOR SHAFT
51.	COUNTER SHAFT
52.	REDUCTION SHAFT
53.	PTO. CLUTCH
54.	PTO. DRIVE SHAFT
55.	PTO. SHAFT

CONTENTS

MODEL : EG765,775,782-KPQ
PC NO : 0CNP4-G99000

Fig.No. GROUP NAME

- 56. PTO. SHAFT COVER
- 57. PTO. SHAFT GUARD
- 58. SHIFT LEVER(CABIN FLOOR)
- 59. SHIFT LEVER(MAIN)
- 60. REVERSE LEVER(CABIN FLOOR)
- 61. REVERSE LEVER(MAIN)
- 62. RANGE SHIFT
- 63. RANGE SHIFT LEVER(MAIN)
- 64. RANGE SHIFT LEVER(CABIN FLOOR)
- 65. PTO. SHIFT
- 66. GROUND PTO. LEVER
- 67. FRONT DRIVE
- 68. HST
- 69. HST CONTROL

REAR AXLE SECTION

- 70. DIFF. RING CEAR
- 71. DIFF. GEAR
- 72. DIFF. CARRIER
- 73. REAR AXLE HOUSING
- 74. DIFF. LOCK
- 75. DIFF. LOCK PEDAL
- 76. FINAL PINION
- 77. FINAL GEAR
- 78. REAR AXLE SHAFT
- 79. REAR WHEEL TIRE
- 80. REAR HUB BOLT
- 81. BRAKE
- 82. PEDAL
- 83. BRAKE LINK(MAIN)

Fig.No. GROUP NAME

- 84. BRAKE LINK(CABIN FLOOR)

HYDRAULIC CONTROL SECTION

- 85. PUMP, HYDRAULIC
- 86. HYD. VALVE HOUSING
- 87. HYD. CYLINDER
- 88. LIFT CRANK
- 89. CONTROL
- 90. BOLT, STOP
- 91. HEAD, HYD. VALVE
- 92. SAFETY VALVE
- 93. SCV. TRIPLE(COUPLER)
- 94. SCV. TRIPLE
- 95. SCV. CONTROL(TRIPLE CABIN)
- 96. SCV. CONTROL(TRIPLE MAIN)
- 97. HYDRAULIC CONTROL(CABIN FLOOR)
- 98. DRAFT AND AUTO
- 99. HYDRAULIC LINE A
- 100. HYDRAULIC LINE B
- 101. HYDRAULIC FILTER
- 102. OIL COOLER

ELECTRICAL PARTS SECTION

- 103. WIRE HARNESS(COMMON A)
- 104. WIRE HARNESS(COMMON B)
- 105. WIRE HARNESS B
- 106. WIRE HARNESS F
- 107. WIRE HARNESS(NO R. PTO)
- 108. WIRE HARNESS(NO G. PTO)
- 109. WIRE HARNESS(FLOOR)

CONTENTS

MODEL : EG765,775,782-KPQ

PC NO : 0CNP4-G99000

Fig.No. GROUP NAME

- 110. WIRE HARNESS(CABIN
- 111. BATTERY
- 112. COUPLER STAY
- 113. SWITCH(CABIN FLOOR
- 114. SWITCH(MAIN
- 115. SWITCH(HI-GRIP
- 116. SWITCH(CABIN
- 117. LAMP(MAIN
- 118. LAMP(CABIN FLOOR
- 119. METER
- 120. HORN
- 121. BACKBUZZER

FITTINGS SECTION

- 122. FRONT FRAME
- 123. HOOD
- 124. HOOD SEAL
- 125. GRILLE, FRONT
- 126. DASHBOARD
- 127. LEVER GUIDE(CABIN
- 128. OVER FENDER
- 129. FLOOR SUPPORT
- 130. DRIVER SEAT
- 131. LABEL
- 132. LABEL
- 133. LABEL(SAFETY

HITCH SECTION

- 134. TOP LINK
- 135. LIFT LINK L.H.

Fig.No. GROUP NAME

- 136. LIFT CYLINDER
- 137. LOWER LINK
- 138. DRAWBAR PLATE
- 139. DRAWBAR HITCH
- 140. SWING
- 141. HYDRAULIC HOSE
- 142. SWING SENSOR
- 143. CONTROL BOX
- 144. SENSOR

CABIN SECTION

- 145. CABIN FRAME(CABIN
- 146. CABIN FRAME(MAIN
- 147. DOOR
- 148. DOOR WINDOW
- 149. FRONT WINDOW
- 150. SIDE WINDOW
- 151. REAR WINDOW
- 152. INTERIOR
- 153. CABIN SEAL(MAIN
- 154. CABIN SEAL(CABIN
- 155. ROOF
- 156. BACK MIRROR
- 157. LAMP
- 158. CABIN SWITCH
- 159. FRONT WIPER(CABIN
- 160. FRONT WIPER(MAIN
- 161. REAR WIPER
- 162. AUDIO LESS
- 163. AIR CONDITIONER(MAIN 1

CONTENTS

MODEL : EG765,775,782-KPQ

PC NO : 0CNP4-G99000

Fig.No. GROUP NAME

164. AIR CONDITIONER(MAIN 2

165. AIR CONDITIONER(CABIN

166. AIR CONDITIONER UNIT

167. AIR CONDITIONER DUCT

168. LABEL(CABIN

ACCESSORIES SECTION

169. DOCUMENT

OPTIONAL SECTION

170. OPTION(STABILIZER

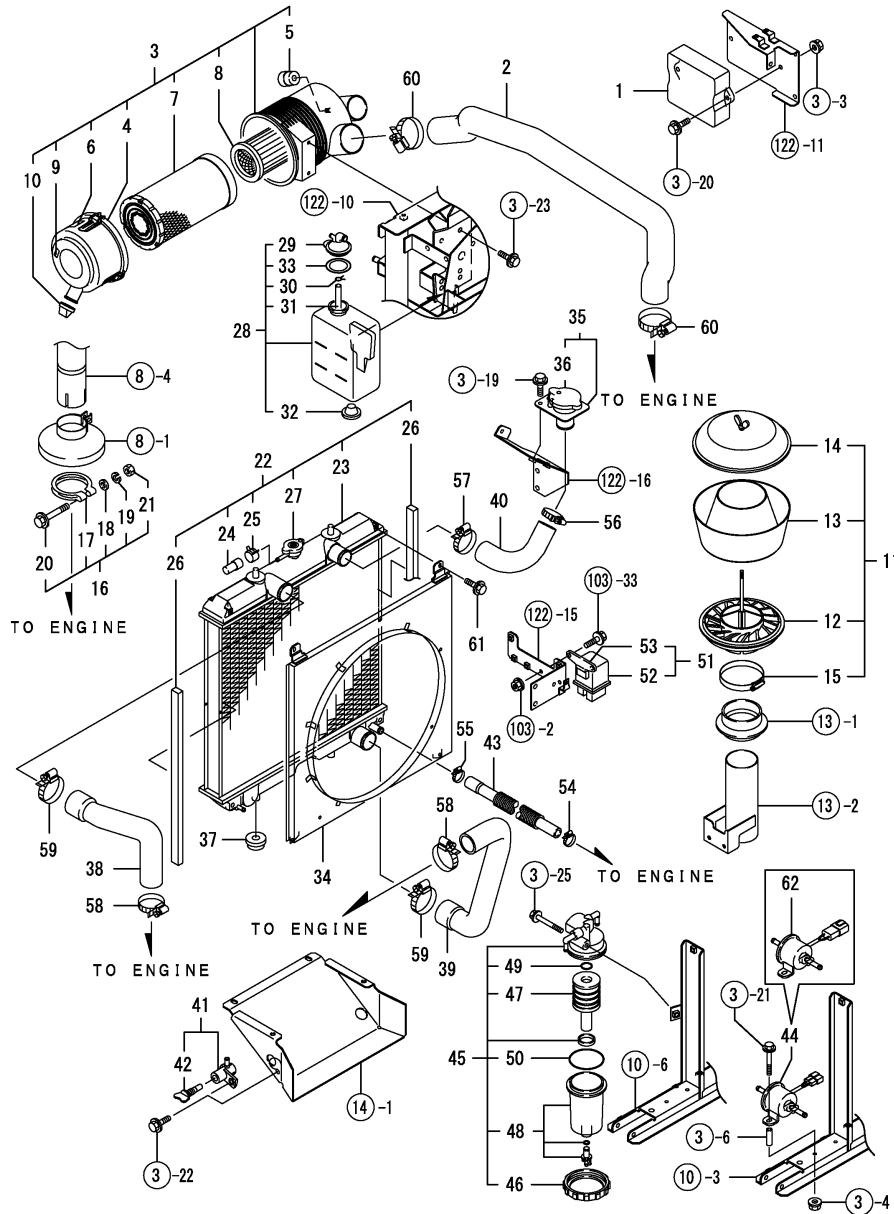
171. REPAIR PARTS(FUEL PUMP

Fig.No. GROUP NAME

Fig.1. ENGINE RELATED

(A)=EG765-KPQ
(B)=EG775-KPQ
(C)=EG782-KPQ

(D)=
(E)=
(F)=



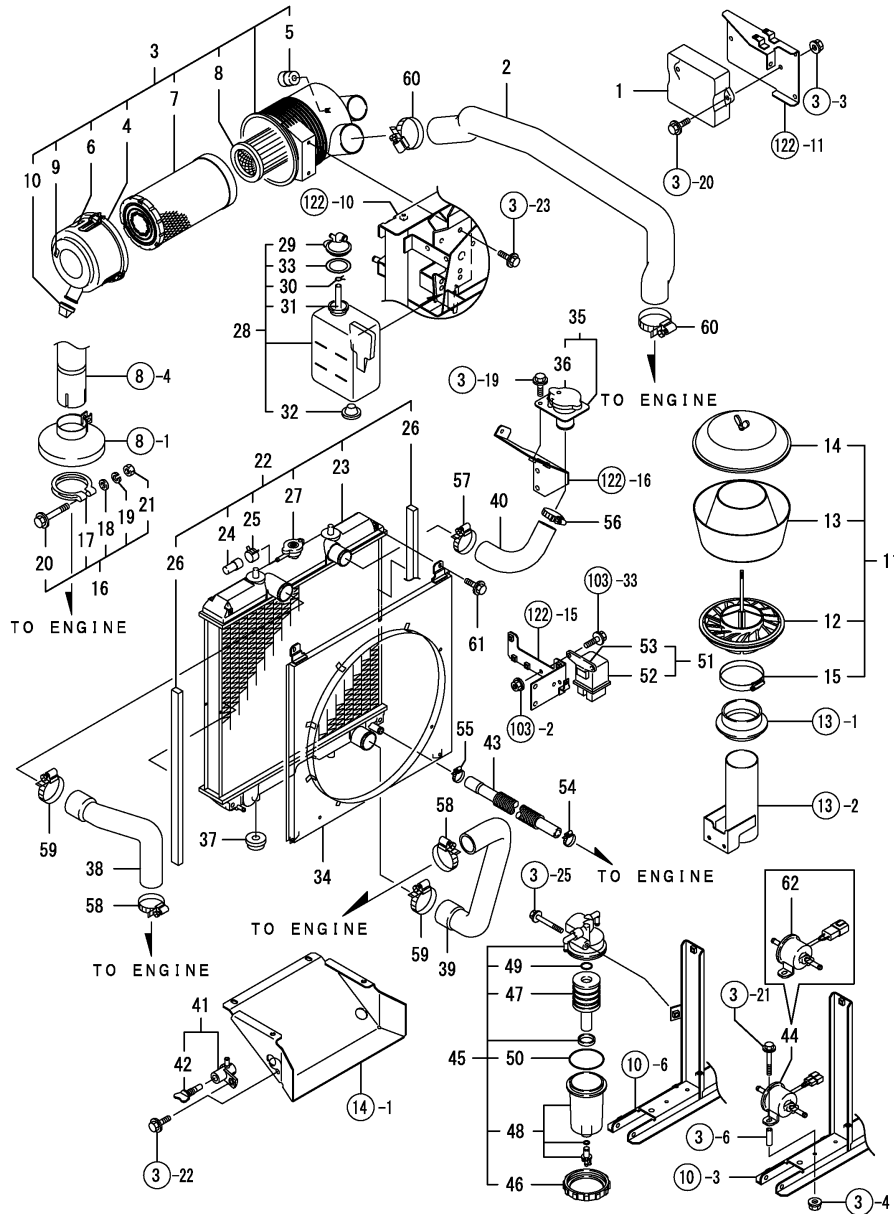
Remarks
(1) THERE IS AN ASSISTANT ARTICLE
AND REFERS TO FIG.171

REF.	LEV.	PARTS NO.	DESCRIPTION	QTY						I	R
				(A)	(B)	(C)	(D)	(E)	(F)		
1	1	1R1002-00311	ECO-GOVER CAN ASSY	1							
2	1	129963-12010	PIPE, INTAKE	1							
3	1	129963-12501	CLEANER ASSY, AIR	1							
4	2	119160-12530	COVER-ASSY	1							
5	2	119160-12540	VALVE	1							
6	2	123950-12550	LABEL	1							
7	2	119160-12560	ELEMENT	1							
8	2	119160-12570	ELEMENT, INNER	1							
9	2	129612-12650	MARKING,(W)	1							
10	2	126650-12680	INDICATOR	1							
11	1	121975-12601	PRE-CLEANER ASSY	1							
12	2	121975-12911	SLEEVE, PRE-CLEANER	1							
13	2	121975-12920	BODY, AIR CLEANER	1							
14	2	121975-12930	COVER ASSY	1							
15	2	121975-12940	CLAMP	1							
16	1	129972-13590	CLAMP,PIPE.EXH	1							
17	2	129972-13580	CLAMP,PIPE.EXH	1							
18	2	22117-100000	WASHER 10	1							
19	2	22217-100000	SPRING WASHER 10	1							
20	2	26106-100652	BOLT M10X 65 PLATED	1							
21	2	26711-100002	NUT	1							
22	1	129972-44500	RADIATOR ASSY	1							
23	2	129972-44510	SUB ASSY,RADIATOR	1							
24	2	129457-44520	CAP	1							
25	2	129457-44530	CLAMP	1							
26	2	129972-44550	SEAL,RADIATOR	2							
27	2	129972-44600	CAP	1							
28	1	129466-44510	SUBTANK	1							
29	2	121450-44531	CAP	1							
30	2	124450-44560	CLAMP	1							
31	2	121267-44590	PIPE	1							
32	2	121468-44540	PLUG, SUB-TANK	1							
33	2	121470-44581	GASKET	1							
34	1	129972-44580	SHLAUD	1							
35	1	171090-44600	CAP,RADIATOR	1							
36	2	119259-44570	CAP, RADIATOR	1							
37	1	119255-44660	RUBBER	2							
38	1	129972-49010	PIPE,COOLING WATER	1							
39	1	129972-49020	PIPE,COOLING WATER	1							
40	1	129972-49030	PIPE,COOLING WATER	1							
41	1	129550-49101	COCK ASSY, 2-WAY	1							
42	2	129150-49081	COCK, DRAIN	1							
43	1	129972-49150	PIPE,COOLING WATER	1							
44	1	119225-52102	PUMP ASSY, FUEL FEED	1							Z 1
(A=F000499)											
45	1	129906-55700	SEPARATOR ASSY	1							
46	2	129100-55690	RING, RETAINING	1							
47	2	119802-55710	ELEMENT	1							
48	2	119802-55730	CUP ASSY(SERVICE PAR	1							
49	2	24311-000160	O-RING 1A P-16.0	1							
50	2	24321-000650	O-RING 1A G-65.0	1							

Fig.1. ENGINE RELATED

(A)=EG765-KPQ
(B)=EG775-KPQ
(C)=EG782-KPQ

(D)=
(E)=
(F)=



REF.	LEV.	PARTS NO.	DESCRIPTION	QTY						I	R
				(A)	(B)	(C)	(D)	(E)	(F)		
51	1	119650-77910	RELAY, GROW	1							
52	2	129052-77920	BODY, RELAY	1							
53	2	119650-77930	BRACKET, RELAY	1							
54	1	23000-022000	CLAMP 22	1							
55	1	23000-025000	CLAMP 25	1							
56	1	23000-041000	CLAMP 41	1							
57	1	23000-048000	CLAMP 48	1							
58	1	23000-048000	CLAMP 48	2							
59	1	23000-054000	CLAMP 54	2							
60	1	23000-080000	CLAMP 80	2							
61	1	26106-060122	BOLT M 6X 12 PLATED	4							
62	1	129612-52100	PUMP, FUEL FEED	1							W 1

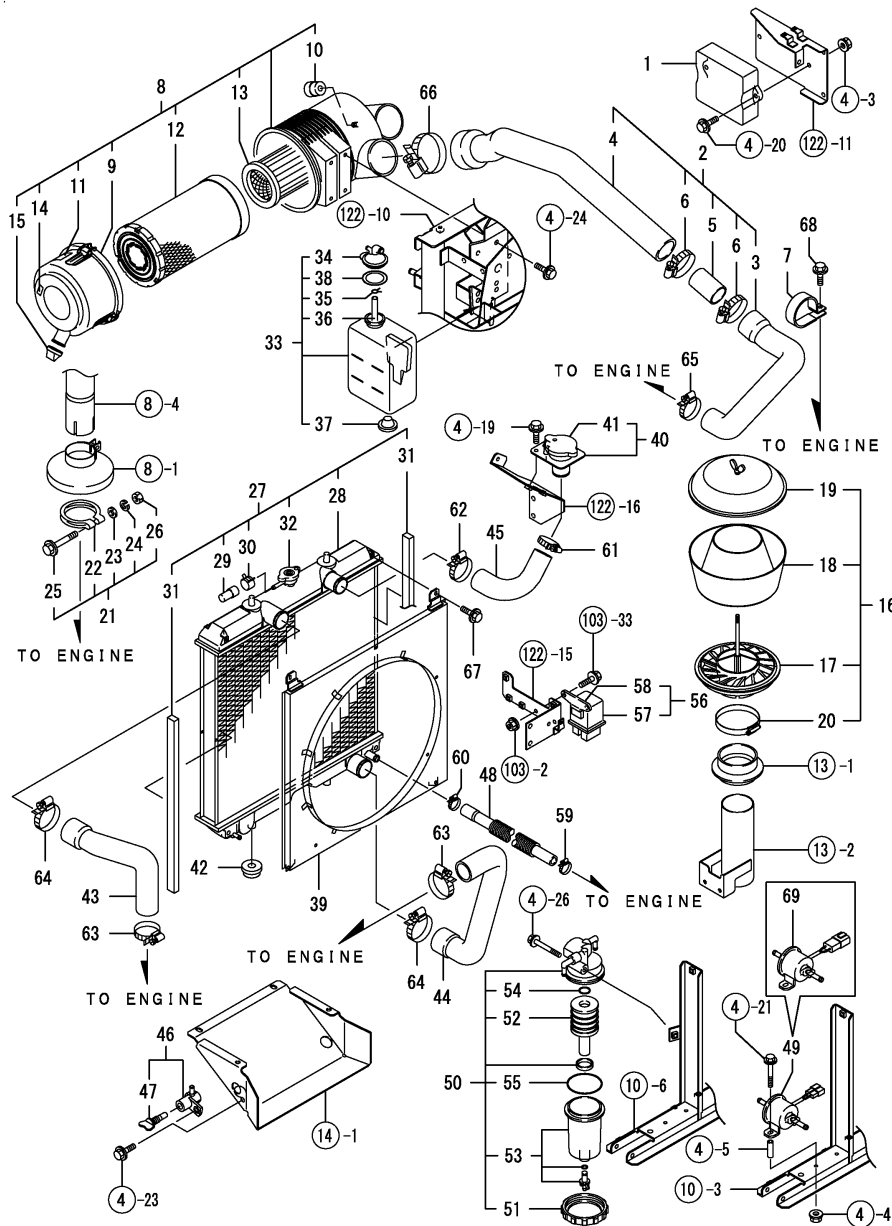
(A=F000499)

Remarks

(1) THERE IS AN ASSISTANT ARTICLE
AND REFERS TO FIG.171

N:Old $\xrightarrow{\text{Yes}}$ New, Q:Old $\xrightarrow{\text{No}}$ New, R:Old $\xrightarrow{\text{Yes}}$ New, S:Old $\xrightarrow{\text{No}}$ New, W:Add, Z:Discontinued, F:Interchangeable by set, K:Q'ty Change

Fig.2. ENGINE RELATED



Remarks
 (1) THERE IS AN ASSISTANT ARTICLE
 AND REFERS TO FIG.171

(A)=EG765-KPQ
 (B)=EG775-KPQ
 (C)=EG782-KPQ

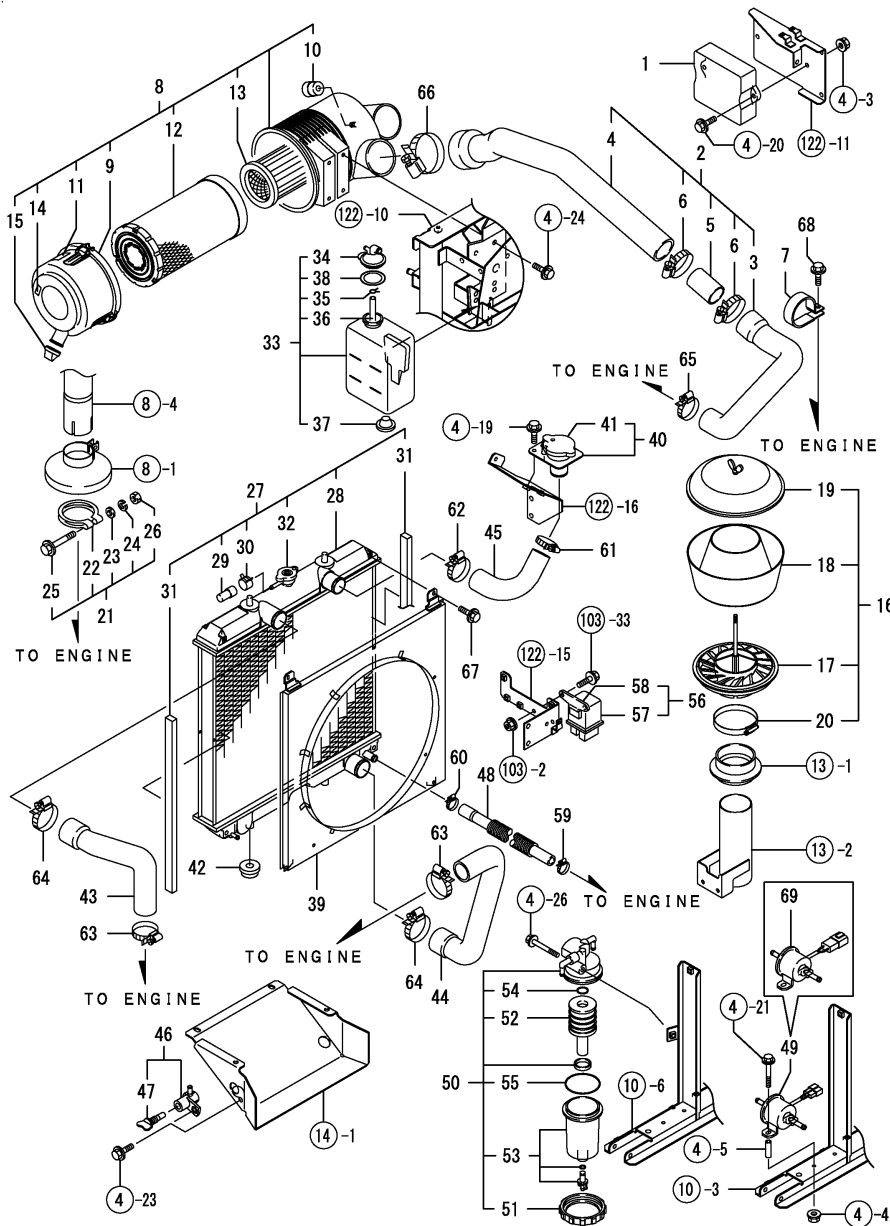
(D)=
 (E)=
 (F)=

REF.	LEV.	PARTS NO.	DESCRIPTION	QTY						I	R
				(A)	(B)	(C)	(D)	(E)	(F)		
1	1	1R1002-00311	ECO-GOVER CAN ASSY		1	1					
2	1	129972-12010	PIPE ASSY,INTAKE		1	1					
3	2	129972-12060	PIPE, INTAKE		1	1					
4	2	129972-12070	PIPE, INTAKE		1	1					
5	2	129972-12080	PIPE		1	1					
6	2	23000-075000	CLAMP 75		2	2					
7	1	119017-12100	REST,SUC.PIPE STEADY		1	1					
8	1	129972-12501	CLEANER ASSY, AIR		1	1					
9	2	123950-12520	COVER		1	1					
10	2	119160-12540	VALVE		1	1					
11	2	123950-12550	LABEL		1	1					
12	2	119117-12560	ELEMENT		1	1					
13	2	119117-12570	ELEMENT,INNER		1	1					
14	2	129612-12650	MARKING,(W)		1	1					
15	2	126650-12680	INDICATOR		1	1					
16	1	121975-12601	PRE-CLEANER ASSY		1	1					
17	2	121975-12911	SLEEVE, PRE-CLEANER		1	1					
18	2	121975-12920	BODY, AIR CLEANER		1	1					
19	2	121975-12930	COVER ASSY		1	1					
20	2	121975-12940	CLAMP		1	1					
21	1	129972-13590	CLAMP,PIPE,EXH		1	1					
22	2	129972-13580	CLAMP,PIPE,EXH		1	1					
23	2	22117-100000	WASHER 10		1	1					
24	2	22217-100000	SPRING WASHER 10		1	1					
25	2	26106-100652	BOLT M10X 65 PLATED		1	1					
26	2	26711-100002	NUT		1	1					
27	1	129972-44500	RADIATOR ASSY		1	1					
28	2	129972-44510	SUB ASSY,RADIATOR		1	1					
29	2	129457-44520	CAP		1	1					
30	2	129457-44530	CLAMP		1	1					
31	2	129972-44550	SEAL,RADIATOR		2	2					
32	2	129972-44600	CAP		1	1					
33	1	129466-44510	SUBTANK		1	1					
34	2	121450-44531	CAP		1	1					
35	2	124450-44560	CLAMP		1	1					
36	2	121267-44590	PIPE		1	1					
37	2	121468-44540	PLUG, SUB-TANK		1	1					
38	2	121470-44581	GASKET		1	1					
39	1	129972-44580	SHLAUD		1	1					
40	1	171090-44600	CAP,RADIATOR		1	1					
41	2	119259-44570	CAP, RADIATOR		1	1					
42	1	119255-44660	RUBBER		2	2					
43	1	129972-49010	PIPE,COOLING WATER		1	1					
44	1	129972-49020	PIPE,COOLING WATER		1	1					
45	1	129972-49030	PIPE,COOLING WATER		1	1					
46	1	129550-49101	COCK ASSY, 2-WAY		1	1					
47	2	129150-49081	COCK, DRAIN		1	1					
48	1	129972-49150	PIPE,COOLING WATER		1	1					
49	1	119225-52102	PUMP ASSY, FUEL FEED		1	1					Z 1
50	1	129906-55700	SEPARATOR ASSY		1	1					

Fig.2. ENGINE RELATED

(A)=EG765-KPQ
(B)=EG775-KPQ
(C)=EG782-KPQ

(D)=
(E)=
(F)=

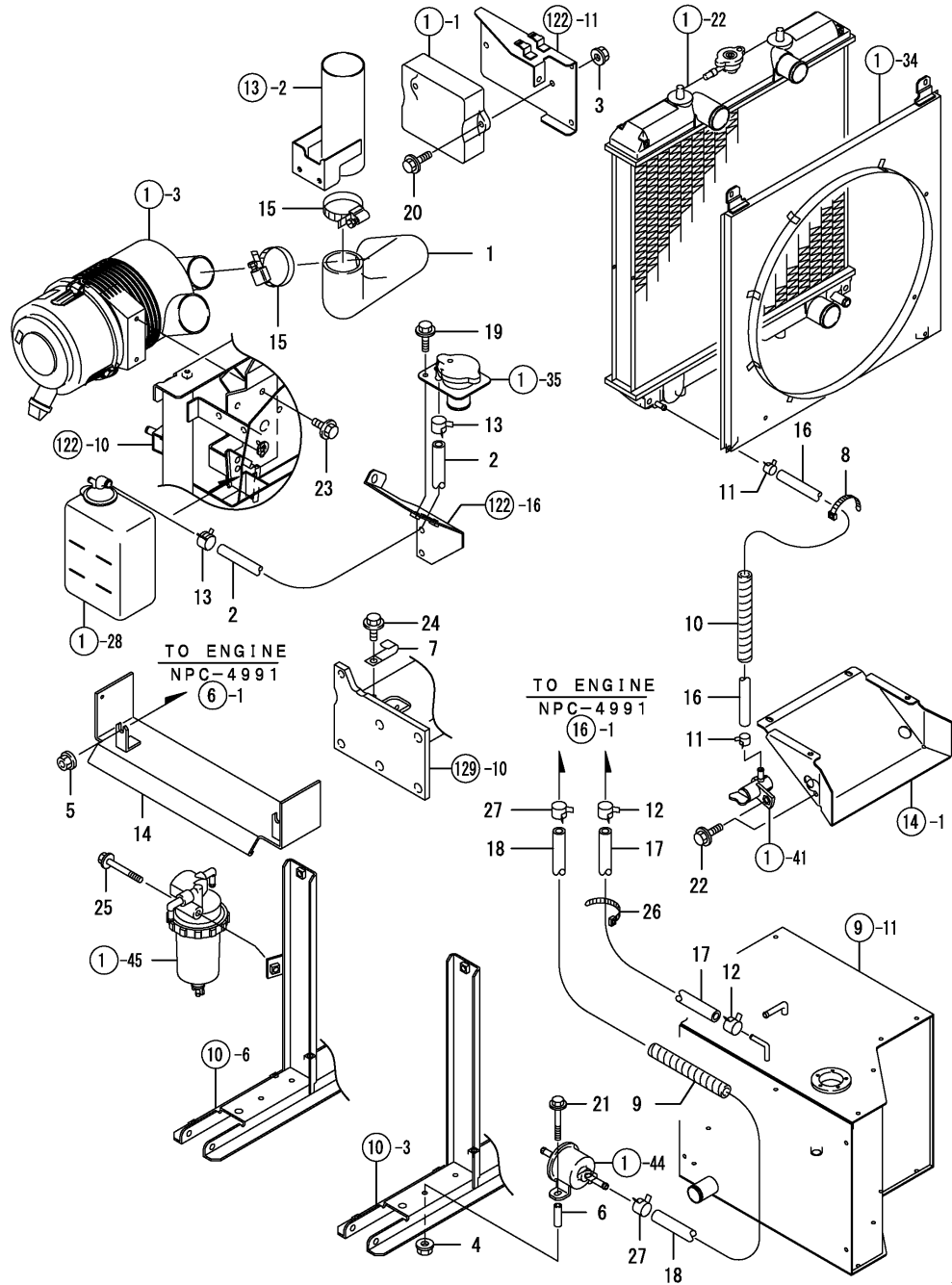


REF.	LEV.	PARTS NO.	DESCRIPTION	QTY						I	R
				(A)	(B)	(C)	(D)	(E)	(F)		
51	2	129100-55690	RING, RETAINING		1	1					
52	2	119802-55710	ELEMENT		1	1					
53	2	119802-55730	CUP ASSY(SERVICE PAR		1	1					
54	2	24311-000160	O-RING 1A P-16.0		1	1					
55	2	24321-000650	O-RING 1A G-65.0		1	1					
56	1	119650-77910	RELAY, GROW		1	1					
57	2	129052-77920	BODY, RELAY		1	1					
58	2	119650-77930	BRACKET, RELAY		1	1					
59	1	23000-022000	CLAMP 22		1	1					
60	1	23000-025000	CLAMP 25		1	1					
61	1	23000-041000	CLAMP 41		1	1					
62	1	23000-048000	CLAMP 48		1	1					
63	1	23000-048000	CLAMP 48		2	2					
64	1	23000-054000	CLAMP 54		2	2					
65	1	23000-060000	CLAMP 60		1	1					
66	1	23000-102000	CLAMP 102,HOSE		1	1					
67	1	26106-060122	BOLT M 6X 12 PLATED		4	4					
68	1	26106-060122	BOLT M 6X 12 PLATED		1	1					
69	1	129612-52100	PUMP, FUEL FEED		1	1					W 1
		(B=F000681)	(C=F051049)								

Remarks

(1) THERE IS AN ASSISTANT ARTICLE AND REFERS TO FIG.171

Fig.3. ENGINE PARTS

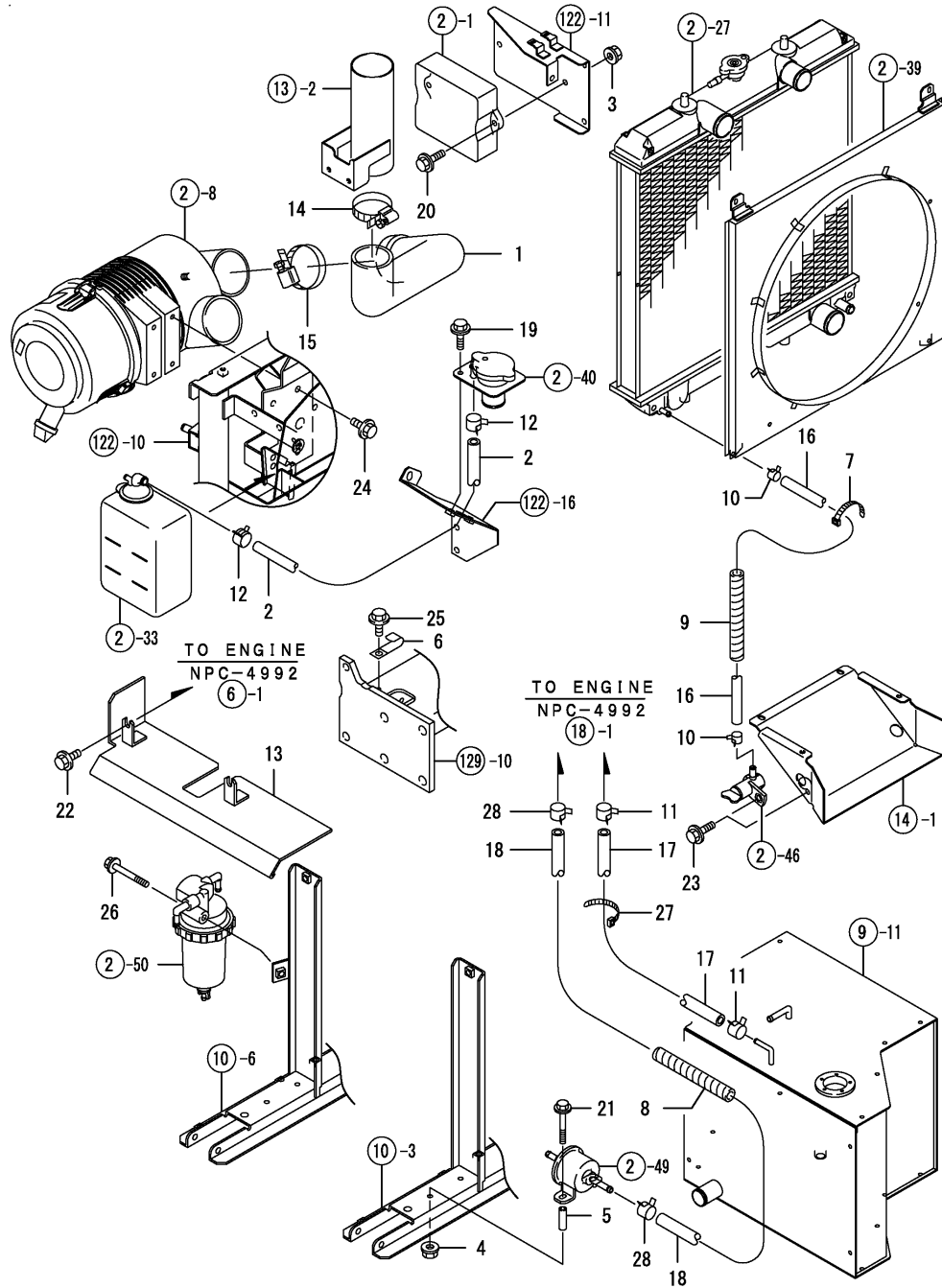


(A)=EG765-KPQ
 (B)=EG775-KPQ
 (C)=EG782-KPQ

(D)=
 (E)=
 (F)=

REF.	LEV.	PARTS NO.	DESCRIPTION	QTY						I	R
				(A)	(B)	(C)	(D)	(E)	(F)		
1	1	1A7450-06100	HOSE, PRE-CLEANER	1							
2	1	1A7450-06150	PIPE, OVERFLOW	1							
3	1	194990-22130	NUT W/WASHER 6								
4	1	194990-22130	NUT W/WASHER 6	2							
5	1	194990-22140	NUT W/WASHER 8	2							
6	1	195715-22590	COLLER, LEVER STAY	2							
7	1	198448-51460	CLAMP, HARNESS B	1							
8	1	198448-51910	CLIP,BAND	1							
9	1	198133-52170	PIPE 13, CORRUGAT	1							
10	1	198133-52170	PIPE 13, CORRUGAT	1							
11	1	124766-59050	CLAMP 12	2							
12	1	124766-59050	CLAMP 12	2							
13	1	124766-59050	CLAMP 12	2							
14	1	198448-60960	COVER, STARTER	1							
15	1	23000-102000	CLAMP 102,HOSE	2							
16	1	23980-730400	FUEL PIPE 7.3X400	1							
17	1	23980-730900	FUEL PIPE 7.3X 900	1							
18	1	23980-731300	FUEL PIPE 7.3X1300	1							
19	1	26106-060122	BOLT M 6X 12 PLATED	2							
20	1	26106-060202	BOLT M 6X 20 PLATED	2							
21	1	26106-060452	BOLT M 6X 45 PLATED	2							
22	1	26106-080162	BOLT M 8X 16 PLATED	1							
23	1	26106-080162	BOLT M 8X 16 PLATED	2							
24	1	26106-080162	BOLT M 8X 16 PLATED	1							
25	1	26106-080652	BOLT M 8X 65 PLATED	1							
26	1	29622-250001	BAND RF 250	1							
27	1	124766-59050	CLAMP 12	2							

Fig.4. ENGINE PARTS



OCNP4-G99000 4. ENGINE PARTS

(A)=EG765-KPQ
 (B)=EG775-KPQ
 (C)=EG782-KPQ

(D)=
 (E)=
 (F)=

REF.	LEV.	PARTS NO.	DESCRIPTION	QTY						I	R
				(A)	(B)	(C)	(D)	(E)	(F)		
1	1	1A7460-06100	HOSE, PRE-CLEANER	1	1						
2	1	1A7450-06150	PIPE, OVERFLOW	1	1						
3	1	194990-22130	NUT W/WASHER 6	2	2						
4	1	194990-22130	NUT W/WASHER 6	2	2						
5	1	195715-22590	COLLER, LEVER STAY	2	2						
6	1	198448-51460	CLAMP, HARNESS B	1	1						
7	1	198448-51910	CLIP,BAND	1	1						
8	1	198133-52170	PIPE 13, CORRUGAT	1	1						
9	1	198133-52170	PIPE 13, CORRUGAT	1	1						
10	1	124766-59050	CLAMP 12	2	2						
11	1	124766-59050	CLAMP 12	2	2						
12	1	124766-59050	CLAMP 12	2	2						
13	1	1A7460-60960	COVER, STARTER	1	1						
14	1	23000-102000	CLAMP 102,HOSE	1	1						
15	1	23000-115000	CLAMP 115	1	1						
16	1	23980-730400	FUEL PIPE 7.3X400	1	1						
17	1	23980-730900	FUEL PIPE 7.3X 900	1	1						
18	1	23980-731300	FUEL PIPE 7.3X1300	1	1						
19	1	26106-060122	BOLT M 6X 12 PLATED	2	2						
20	1	26106-060202	BOLT M 6X 20 PLATED	2	2						
21	1	26106-060452	BOLT M 6X 45 PLATED	2	2						
22	1	26106-080122	BOLT M 8X 12 PLATED	2	2						
23	1	26106-080162	BOLT M 8X 16 PLATED	1	1						
24	1	26106-080162	BOLT M 8X 16 PLATED	4	4						
25	1	26106-080162	BOLT M 8X 16 PLATED	1	1						
26	1	26106-080652	BOLT M 8X 65 PLATED	1	1						
27	1	29622-250001	BAND RF 250	1	1						
28	1	124766-59050	CLAMP 12	2	2						

Fig.5. ACCEL SENSOR

0CNP4-G99000 5. ACCEL SENSOR

(A)=EG765-KPQ
 (B)=EG775-KPQ
 (C)=EG782-KPQ

(D)=
 (E)=
 (F)=

REF.	LEV.	PARTS NO.	DESCRIPTION	QTY						I	R
				(A)	(B)	(C)	(D)	(E)	(F)		
1	1	198448-01390	SENSOR COMP.,ACCEL	1	1	1					
2	2	198448-04810	ARM, ACCEL SENSOR	1	1	1					
3	2	198448-04840	BRACKET, SENSOR	1	1	1					
4	2	194990-22130	NUT W/WASHER 6	1	1	1					
5	2	119060-61990	SPRING, RETURN	1	1	1					
6	2	129054-77800	SENSOR COMP.,ACCEL	1	1	1					
7	3	185100-50070	BODY	1	1	1					
8	3	129054-77811	SUPPORT	1	1	1					
9	3	129054-77820	GASKET, SUPPORT	1	1	1					
10	3	129054-77830	SHAFT ASY	1	1	1					
11	3	24311-000070	O-RING 1A P-7.0	1	1	1					
12	3	26023-040202	SCREW M 4X 20	2	2	2					
13	2	26106-060122	BOLT M 6X 12 PLATED	2	2	2					
14	1	26106-060122	BOLT M 6X 12 PLATED	2	2	2					

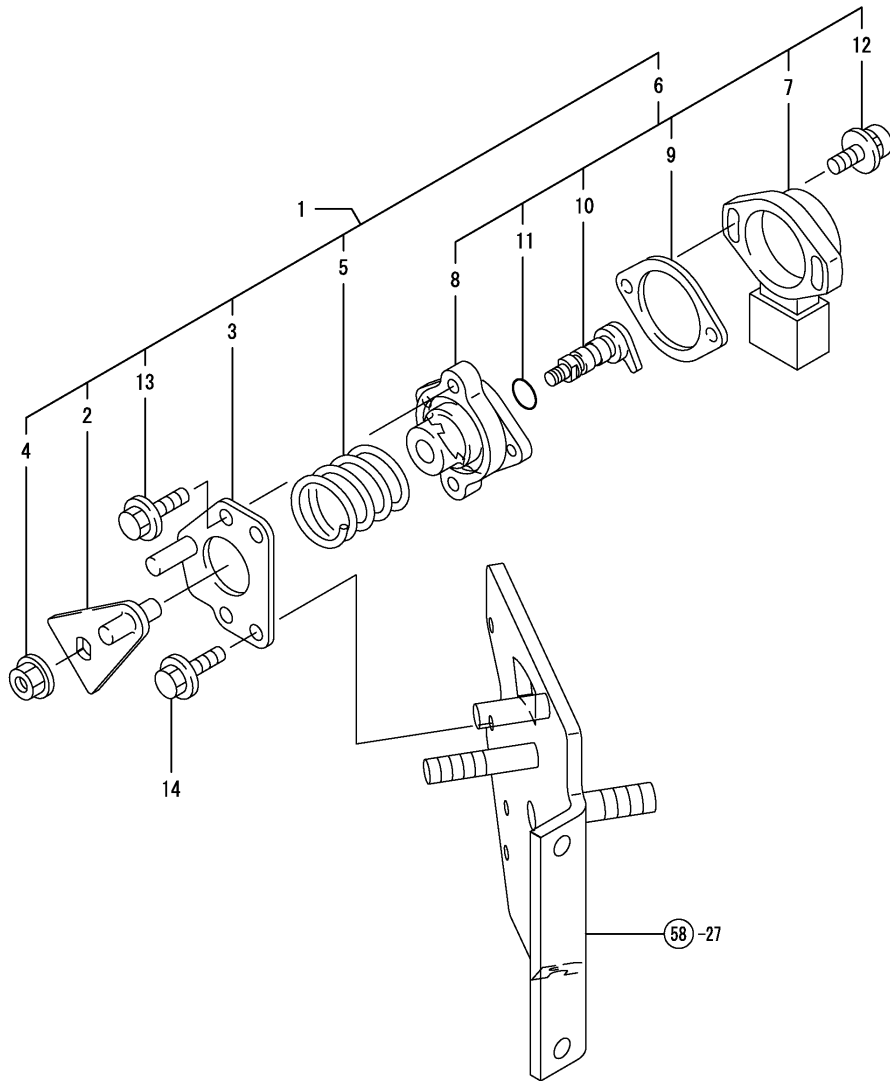
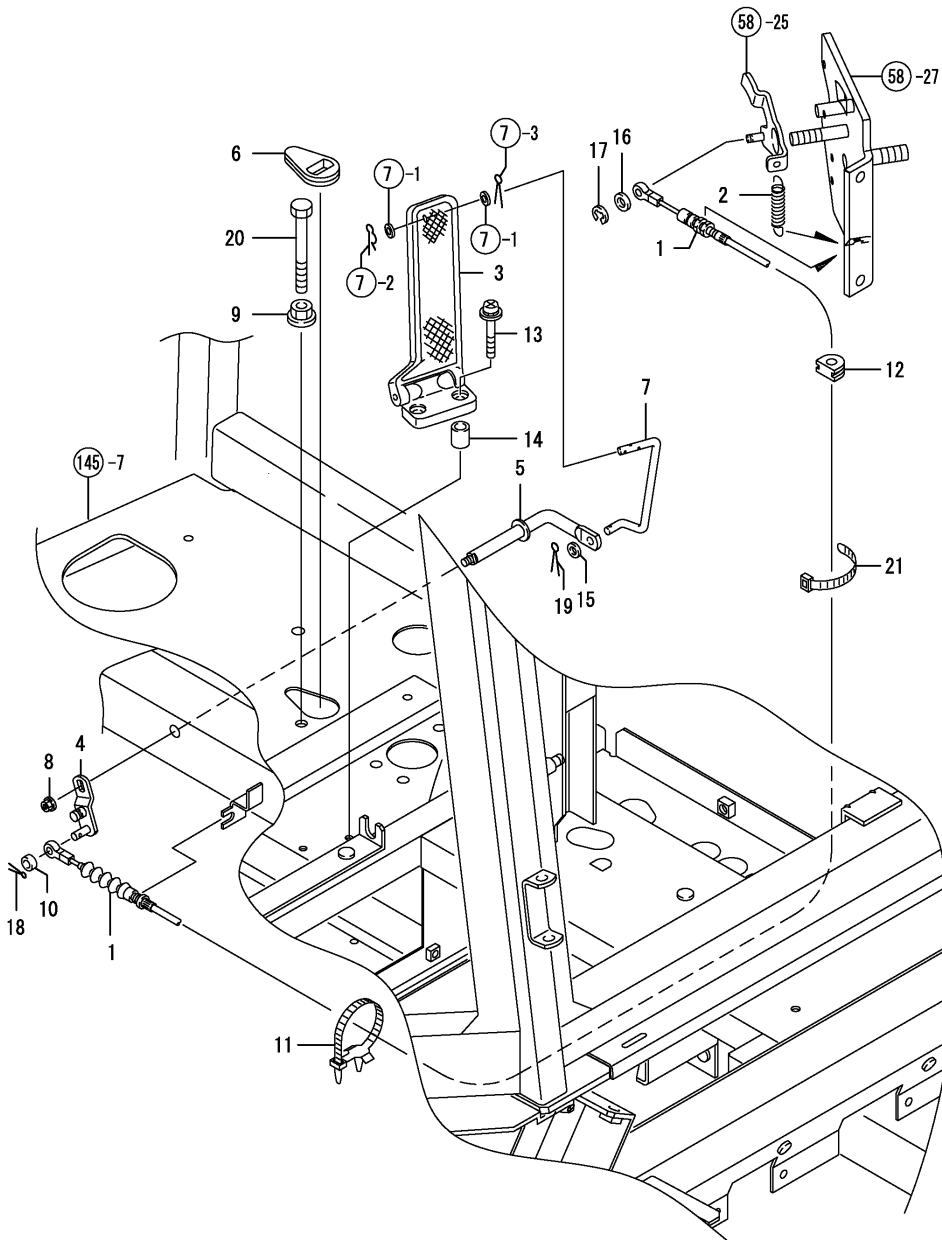


Fig.6. FOOT AXLE(CABIN FLOOR

(A)=EG765-KPQ
 (B)=EG775-KPQ
 (C)=EG782-KPQ

(D)=
 (E)=
 (F)=



REF.	LEV.	PARTS NO.	DESCRIPTION	QTY						I	R
				(A)	(B)	(C)	(D)	(E)	(F)		
1	1	198268-01151	CABLE ASSY, CONTROL	1	1	1					
2	1	1A7790-01160	SPRING, RETURN	1	1	1					
3	1	1A7480-01200	FEDAL, FOOT THROTTLE	1	1	1					
4	1	198071-01340	ARM,ACCELERATOR ASSY	1	1	1					
5	1	1A7450-01340	ROD,ACCELERATOR	1	1	1					
6	1	198071-01390	GROMMET	1	1	1					
7	1	1A7480-01410	ROD,FOOT ACCELERATOR	1	1	1					
8	1	194990-22130	NUT W/WASHER 6	1	1	1					
9	1	194990-22140	NUT W/WASHER 8	1	1	1					
10	1	1C6215-48870	COLLAR 6.5X10.5X4.2	1	1	1					
11	1	194680-51670	BAND	1	1	1					
12	1	198071-56290	GROMMET	1	1	1					
13	1	194065-60570	SCREW M 6X 40	2	2	2					
14	1	194151-63250	COLLAR	2	2	2					
15	1	22137-060000	WASHER 6, POLISHED	1	1	1					
16	1	22137-060000	WASHER 6, POLISHED	1	1	1					
17	1	22272-000040	CIRCLIP E- 4	1	1	1					
18	1	22417-160180	COTTER PIN 1.6X18	1	1	1					
19	1	22417-160180	COTTER PIN 1.6X18	1	1	1					
20	1	26116-080754	BOLT M 8X 75 PLATED	1	1	1					
21	1	29622-100001	BAND, 100	1	1	1					

Fig.7. FOOT AXLE(MAIN

0CNP4-G99000 7. FOOT AXLE(MAIN

(A)=EG765-KPQ
 (B)=EG775-KPQ
 (C)=EG782-KPQ

(D)=
 (E)=
 (F)=

REF.	LEV.	PARTS NO.	DESCRIPTION	Q'TY						I	R
				(A)	(B)	(C)	(D)	(E)	(F)		
1	1	22137-060000	WASHER 6, POLISHED	2	2	2					
2	1	22372-060000	SNAP PIN 6	1	1	1					
3	1	22417-160180	COTTER PIN 1.6X18	1	1	1					

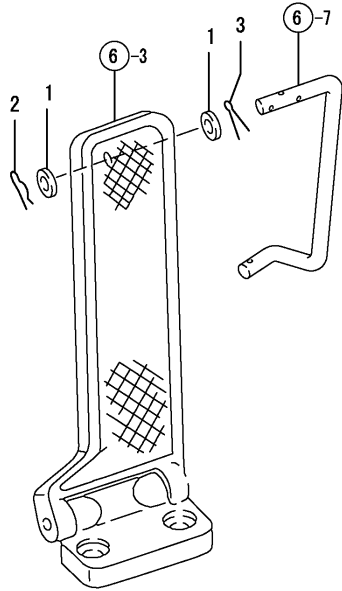
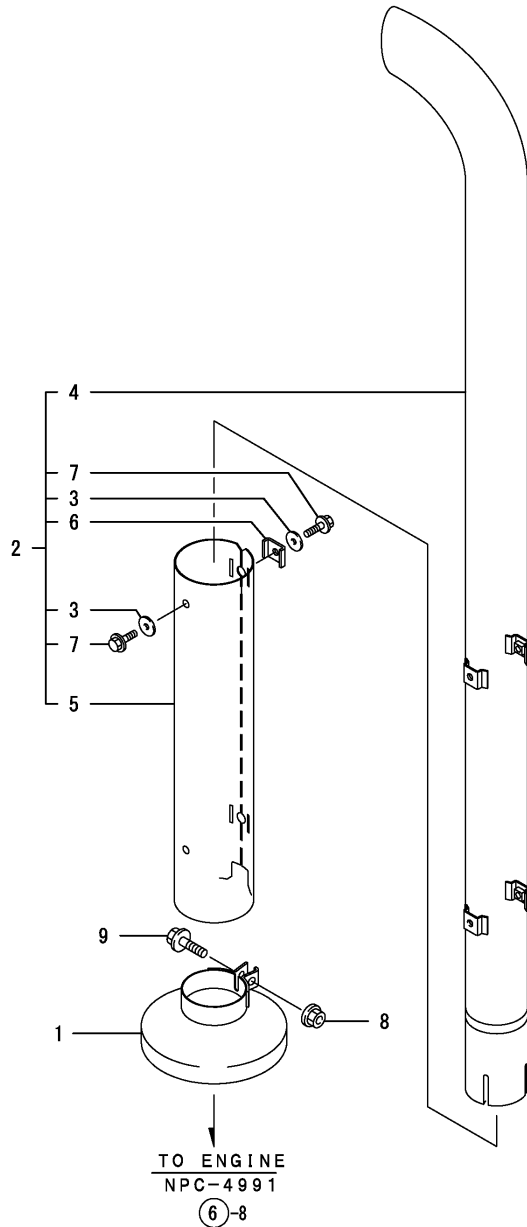


Fig.8. EXHAUST

0CNP4-G99000 8. EXHAUST

(A)=EG765-KPQ
 (B)=EG775-KPQ
 (C)=EG782-KPQ

(D)=
 (E)=
 (F)=

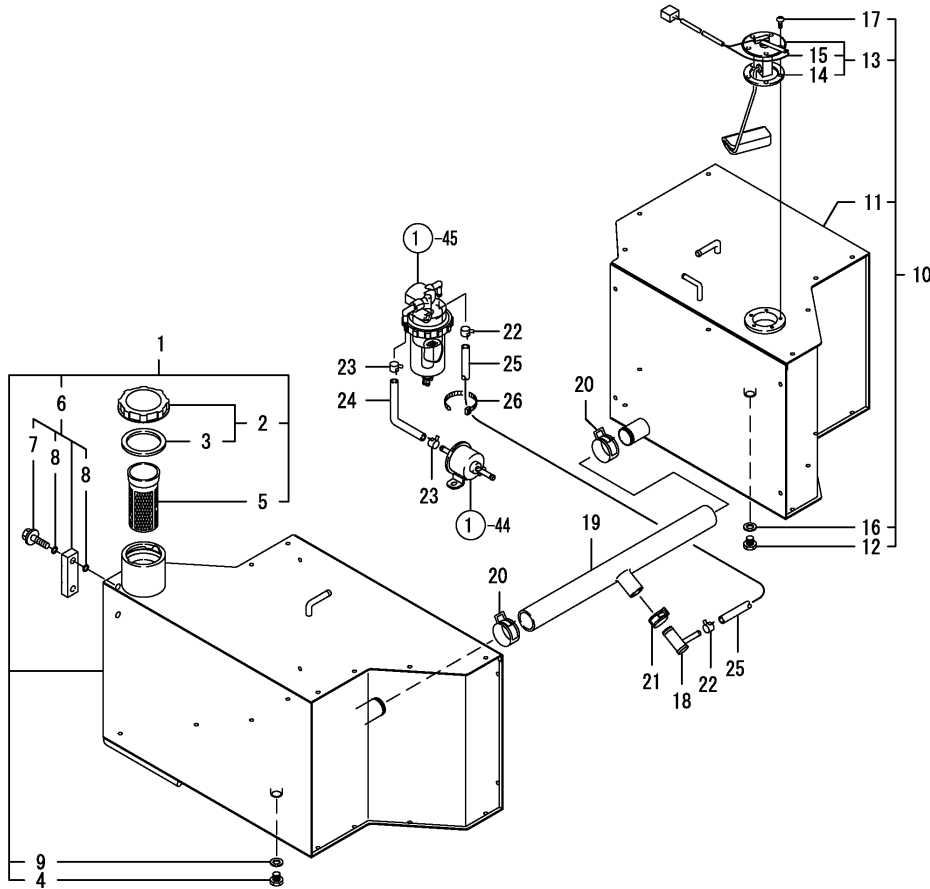


REF.	LEV.	PARTS NO.	DESCRIPTION	Q'TY						I	R
				(A)	(B)	(C)	(D)	(E)	(F)		
1	1	1A7450-03110	COVER, EXHAUST PIPE	1	1	1					
2	1	1A7450-03200	PIPE ASSY, EXHAUST	1	1	1					
3	2	194515-01190	WASHER 6	4	4	4					
4	2	1A7450-03100	PIPE, EXHAUST	1	1	1					
5	2	1A7450-03130	COVER, EXHAUST PIPE	1	1	1					
6	2	198463-03140	STAY, COVER	2	2	2					
7	2	1A7450-03170	BOLT, M6X10	4	4	4					
8	1	194990-22140	NUT W/WASHER 8	1	1	1					
9	1	26106-080302	BOLT M 8X 30 PLATED	1	1	1					

Fig.9. FUEL OIL TANK

(A)=EG765-KPQ
 (B)=EG775-KPQ
 (C)=EG782-KPQ

(D)=
 (E)=
 (F)=

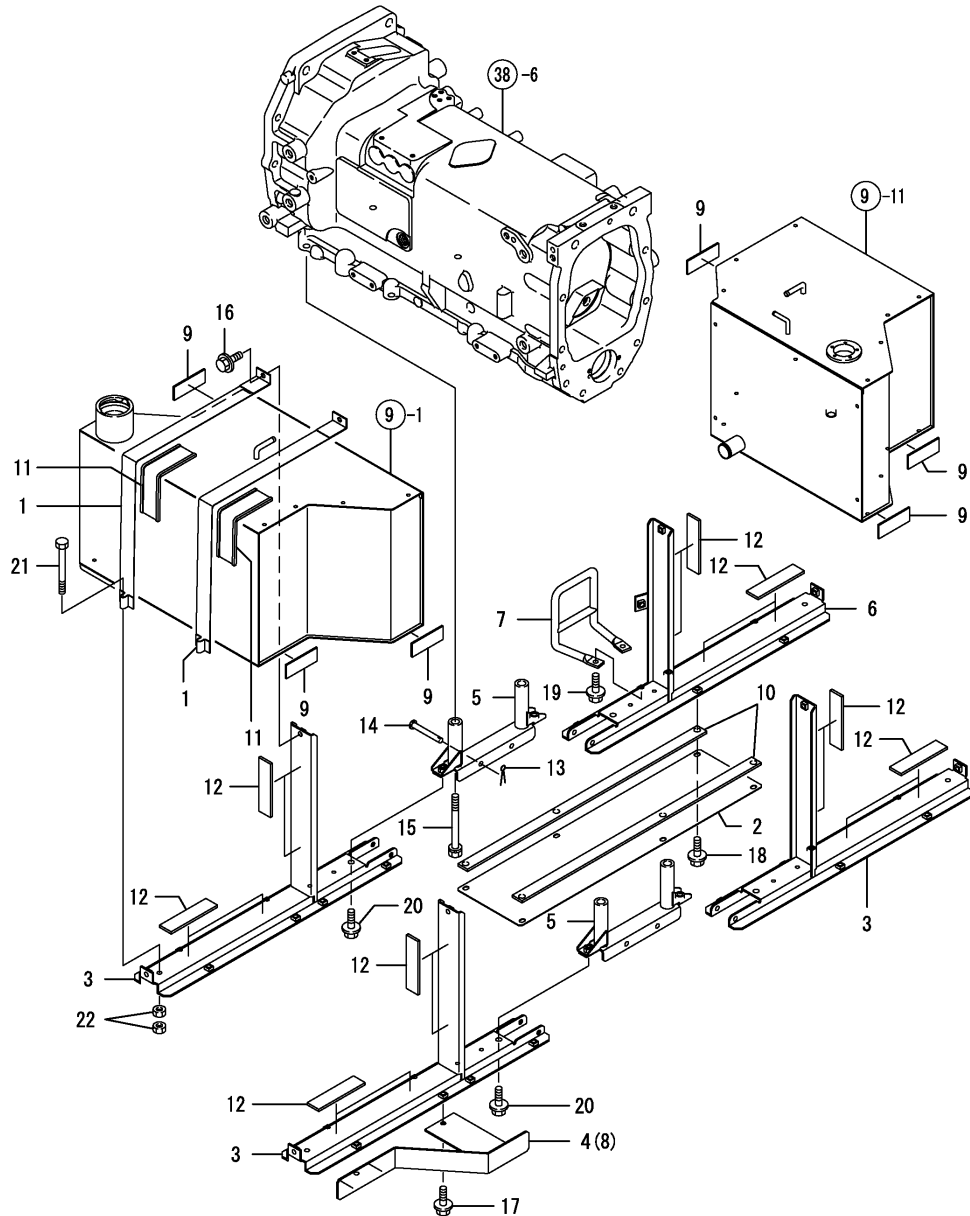


REF.	LEV.	PARTS NO.	DESCRIPTION	QTY						I	R
				(A)	(B)	(C)	(D)	(E)	(F)		
1	1	1A7480-04020	TANK & CAP M ASSY,	1	1	1					
2	2	1A7450-04400	CAP ASSY,FUEL TANK	1	1	1					
3	3	198153-04290	GASKET	1	1	1					
4	2	104200-55080	PLUG, DRAIN	1	1	1					
5	2	101504-55101	STRAINER,FUEL INLET	1	1	1					
6	2	172447-75600	GAUGE	1	1	1					
7	3	172455-75290	BOLT M10	2	2	2					
8	3	172455-75300	O-RING	4	4	4					
9	2	23414-120000	GASKET 12, ROUND	1	1	1					
10	1	1A7450-04150	TANK & GAUGE ASSY,	1	1	1					
11	2	1A7450-04210	TANK ASSY, FUEL R.H.	1	1	1					
12	2	104200-55080	PLUG, DRAIN	1	1	1					
13	2	198268-56600	FUEL GAUGE COMPL.	1	1	1					
14	3	194420-56620	GASKET	1	1	1					
15	3	198240-56630	WIRE	1	1	1					
16	2	23414-120000	GASKET 12, ROUND	1	1	1					
17	2	26557-050122	SCREW M 5X 12	5	5	5					
18	1	198071-04331	PIPE COMP.,SUCTION	1	1	1					
19	1	1A7450-04490	HOSE, FUEL	1	1	1					
20	1	1A7890-04740	CLIP,HOSE	2	2	2					
21	1	175022-49700	CRIP 23, HOSE	1	1	1					
22	1	124766-59050	CLAMP 12	2	2	2					
23	1	124766-59050	CLAMP 12	2	2	2					
24	1	23980-730370	FUEL PIPE 7.3X370	1	1	1					
25	1	23980-730600	FUEL PIPE 7.3X600	1	1	1					
26	1	29622-140001	BAND 140	1	1	1					

Fig.10. TANK FRAME

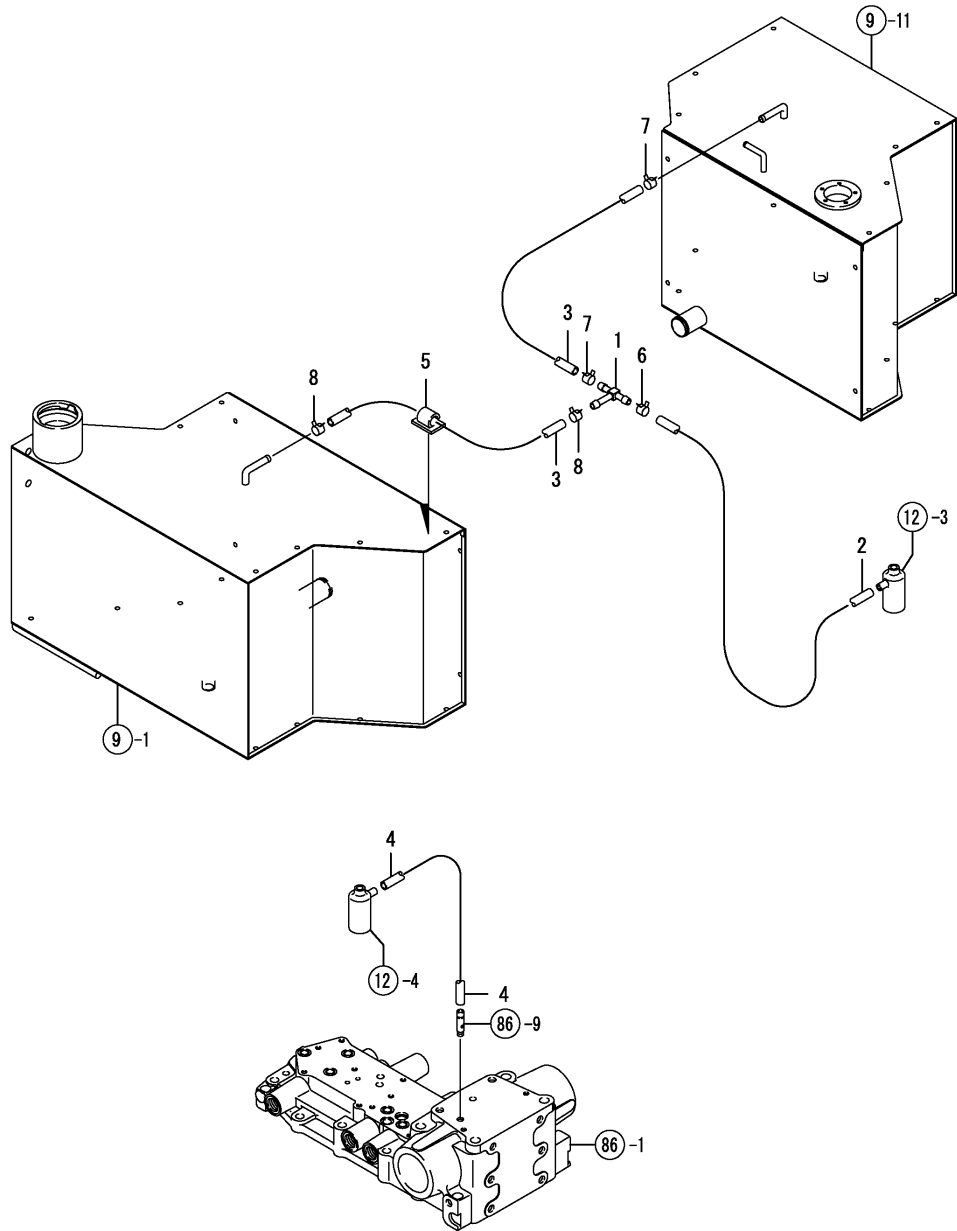
(A)=EG765-KPQ
 (B)=EG775-KPQ
 (C)=EG782-KPQ

(D)=
 (E)=
 (F)=



REF.	LEV.	PARTS NO.	DESCRIPTION	QTY						I	R
				(A)	(B)	(C)	(D)	(E)	(F)		
1	1	174845-04320	BAND, TANK	4	4	4					
2	1	1A7450-04480	COVER, UNDER	1	1	1					
3	1	1A7450-04500	FRAME ASSY, TANK A	3	3	3					
4	1	1A7450-04530	STOPPER, TANK REAR L	1	1	1					
5	1	1A7450-04560	STAY, TANK	2	2	2					
6	1	1A7450-04590	FRAME ASSY, TANK B	1	1	1					
7	1	1A7450-04600	GUARD, SEPARATOR	1	1	1					
8	1	1A7450-04630	STOPPER, TANK REAR R	1	1	1					
9	1	1A7450-04650	RUBBER, TANK CUSHION	6	6	6					
10	1	1A7450-04660	SEAL, UNDER COVER	2	2	2					
11	1	198153-04670	CLAMP	4	4	4					
12	1	198153-51510	SPACER (RUBBER)	16	16	16					
13	1	22417-200300	COTTER PIN 2.0X30	4	4	4					
14	1	22487-080550	PIN 8X 55	4	4	4					
15	1	26013-121202	BOLT 12X120 W/SP.WSH	4	4	4					
16	1	26106-080162	BOLT M 8X 16 PLATED	4	4	4					
17	1	26106-080162	BOLT M 8X 16 PLATED	4	4	4					
18	1	26106-080162	BOLT M 8X 16 PLATED	6	6	6					
19	1	26106-080162	BOLT M 8X 16 PLATED	2	2	2					
20	1	26106-100202	BOLT M10X 20 PLATED	4	4	4					
21	1	26116-080654	BOLT M8X 65	4	4	4					
22	1	26716-080002	NUT M 8	8	8	8					

Fig.11. BREATHER(MAIN)



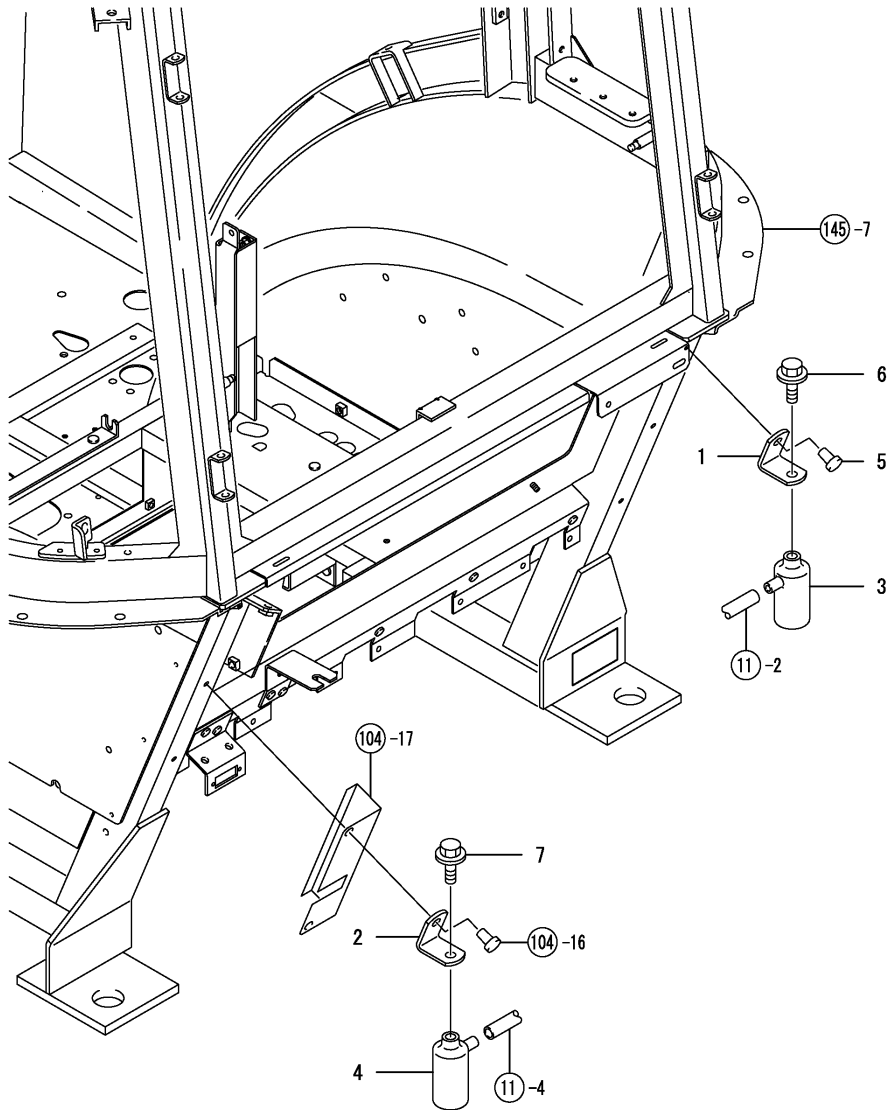
0CNP4-G99000 11. BREATHER(MAIN)

(A)=EG765-KPQ
(B)=EG775-KPQ
(C)=EG782-KPQ

(D)=
(E)=
(F)=

REF.	LEV.	PARTS NO.	DESCRIPTION	Q'TY						I	R
				(A)	(B)	(C)	(D)	(E)	(F)		
1	1	198448-04930	JOINT T-SHAPED,HOSE	1	1	1					
2	1	1A7640-04940	HOSE,FOTANK BREATHER	1	1	1					
3	1	198265-04950	PIPEB650,FUEL OIL	2	2	2					
4	1	198448-04950	HOSE, OVERFLOW B	1	1	1					
5	1	172010-07810	STICKER, WIRE	1	1	1					
6	1	106990-44660	CLIP,HOSE	1	1	1					
7	1	106990-44660	CLIP,HOSE	2	2	2					
8	1	106990-44660	CLIP,HOSE	2	2	2					

Fig.12. BREATHER(CABIN



0CNP4-G99000 12. BREATHER(CABIN

(A)=EG765-KPQ
(B)=EG775-KPQ
(C)=EG782-KPQ

(D)=
(E)=
(F)=

REF.	LEV.	PARTS NO.	DESCRIPTION	Q'TY						I	R
				(A)	(B)	(C)	(D)	(E)	(F)		
1	1	198268-42922	STAY, BREATHER	1	1	1					
2	1	198268-42922	STAY, BREATHER	1	1	1					
3	1	194205-63550	BREATHER, AIR	1	1	1					
4	1	194205-63550	BREATHER, AIR	1	1	1					
5	1	198010-85810	RIVET	1	1	1					
6	1	26106-080122	BOLT M 8X 12 PLATED	1	1	1					
7	1	26106-080122	BOLT M 8X 12 PLATED	1	1	1					

Fig.13. PRE-CLEANER

(A)=EG765-KPQ
 (B)=EG775-KPQ
 (C)=EG782-KPQ

(D)=
 (E)=
 (F)=

REF.	LEV.	PARTS NO.	DESCRIPTION	Q'TY						I	R
				(A)	(B)	(C)	(D)	(E)	(F)		
1	1	194185-06150	GROMMET, AIR CLEANER	1	1	1					
2	1	1A7450-06201	BRACKET, PRE-CLEANER	1	1	1					
3	1	26106-080162	BOLT M 8X 16 PLATED	2	2	2					

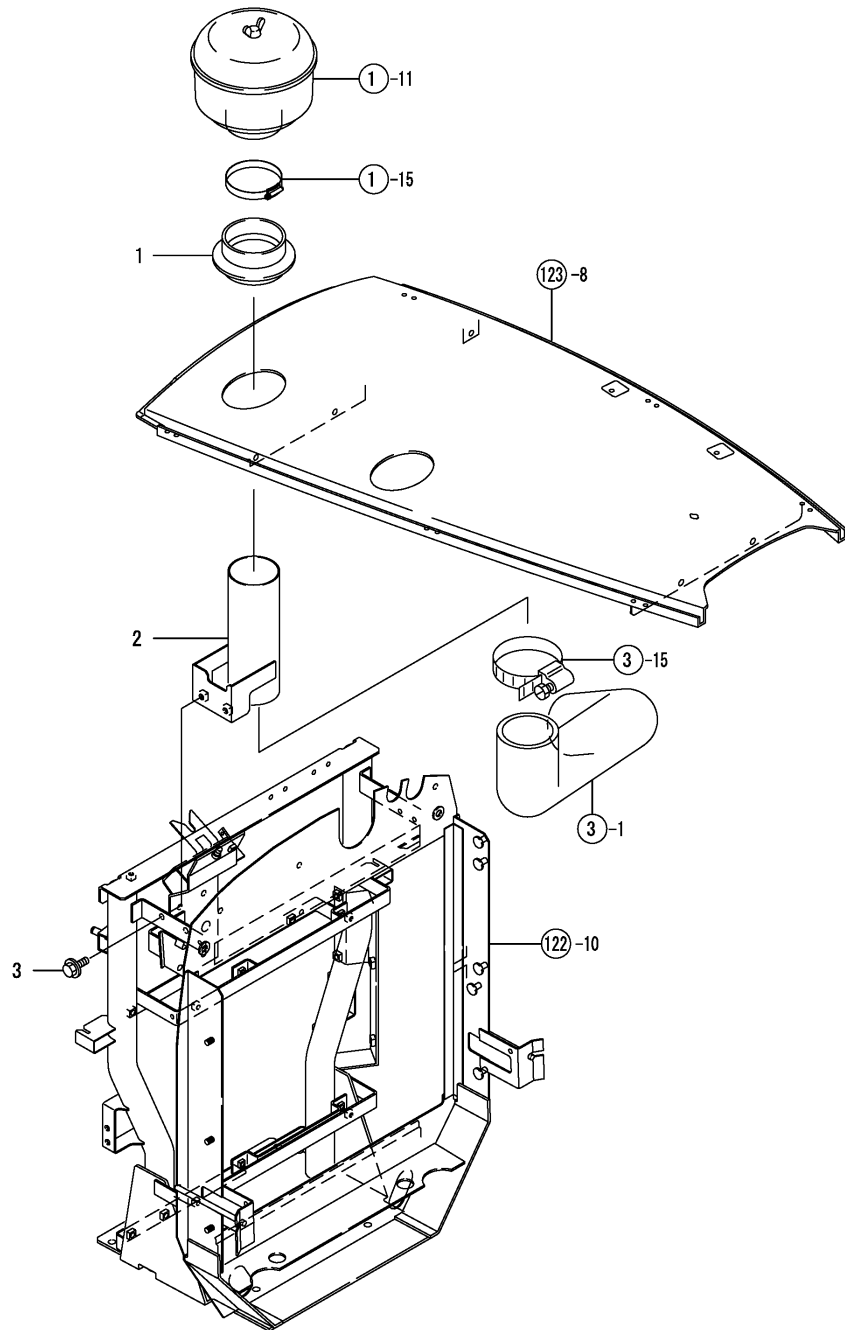


Fig.14. FRONT BRACKET

(A)=EG765-KPQ
 (B)=EG775-KPQ
 (C)=EG782-KPQ

(D)=
 (E)=
 (F)=

REF.	LEV.	PARTS NO.	DESCRIPTION	QTY						I	R
				(A)	(B)	(C)	(D)	(E)	(F)		
1	1	1A7480-05550	PLATE , SHUTTER	1	1	1					
2	1	1A7480-11100	BRACKET ASSY, AXLE	1	1	1					
3	1	1A7450-11330	SHIM A(FAB)	1	1	1					
4	1	1A7450-11340	SHIM B(FAB)	1	1	1					
5	1	1A7450-11350	SHIM C(FAB)	1	1	1					
6	1	198220-11520	BOLT 12X38	6	6	6					
7	1	1A7450-11520	BOLT, M12X57	7	7	7					
8	1	198220-11530	BOLT 12X38	1	1	1					
9	1	1A7450-11530	BOLT, M12X57	1	1	1					
10	1	1A6680-21460	RUBBER, CAP 25	1	1	1					
11	1	194150-24270	SCREW CAP 13	14	14	14					
12	1	194180-61980	GROMMET 24	2	2	2					
13	1	26106-080162	BOLT M 8X 16 PLATED	4	4	4					

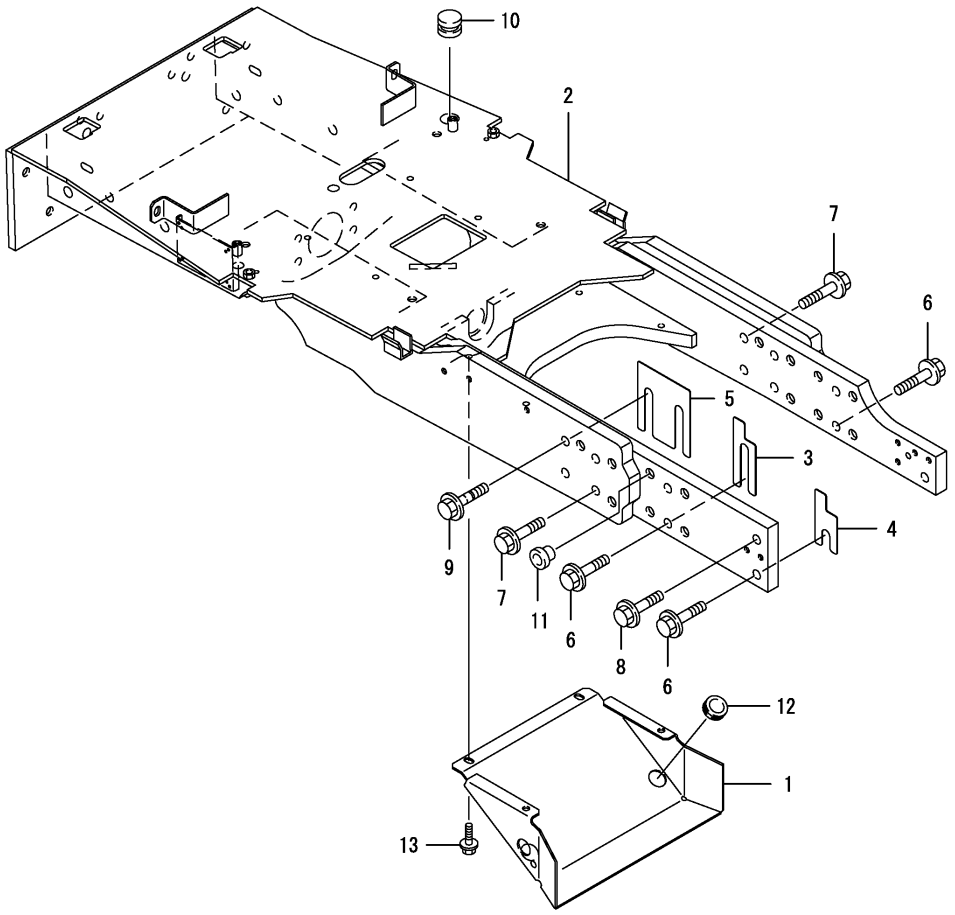
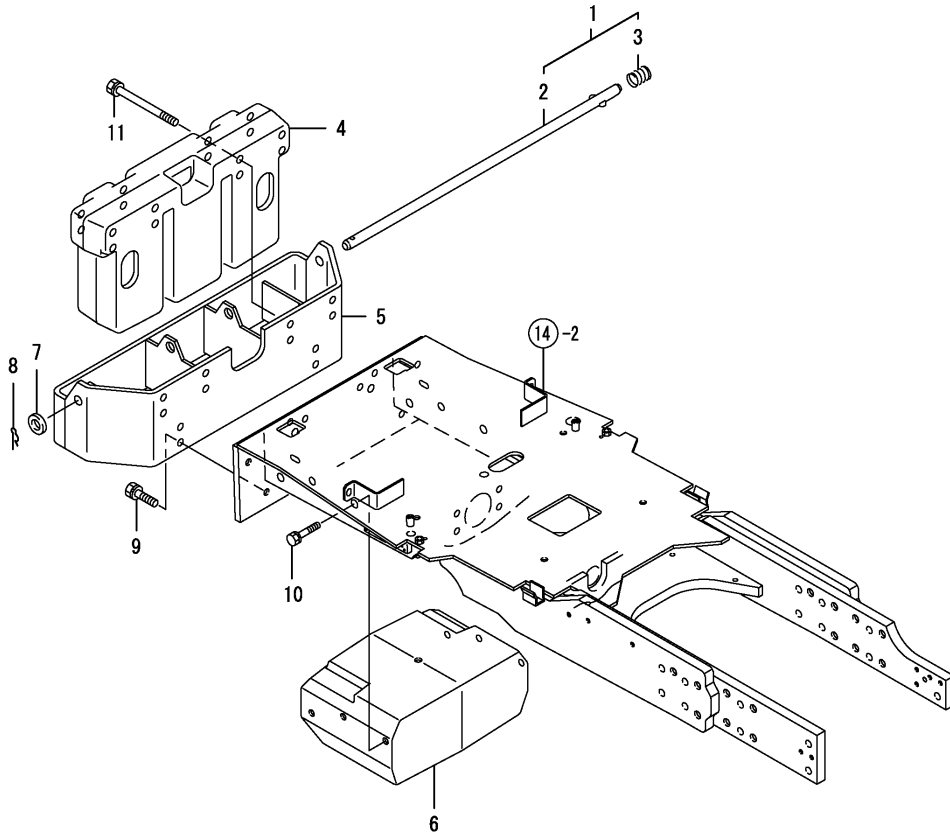


Fig.15. FRONT WEIGHT

(A)=EG765-KPQ
 (B)=EG775-KPQ
 (C)=EG782-KPQ

(D)=
 (E)=
 (F)=



REF.	LEV.	PARTS NO.	DESCRIPTION	QTY						I	R
				(A)	(B)	(C)	(D)	(E)	(F)		
1	1	198440-11090	PIN, LOCK	1	1	1					
2	2	198440-11080	PIN	1	1	1					
3	2	194250-11140	SPRING	1	1	1					
4	1	198141-11111	WEIGHT 50, FRONT	1	1	1					
5	1	198133-11132	HITCH, FRONT	1	1	1					
6	1	1A7450-11311	WEIGHT, FRONT 80	1	1	1					
7	1	22137-160000	WASHER 16,POLISHED	1	1	1					
8	1	22360-200000	SNAP PIN 20	1	1	1					
9	1	26013-120302	BOLT W/WASHER M12X30	2	2	2					
10	1	26013-120502	BOLT M12X 50	6	6	6					
11	1	26013-121052	BOLT M12X105	4	4	4					

Fig.16. CENTER PIN

(A)=EG765-KPQ
(B)=EG775-KPQ
(C)=EG782-KPQ

(D)=
(E)=
(F)=

REF.	LEV.	PARTS NO.	DESCRIPTION	QTY						I	R
				(A)	(B)	(C)	(D)	(E)	(F)		
1	1	1A7450-11501	PIN, CENTER	1	1	1					
2	2	24761-050000	NIPPLE C,GREASE	1	1	1					
3	1	198220-11520	BOLT 12X38	4	4	4					
4	1	198220-11520	BOLT 12X38	1	1	1					
5	1	198240-11550	SPACER 35X62X28	1	1	1					
6	1	1A7450-11550	PLATE,CENTER PIN	1	1	1					
7	1	1A7450-13220	SHIM SET,CENTER PIN	1	1	1					

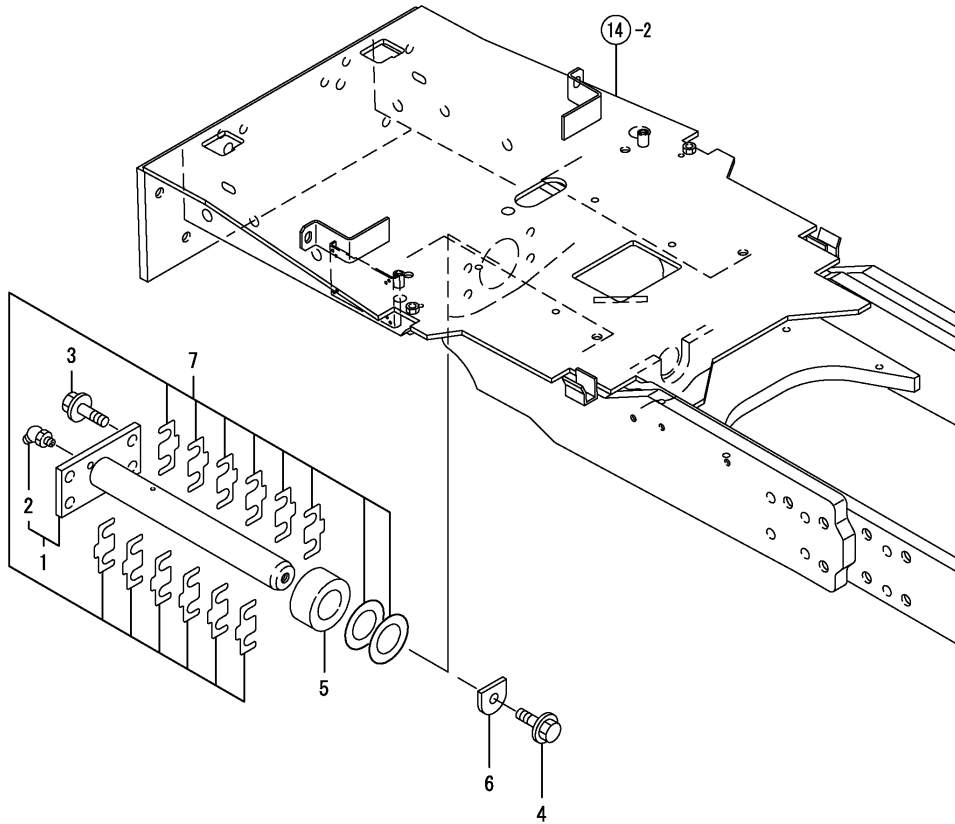


Fig.17. ARM

(A)=EG765-KPQ
 (B)=EG775-KPQ
 (C)=EG782-KPQ

(D)=
 (E)=
 (F)=

REF.	LEV.	PARTS NO.	DESCRIPTION	QTY						I	R
				(A)	(B)	(C)	(D)	(E)	(F)		
1	1	1A7450-11901	ARM, KNUCKLE L.H.	1	1	1					
2	1	1A7450-11921	ARM, KNUCKLE R.H.	1	1	1					
3	1	1A7450-11950	STUD,BOLT 12 X 50	4	4	4					
4	1	198133-13680	PLUG	1	1	1					
5	1	198133-13790	U-NUT M12	4	4	4					
6	1	22217-120000	SPRING WASHER 12	12	12	12					
7	1	22312-100180	PARALLEL PIN 10X 18	4	4	4					
8	1	23876-040000	PLUG PT 1/2	1	1	1					
9	1	24311-000180	O-RING 1A P-18.0	1	1	1					
10	1	26108-120402	BOLT 12* 40	4	4	4					
11	1	26108-120852	BOLT 12* 85	4	4	4					

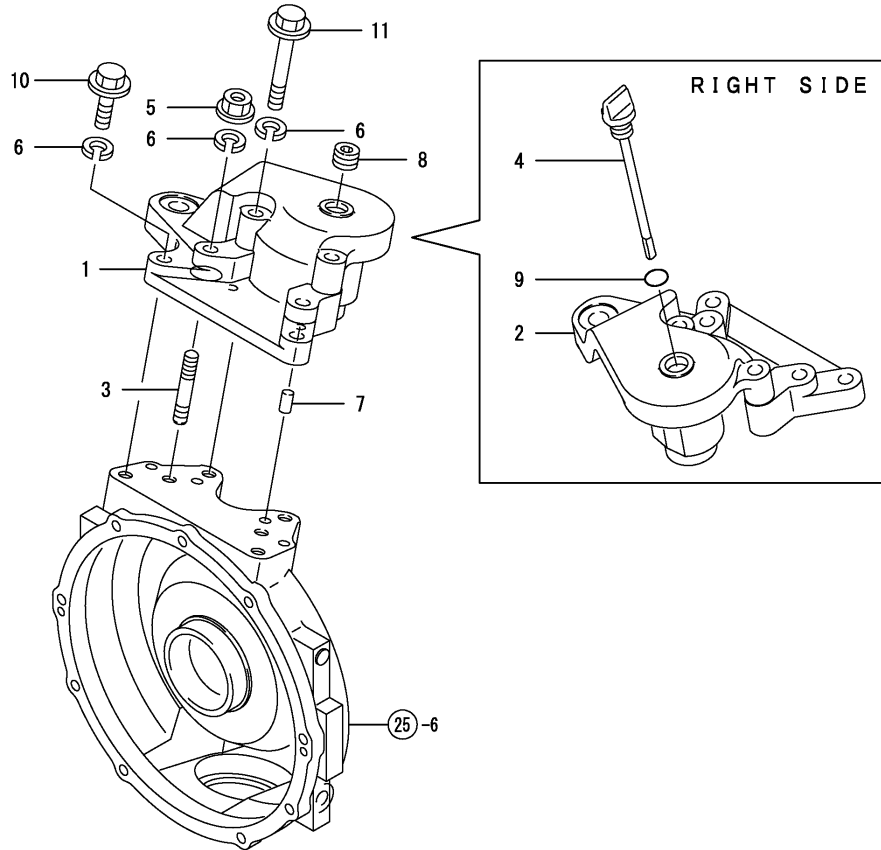
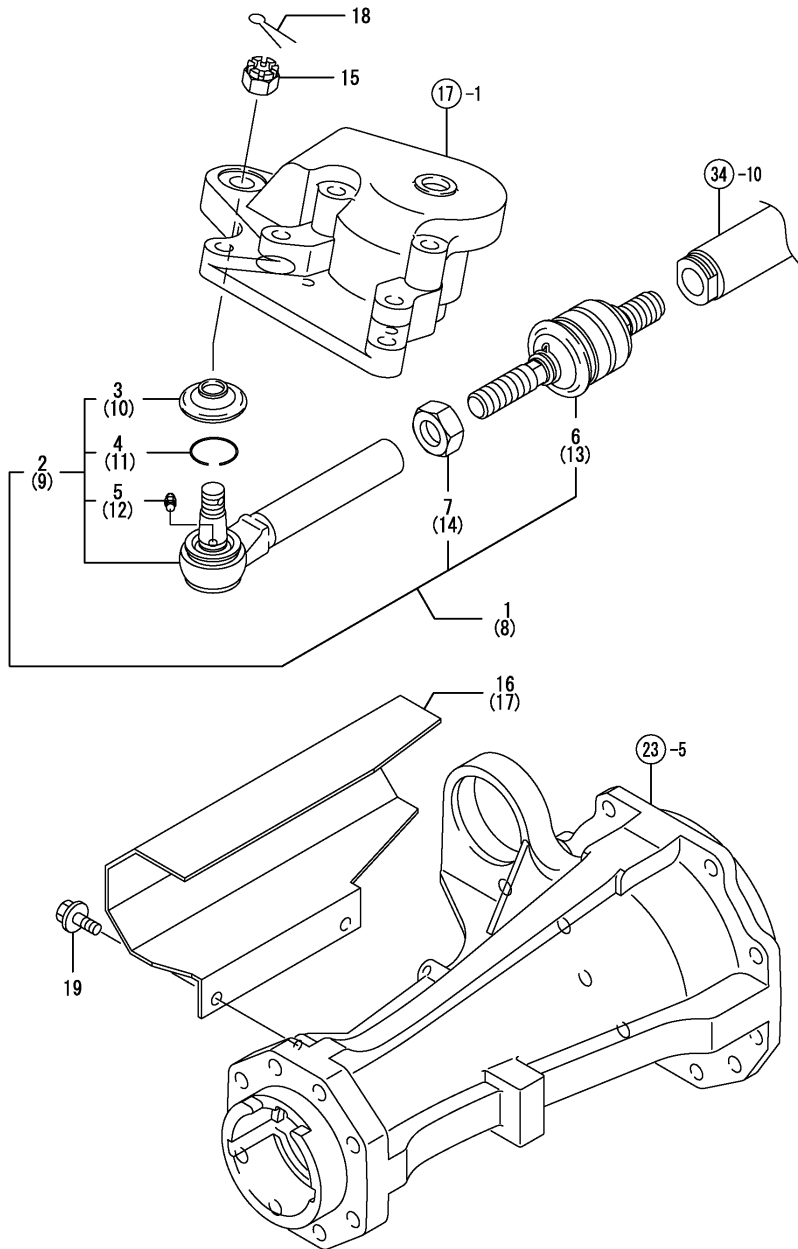


Fig.18. TIE-ROD

(A)=EG765-KPQ
 (B)=EG775-KPQ
 (C)=EG782-KPQ

(D)=
 (E)=
 (F)=



REF.	LEV.	PARTS NO.	DESCRIPTION	QTY						I	R
				(A)	(B)	(C)	(D)	(E)	(F)		
1	1	1A7450-12311	TIE-ROD ASSY, L	1	1	1					
2	2	1A7450-12331	END ASSY, ROD L	1	1	1					
3	3	194450-12552	COVER, DUST	1	1	1					
4	3	194450-12562	RING, SET	1	1	1					
5	3	24761-060000	NIPPLE MT6X1, GREASE	1	1	1					
6	2	1A7450-12351	END ASSY, RACK L	1	1	1					
7	2	26776-200002	LOCK NUT 20	1	1	1					
8	1	1A7450-12321	TIE-ROD ASSY, R	1	1	1					
9	2	1A7450-12341	END ASSY, ROD R	1	1	1					
10	3	194450-12552	COVER, DUST	1	1	1					
11	3	194450-12562	RING, SET	1	1	1					
12	3	24761-060000	NIPPLE MT6X1, GREASE	1	1	1					
13	2	1A7450-12361	END ASSY, RACK R	1	1	1					
14	2	26776-200002	LOCK NUT 20	1	1	1					
15	1	194180-12471	NUT, CASTLE	2	2	2					
16	1	1A7450-17410	COVER, CYLINDER L	1	1	1					
17	1	1A7450-17420	COVER, CYLINDER R	1	1	1					
18	1	22417-400400	COTTER PIN 4.0X40	2	2	2					
19	1	26106-080122	BOLT M 8X 12 PLATED	4	4	4					

Fig.19. DIFF. RING GEAR

(A)=EG765-KPQ
 (B)=EG775-KPQ
 (C)=EG782-KPQ

(D)=
 (E)=
 (F)=

REF.	LEV.	PARTS NO.	DESCRIPTION	Q'TY						I	R
				(A)	(B)	(C)	(D)	(E)	(F)		
1	1	1A7450-13100	GEAR ASSY, RING	1	1	1					
2	1	198251-13670	COLLAR	1	1	1					
3	1	198133-13810	BEARING ET-32007XST	1	1	1					
4	1	1A7450-13820	BEARING, ET-30207	1	1	1					
5	1	24101-060124	BALL BEARING	1	1	1					
6	1	24341-000315	O-RING 1A S-31.5	1	1	1					

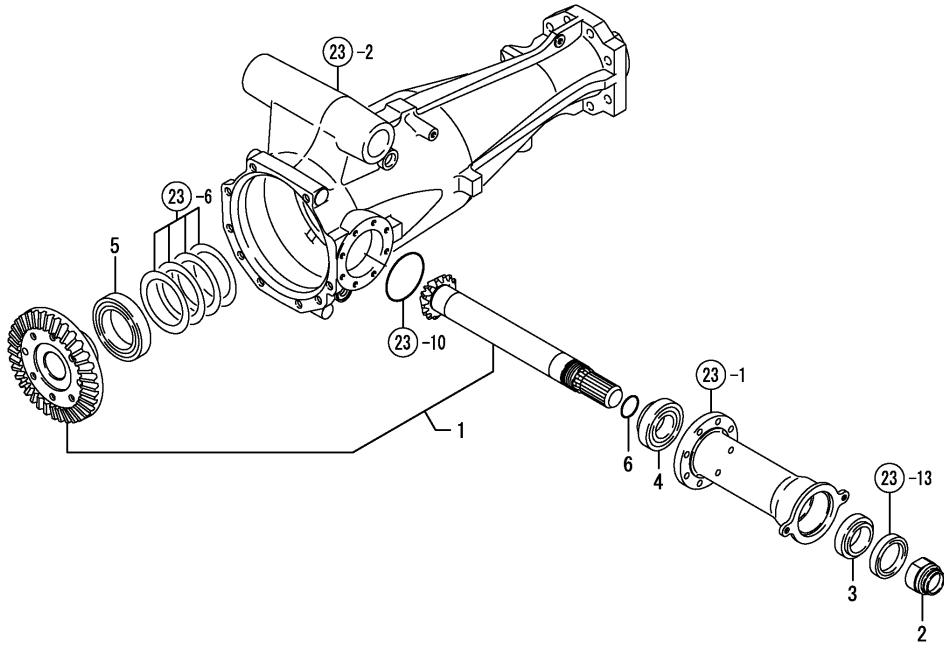


Fig.20. DIFF. GEAR

(A)=EG765-KPQ
 (B)=EG775-KPQ
 (C)=EG782-KPQ

(D)=
 (E)=
 (F)=

REF.	LEV.	PARTS NO.	DESCRIPTION	QTY						I	R
				(A)	(B)	(C)	(D)	(E)	(F)		
1	1	194641-13210	CASE, DIFFERENTIAL	1	1	1					
2	1	194321-13230	PINION, DIFFERENTIAL	2	2	2					
3	1	194465-13240	LINER, DIFFERENTIAL	2	2	2					
4	1	194321-13250	GEAR, DIFF. SIDE	2	2	2					
5	1	194465-13260	WASHER	2	2	2					
6	1	194321-13270	SHAFT, DIFF. PINION	1	1	1					
7	1	194323-13290	BOLT M10X 70	6	6	6					
8	1	22312-100180	PARALLEL PIN 10X 18	2	2	2					
9	1	22351-035032	SPRING PIN 3.5X32	1	1	1					
10	1	22351-060032	SPRING PIN 6X32	1	1	1					
11	1	24101-060104	BALL BEARING	1	1	1					

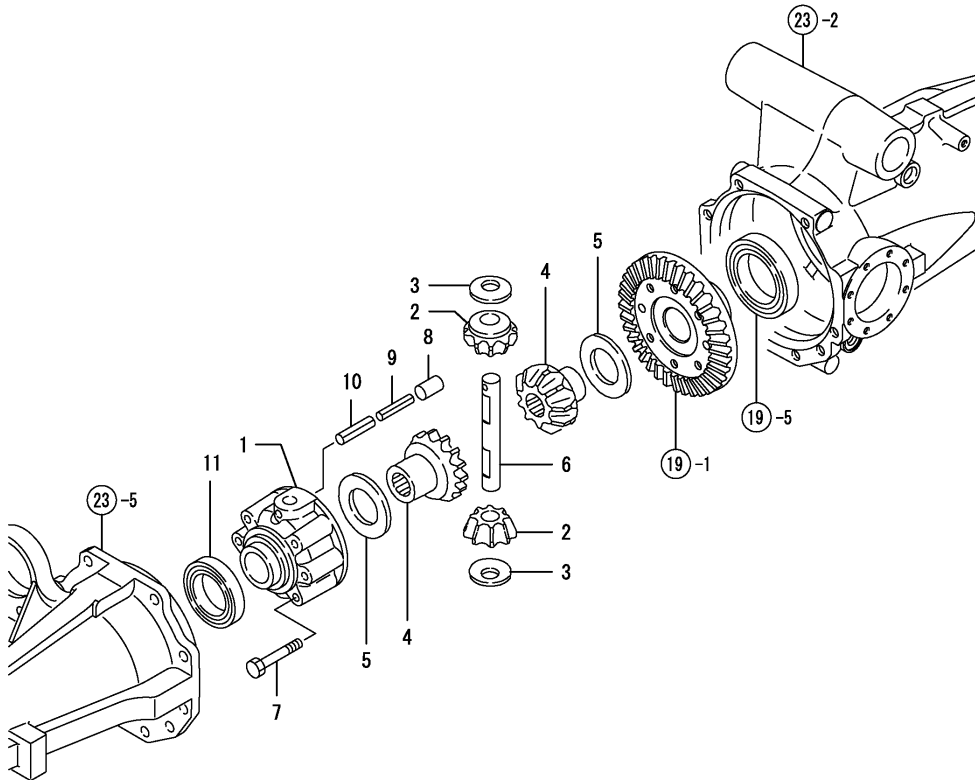
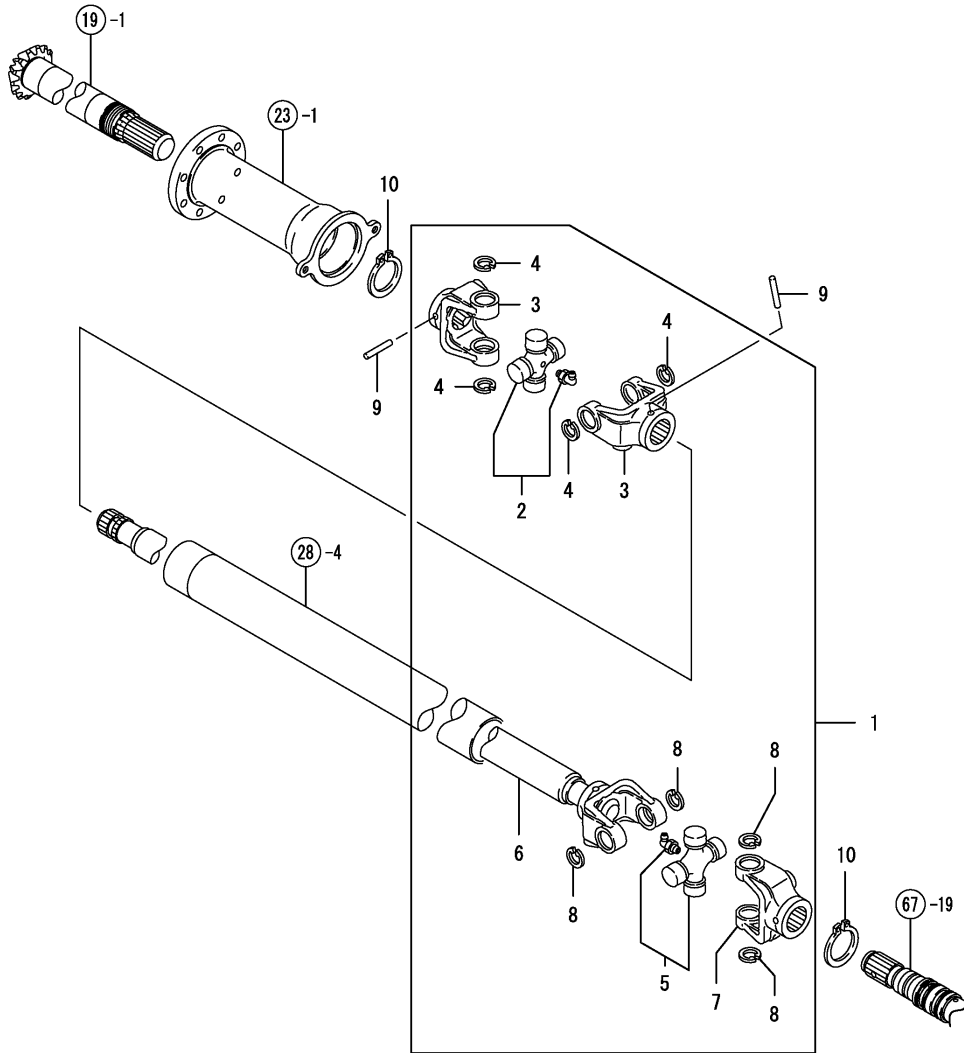


Fig.21. PROPELLER SHAFT



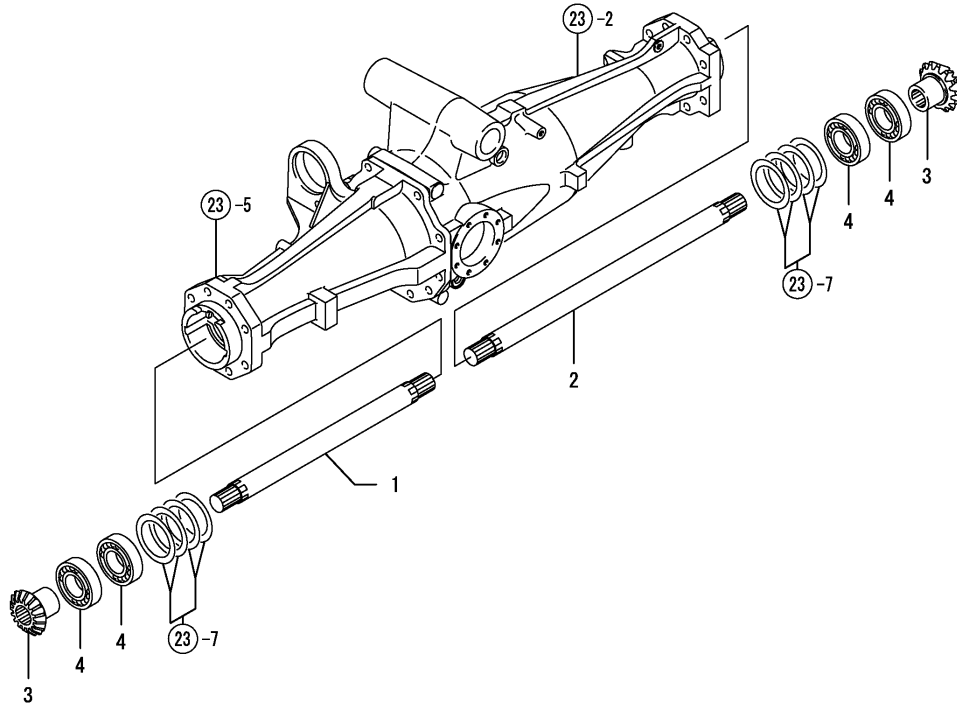
0CNP4-G99000 21. PROPELLER SHAFT

(A)=EG765-KPQ
(B)=EG775-KPQ
(C)=EG782-KPQ

(D)=
(E)=
(F)=

REF.	LEV.	PARTS NO.	DESCRIPTION	QTY						I	R
				(A)	(B)	(C)	(D)	(E)	(F)		
1	1	1A7450-13300	SHAFT ASSY,PROPELLER	1	1	1					
2	2	195188-11210	SPIDER	1	1	1					
3	2	198448-13420	YOKE	2	2	2					
4	2	22252-000250	CIRCLIP 25	4	4	4					
5	2	195188-11210	SPIDER	1	1	1					
6	2	1A7450-13380	SHAFT,R	1	1	1					
7	2	198448-13410	YOKE	1	1	1					
8	2	22252-000250	CIRCLIP 25	4	4	4					
9	1	174810-22130	NEEDLE 6.35X4.45	2	2	2					
10	1	22242-000480	CIRCLIP 48	2	2	2					

Fig.22. FRONT SHAFT(1)



0CNP4-G99000 22. FRONT SHAFT(1)

(A)=EG765-KPQ
(B)=EG775-KPQ
(C)=EG782-KPQ

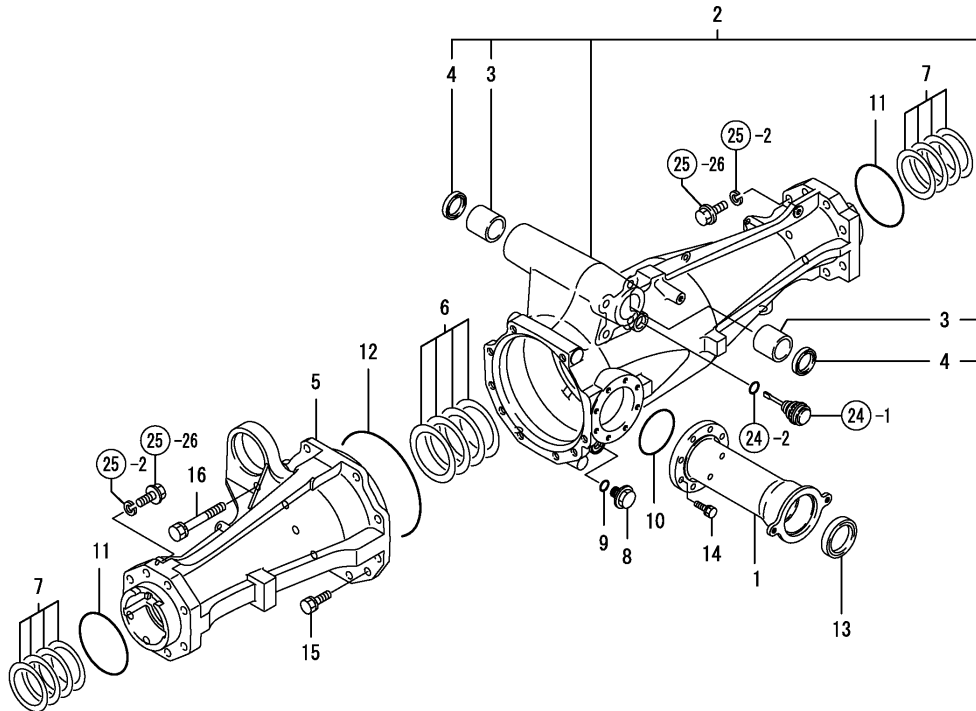
(D)=
(E)=
(F)=

REF.	LEV.	PARTS NO.	DESCRIPTION	Q'TY							
				(A)	(B)	(C)	(D)	(E)	(F)		
1	1	1A7450-13510	SHAFT, FRONT 1ST L	1	1	1					
2	1	1A7450-13520	SHAFT, FRONT 1ST R	1	1	1					
3	1	1A7480-13530	PINION, 1ST SHAFT	2	2	2					
4	1	194641-13840	BALL BEARING	4	4	4					

Fig.23. FRONT AXLE HOUSING

(A)=EG765-KPQ
 (B)=EG775-KPQ
 (C)=EG782-KPQ

(D)=
 (E)=
 (F)=



REF.	LEV.	PARTS NO.	DESCRIPTION	QTY						I	R
				(A)	(B)	(C)	(D)	(E)	(F)		
1	1	1A7450-13451	RETAINER, BEARING	1	1	1					
2	1	1A7450-13600	HOUSING ASSY, AXLE R	1	1	1					
3	2	198251-11220	BUSH 35X41X40	2	2	2					
4	2	194321-11940	SEAL VB 354105, OIL	2	2	2					
5	1	1A7450-13610	HOUSING, FRONT AXLE	1	1	1					
6	1	794321-13660	SHIM SET	1	1	1					
7	1	194641-13670	SHIM SET, PINION	1	1	1					
8	1	23491-140002	PLUG 14	1	1	1					
9	1	24311-000160	O-RING 1A P-16.0	1	1	1					
10	1	24321-000700	O-RING 1A G70.0,NBR	1	1	1					
11	1	24321-001000	O-RING 1A G-100.0	2	2	2					
12	1	24321-001700	O-RING 1A G-170.0	1	1	1					
13	1	24421-456209	SEAL TC 456209, OIL	1	1	1					
14	1	26013-080252	BOLT M 8X 25	8	8	8					
15	1	26013-120302	BOLT W/WASHER M12X30	9	9	9					
16	1	26013-120852	BOLT M12X85	1	1	1					

Fig.24. BREATHER

0CNP4-G99000 24. BREATHER

(A)=EG765-KPQ
 (B)=EG775-KPQ
 (C)=EG782-KPQ

(D)=
 (E)=
 (F)=

REF.	LEV.	PARTS NO.	DESCRIPTION	QTY						I	R
				(A)	(B)	(C)	(D)	(E)	(F)		
1	1	1C6900-23020	BREATHER W/GG.,KNOCK	1	1	1					
2	1	24311-000180	O-RING 1A P-18.0	1	1	1					

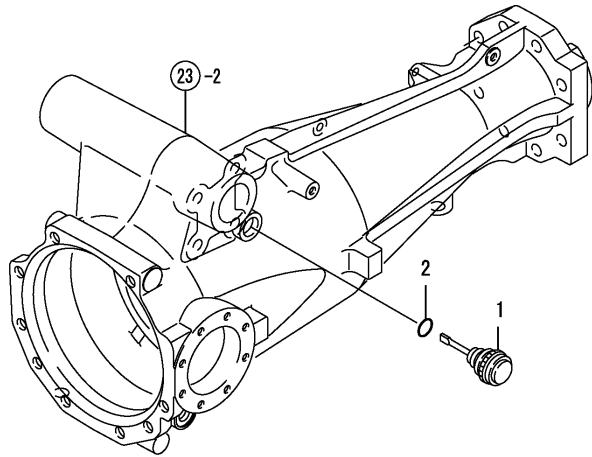
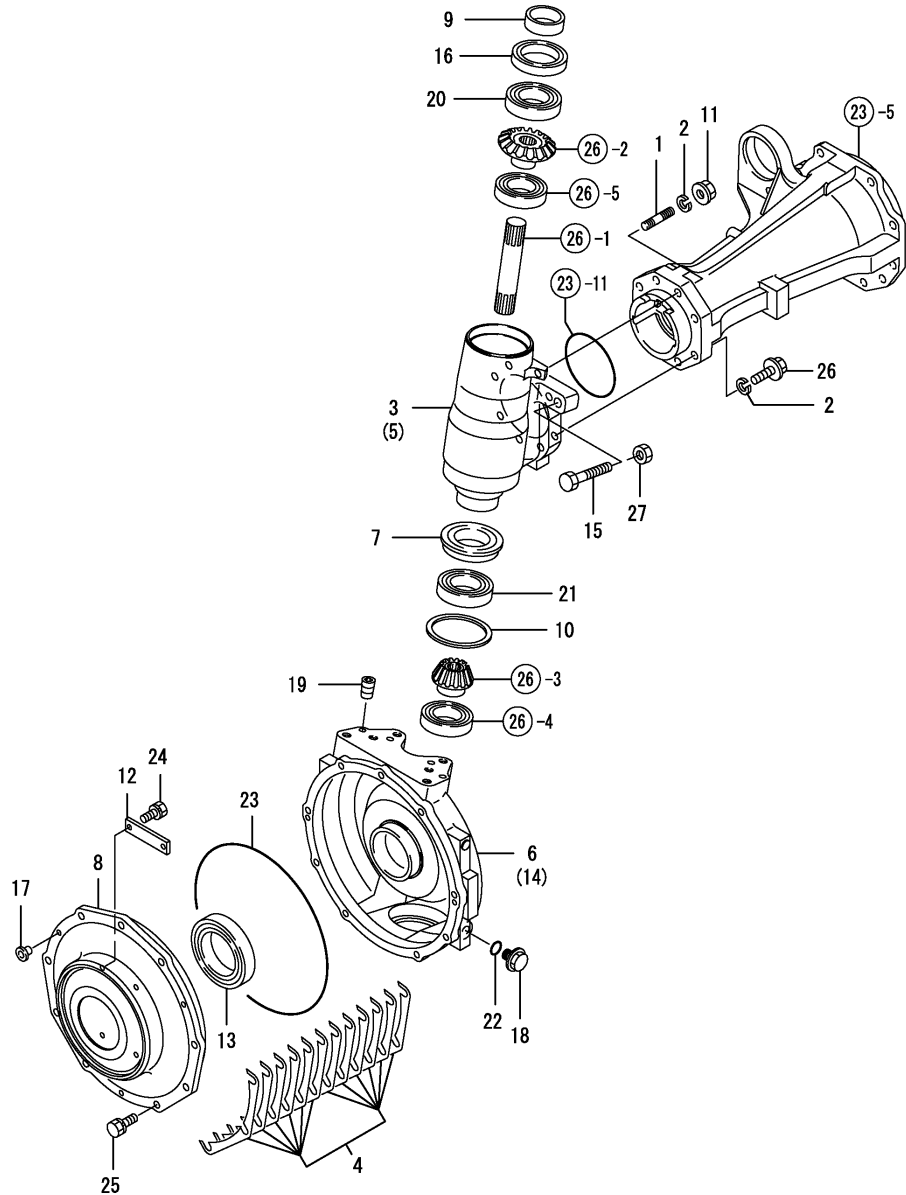


Fig.25. FRONT GEAR HOUSING



(A)=EG765-KPQ
 (B)=EG775-KPQ
 (C)=EG782-KPQ

(D)=
 (E)=
 (F)=

REF.	LEV.	PARTS NO.	DESCRIPTION	QTY						I	R
				(A)	(B)	(C)	(D)	(E)	(F)		
1	1	1A7450-13540	STUD,BOLT 12 X 40	2	2	2					
2	1	194274-13580	SPRING WASHER 12	16	16	16					
3	1	1A7480-13710	HOUSING, FRONT GEAR	1	1	1					
4	1	198401-13720	SHIM SET	1	1	1					
5	1	1A7480-13720	HOUSING, FRONT GEAR	1	1	1					
6	1	1A7480-13750	GEARBOX, FRONT L.H.	1	1	1					
7	1	198072-13760	SEAL QLF709521.5	2	2	2					
8	1	1A7480-13770	CASE,BEARING	2	2	2					
9	1	198071-13780	SLEEVE	2	2	2					
10	1	1A7480-13780	SPACER, 80X95X4.5	2	2	2					
11	1	198133-13790	U-NUT M12	2	2	2					
12	1	198401-13790	SUPPORT,BEARING	4	4	4					
13	1	198535-13790	SEAL,QLNY 7810516	2	2	2					
14	1	1A7480-13850	GEARBOX, FRONT R.H.	1	1	1					
15	1	198153-13860	BOLT M14X50,STOPPER	2	2	2					
16	1	194171-13870	SEAL TC6Y689013	2	2	2					
17	1	194275-27750	PLUG 7.8	6	6	6					
18	1	23491-140002	PLUG 14	2	2	2					
19	1	23876-010000	PLUG PT1/8,SCREW	2	2	2					
20	1	24101-062094	BALL BEARING	2	2	2					
21	1	24141-320120	ROLLER BEARING	2	2	2					
22	1	24311-000160	O-RING 1A P-16.0	2	2	2					
23	1	24321-002700	O-RING 1A G-270.0	2	2	2					
24	1	26013-080252	BOLT M 8X 25	8	8	8					
25	1	26013-100252	BOLT W/WASHER M10X25	18	18	18					
26	1	26108-120402	BOLT 12* 40	14	14	14					
27	1	26776-140002	LOCK NUT M14 PLATED	2	2	2					

Fig.26. FRONT SHAFT(2)

0CNP4-G99000 26. FRONT SHAFT(2)

(A)=EG765-KPQ
 (B)=EG775-KPQ
 (C)=EG782-KPQ

(D)=
 (E)=
 (F)=

REF.	LEV.	PARTS NO.	DESCRIPTION	Q'TY						I	R
				(A)	(B)	(C)	(D)	(E)	(F)		
1	1	1A7480-13810	SHAFT, 2ND FRONT	2	2	2					
2	1	1A7480-13820	GEAR,FRONT SPINDLE	2	2	2					
3	1	1A7480-13830	PINION,FINAL	2	2	2					
4	1	195399-14790	BEARING 6308R SH2	2	2	2					
5	1	198266-26390	BEARING	2	2	2					

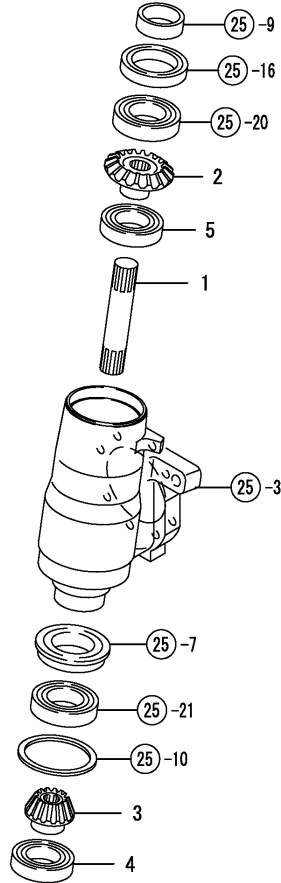
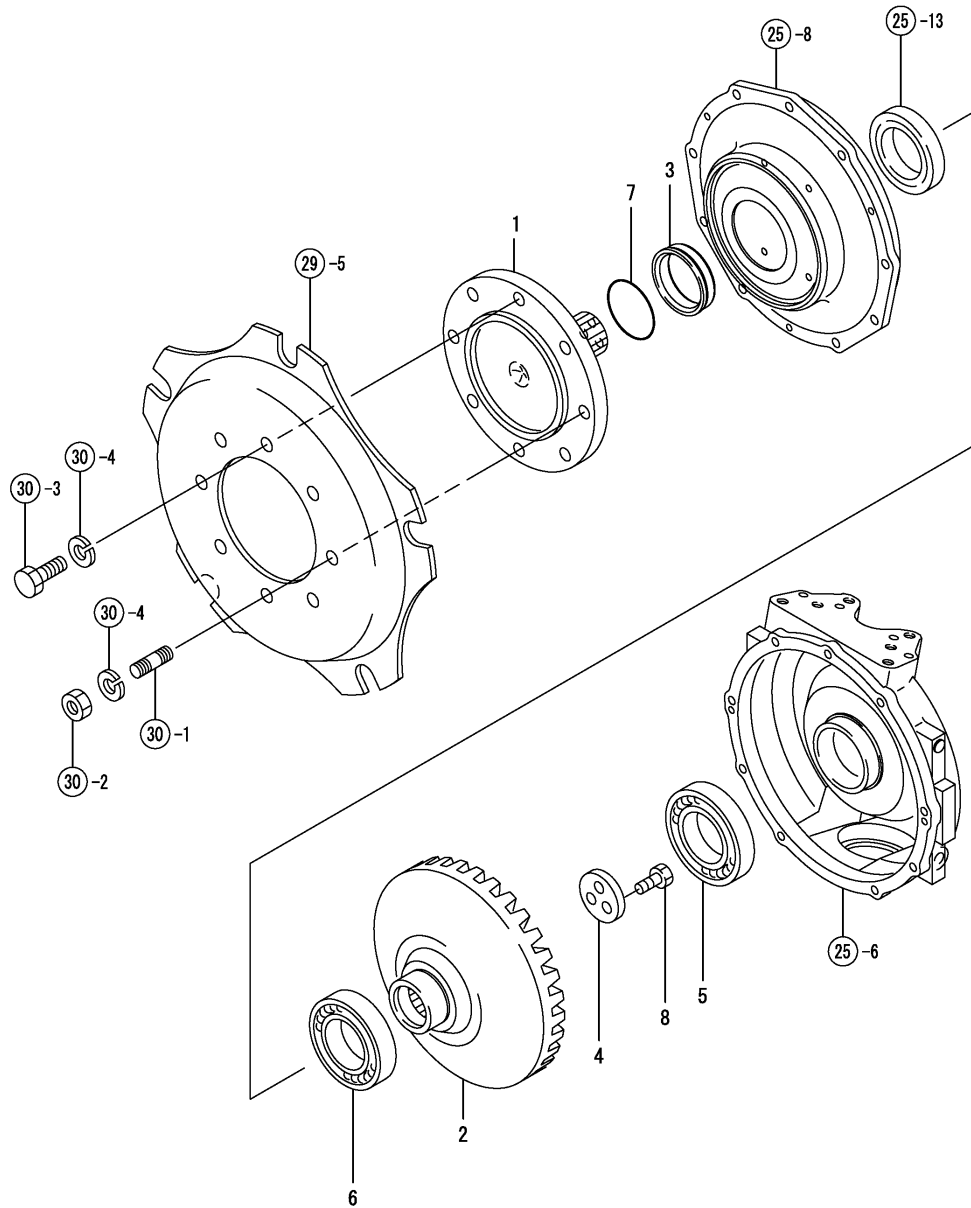


Fig.27. FRONT SPINDLE



0CNP4-G99000 27. FRONT SPINDLE

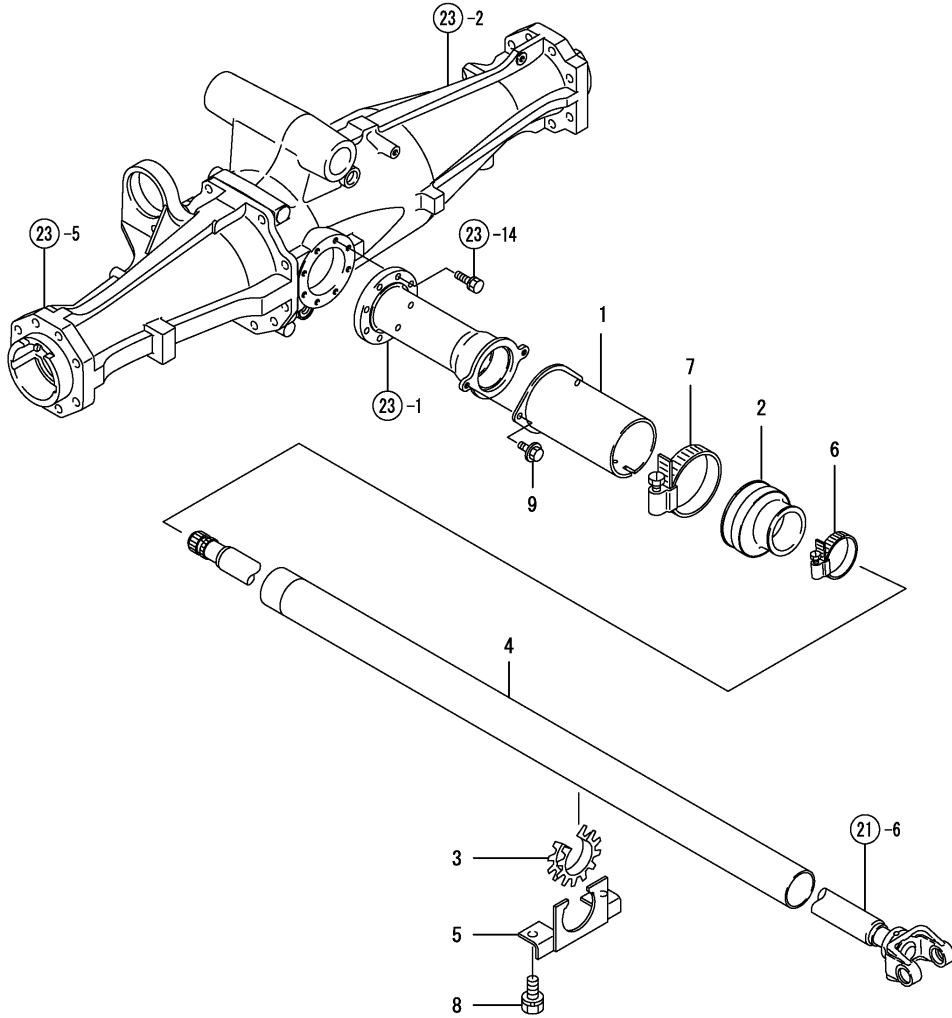
(A)=EG765-KPQ
(B)=EG775-KPQ
(C)=EG782-KPQ

(D)=
(E)=
(F)=

REF.	LEV.	PARTS NO.	DESCRIPTION	QTY						I	R
				(A)	(B)	(C)	(D)	(E)	(F)		
1	1	198153-14110	SPINDLE, FRONT	2	2	2					
2	1	1A7480-14120	GEAR,FINAL	2	2	2					
3	1	198535-14130	COLLAR,SEAL	2	2	2					
4	1	198401-14150	WASHER	2	2	2					
5	1	24101-060174	BALL BEARING	2	2	2					
6	1	24101-062134	BALL BEARING	2	2	2					
7	1	24325-000650	O-RING 1B G-65.0	2	2	2					
8	1	26076-100252	BOLT 10.9 10X25	6	6	6					

Fig.28. SHAFT COVER

(A)=EG765-KPQ
(B)=EG775-KPQ
(C)=EG782-KPQ
(D)=
(E)=
(F)=

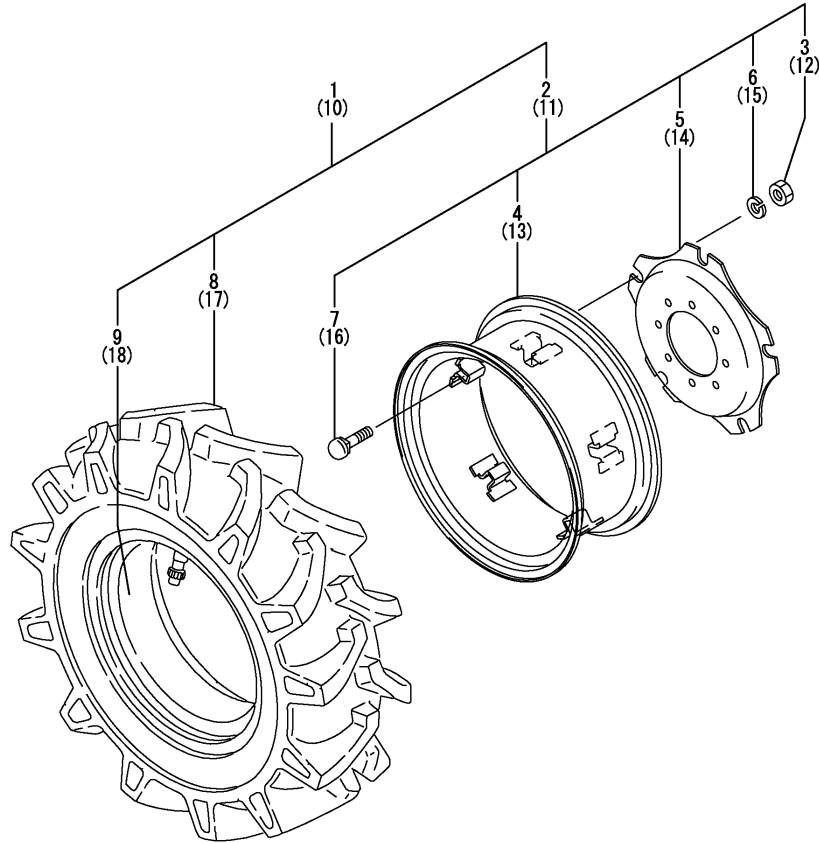


REF.	LEV.	PARTS NO.	DESCRIPTION	Q'TY						I	R
				(A)	(B)	(C)	(D)	(E)	(F)		
1	1	198448-14610	COVER, SHAFT	1	1	1					
2	1	1A7450-14640	BOOT,F SHAFT COVER	1	1	1					
3	1	198448-14670	BUSHING	1	1	1					
4	1	1A7450-14710	COVER, SHAFT REAR	1	1	1					
5	1	1A7450-14750	BRACKET,SHAFT COVER R	1	1	1					
6	1	23000-070000	CLAMP 70	1	1	1					
7	1	23000-102000	CLAMP 102,HOSE	1	1	1					
8	1	26013-120252	BOLT M12X 25	2	2	2					
9	1	26106-080162	BOLT M 8X 16 PLATED	2	2	2					

Fig.29. FRONT WHEEL TIRE

(A)=EG765-KPQ
 (B)=EG775-KPQ
 (C)=EG782-KPQ

(D)=
 (E)=
 (F)=



REF.	LEV.	PARTS NO.	DESCRIPTION	QTY						I	R
				(A)	(B)	(C)	(D)	(E)	(F)		
1	1	1A7480-14770	TIRE&WHEEL L KIT,	1	1	1					
2	2	1A7480-14720	WHEEL ASSY, W9X20	1	1	1					
3	3	194181-14180	NUT M16	5	5	5					
4	3	1A7480-14730	RIM, W9X20	1	1	1					
5	3	1A7480-14760	DISC, W9X20	1	1	1					
6	3	194065-34170	WASHER 16, LOCK	5	5	5					
7	3	198268-34850	BOLT M16X 70	5	5	5					
8	2	1A7480-14810	TIRE, 11.2X20	1	1	1					
9	2	1A7480-14820	TUBE, 11.2-20	1	1	1					
10	1	1A7480-14870	TIRE&WHEEL R KIT,	1	1	1					
11	2	1A7480-14720	WHEEL ASSY, W9X20	1	1	1					
12	3	194181-14180	NUT M16	5	5	5					
13	3	1A7480-14730	RIM, W9X20	1	1	1					
14	3	1A7480-14760	DISC, W9X20	1	1	1					
15	3	194065-34170	WASHER 16, LOCK	5	5	5					
16	3	198268-34850	BOLT M16X 70	5	5	5					
17	2	1A7480-14810	TIRE, 11.2X20	1	1	1					
18	2	1A7480-14820	TUBE, 11.2-20	1	1	1					

Fig.30. HUB BOLT

0CNP4-G99000 30. HUB BOLT

(A)=EG765-KPQ
 (B)=EG775-KPQ
 (C)=EG782-KPQ

(D)=
 (E)=
 (F)=

REF.	LEV.	PARTS NO.	DESCRIPTION	QTY						I	R
				(A)	(B)	(C)	(D)	(E)	(F)		
1	1	194181-14160	BOLT M16X 30	4	4	4					
2	1	194181-14180	NUT M16	4	4	4					
3	1	194181-14250	BOLT M16X 35	12	12	12					
4	1	194065-34170	WASHER 16, LOCK	16	16	16					

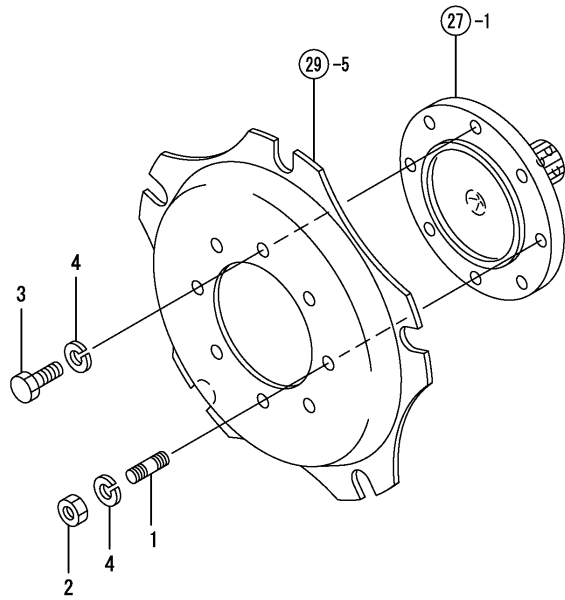
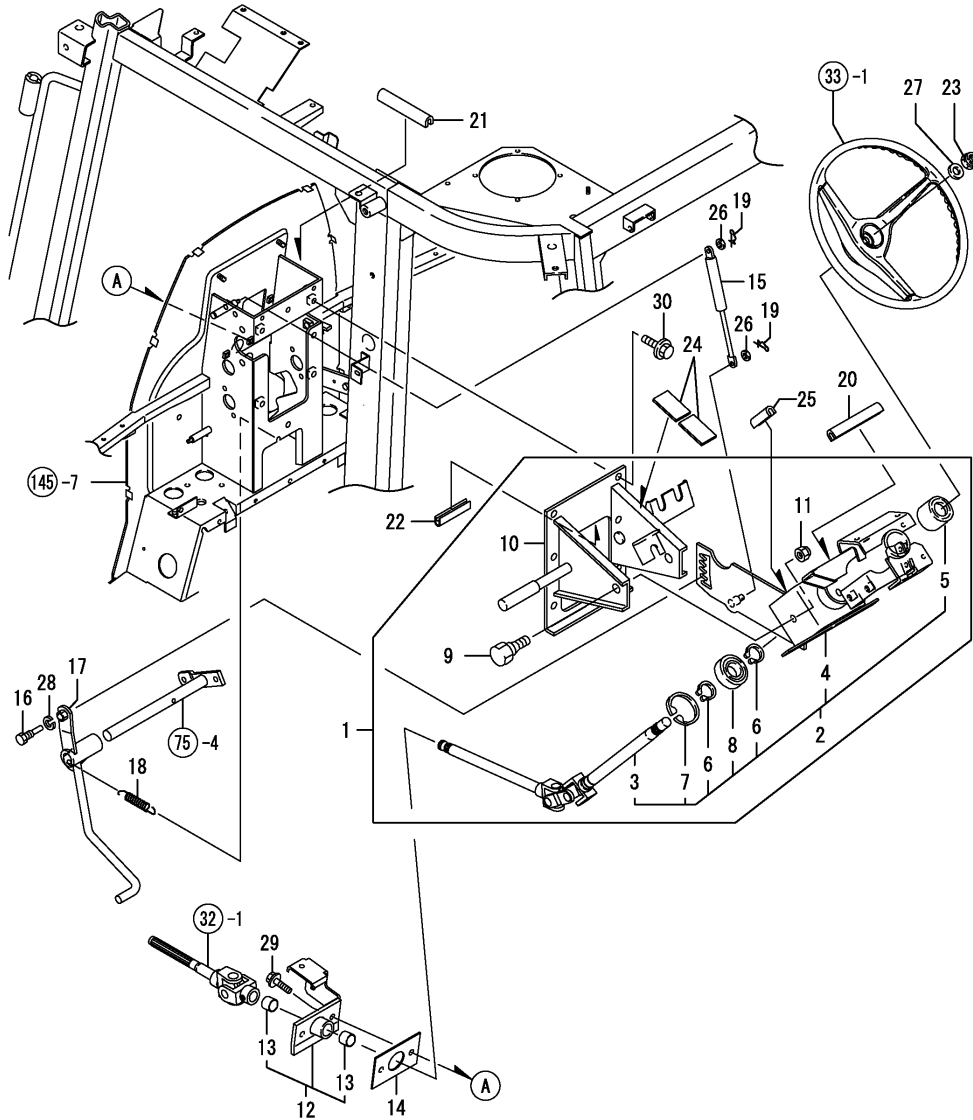


Fig.31. STEERING COLUMN(CABIN



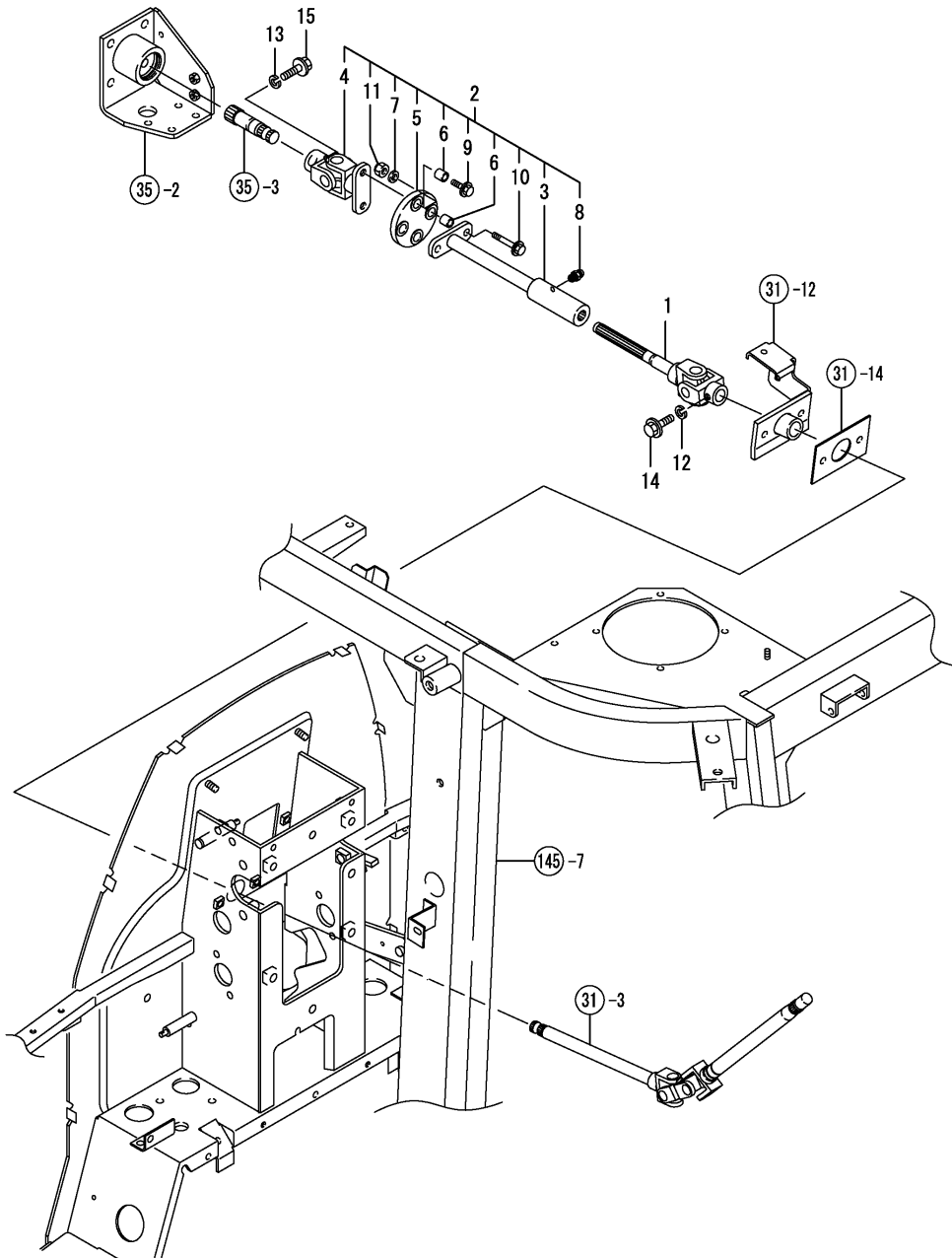
OCNP4-G99000 31. STEERING COLUMN(CABIN

(A)=EG765-KPQ
(B)=EG775-KPQ
(C)=EG782-KPQ

(D)=
(E)=
(F)=

REF.	LEV.	PARTS NO.	DESCRIPTION	QTY						I	R
				(A)	(B)	(C)	(D)	(E)	(F)		
1	1	1A7480-15100	COLUMN UNIT,STEERING	1	1	1					
2	2	1A7480-15200	COLUMN ASSY,STEERING	1	1	1					
3	3	1A7450-15310	SHAFT ASSY, JOINT	1	1	1					
4	3	1A7480-15600	STEERING COLUMN	1	1	1					
5	3	198071-15612	BUSH	1	1	1					
6	3	22242-000200	CIRCLIP 20	2	2	2					
7	3	22252-000420	CIRCLIP 42	1	1	1					
8	3	24104-060040	BALL BEARING	1	1	1					
9	2	198448-15280	PIN,TILT CENTER BOLT	2	2	2					
10	2	1A7480-15300	BRACKET, STEERING	1	1	1					
11	2	26346-100002	U-NUT M10 PLATED	2	2	2					
12	1	1A7450-15401	SUPPORT ASSY,STEER	1	1	1					
13	2	24550-017150	BUSH 17X15	2	2	2					
14	1	1A7470-15410	SEAL,SUPPORT STEER	1	1	1					
15	1	198448-15450	DAMPER(TILT SIDE)	1	1	1					
16	1	198448-15650	PIN, TILT LOCK	1	1	1					
17	1	198448-15750	PEDAL, TILT	1	1	1					
18	1	198290-37510	SPRING,RETURN	1	1	1					
19	1	1C6281-52310	PIN 6,COME-OFF SNAP	2	2	2					
20	1	198230-61560	GUIDE,HOSE	1	1	1					
21	1	198230-61560	GUIDE,HOSE	1	1	1					
22	1	198230-61560	GUIDE,HOSE	1	1	1					
23	1	26356-160002	U-NUT M16	1	1	1					
24	1	198093-84810	SEAL,FENDER	2	2	2					
25	1	198093-84810	SEAL,FENDER	1	1	1					
26	1	22137-060000	WASHER 6, POLISHED	2	2	2					
27	1	22137-160000	WASHER 16,POLISHED	1	1	1					
28	1	22217-100000	SPRING WASHER 10	1	1	1					
29	1	26106-080202	BOLT M 8X 20 PLATED	2	2	2					
30	1	26106-100202	BOLT M10X 20 PLATED	4	4	4					

Fig.32. STEERING COLUMN(MAIN)



0CNP4-G99000 32. STEERING COLUMN(MAIN)

(A)=EG765-KPQ
(B)=EG775-KPQ
(C)=EG782-KPQ

(D)=
(E)=
(F)=

REF.	LEV.	PARTS NO.	DESCRIPTION	QTY						I	R
				(A)	(B)	(C)	(D)	(E)	(F)		
1	1	1A7450-15510	SHAFT ASSY, JOINT A	1	1	1					
2	1	1A7450-15580	JOINT ASSY,	1	1	1					
3	2	1A7450-15530	SHAFT ASSY, JOINT B	1	1	1					
4	2	1A7450-15570	SHAFT ASSY, JOINT C	1	1	1					
5	2	198535-15580	COUPLING	1	1	1					
6	2	198535-15590	COLLER, D12XL 7	2	2	2					
7	2	22117-080000	WASHER 8	2	2	2					
8	2	24761-010000	NIPPLE M6F, GREASE	1	1	1					
9	2	26106-080202	BOLT M 8X 20 PLATED	2	2	2					
10	2	26106-080402	BOLT M 8X 40 PLATED	2	2	2					
11	2	26346-080002	U-NUT M 8 PLATED	2	2	2					
12	1	22217-080000	SPRING WASHER 8	1	1	1					
13	1	22217-080000	SPRING WASHER 8	1	1	1					
14	1	26106-080252	BOLT M 8X 25 PLATED	1	1	1					
15	1	26106-080252	BOLT M 8X 25 PLATED	1	1	1					

Fig.33. WHEEL, STEERING

0CNP4-G99000 33. WHEEL, STEERING

(A)=EG765-KPQ
(B)=EG775-KPQ
(C)=EG782-KPQ

(D)=
(E)=
(F)=

REF.	LEV.	PARTS NO.	DESCRIPTION	QTY						I	R	
				(A)	(B)	(C)	(D)	(E)	(F)			
1	1	198448-15700	WHEEL COMP.,STEERING	1	1	1						
2	2	198071-15720	CAP ASSY	1	1	1						
3	3	198071-15740	EMBLEM	1	1	1						

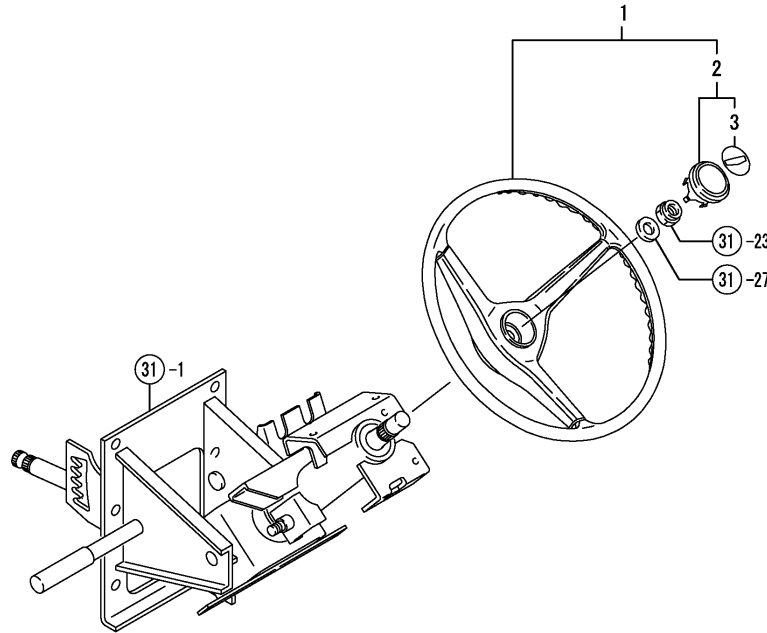
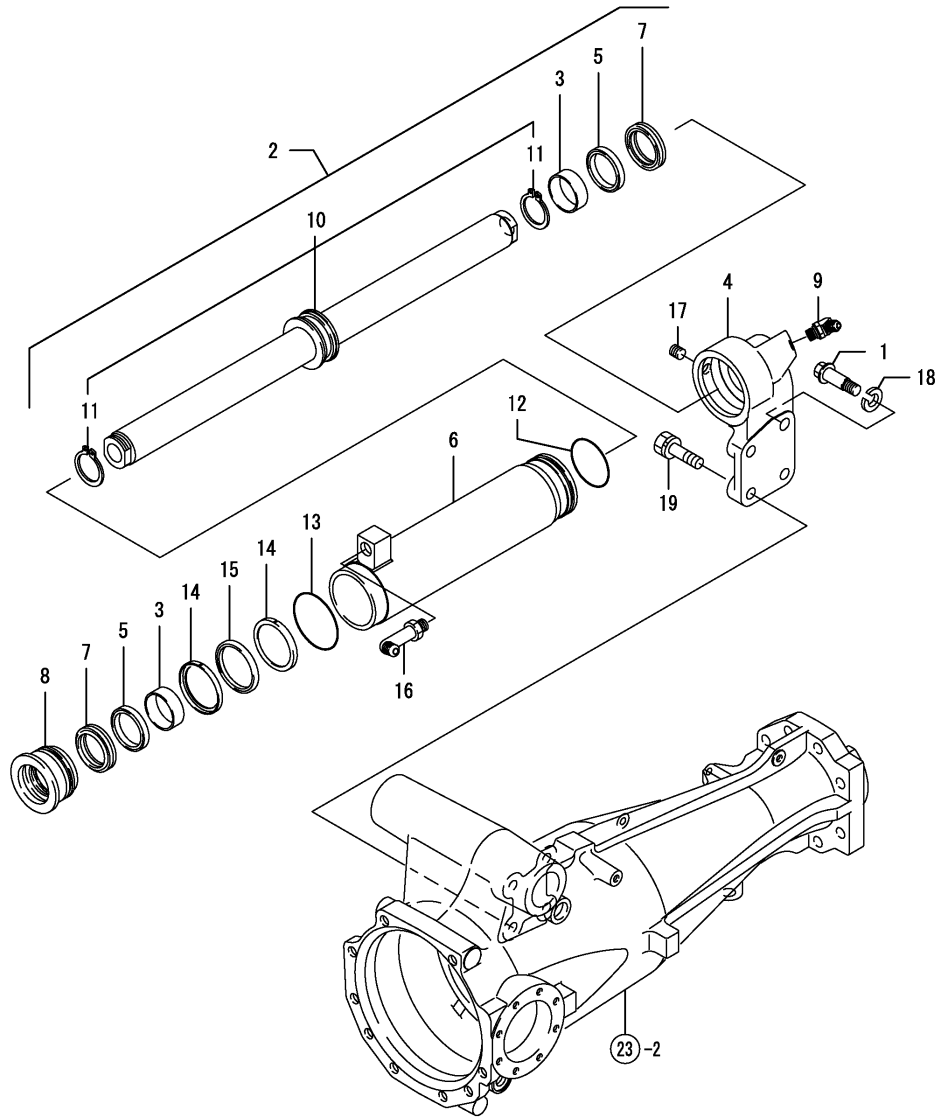


Fig.34. POWER STEERING CYLINDER

(A)=EG765-KPQ
 (B)=EG775-KPQ
 (C)=EG782-KPQ

(D)=
 (E)=
 (F)=

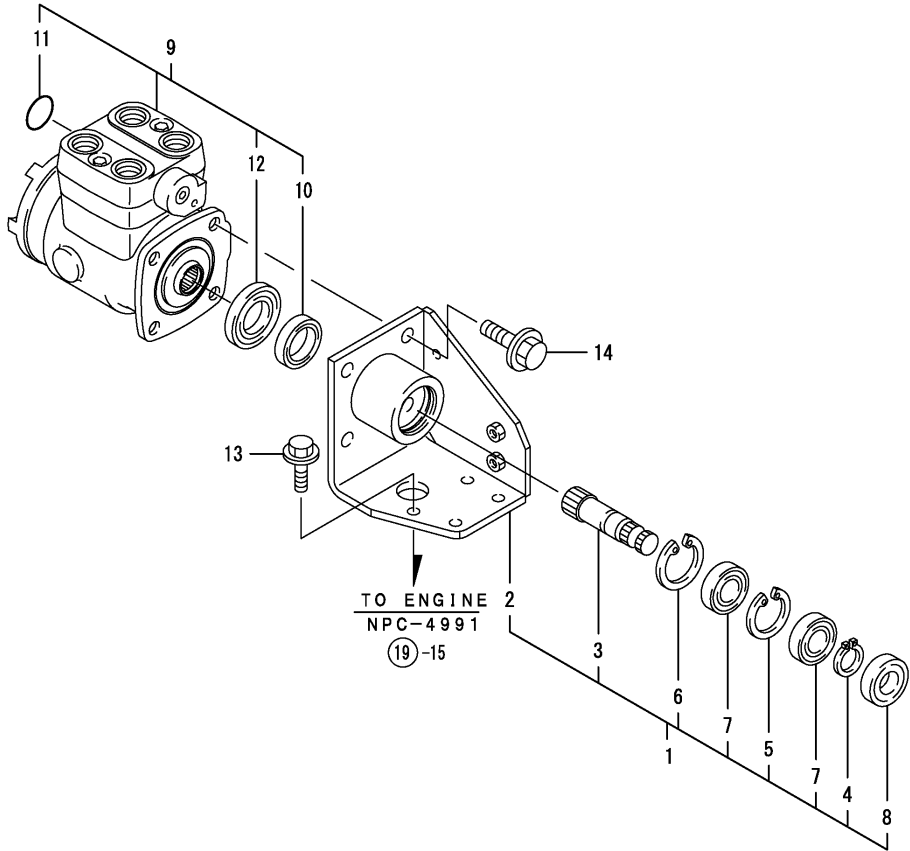


REF.	LEV.	PARTS NO.	DESCRIPTION	QTY						I	R
				(A)	(B)	(C)	(D)	(E)	(F)		
1	1	1A7450-17150	BOLT, REAMER 12X44.5	1	1	1					
2	1	1A7450-17302	CYLINDER ASSY,PST	1	1	1					
3	2	198266-17260	BUSH 40X44X15	2	2	2					
4	2	1A7450-17310	CAP, CYLINDER R.H.	1	1	1					
5	2	198266-17330	PACKING 40	2	2	2					
6	2	1A7450-17350	TUBE ASSY,CYLINDER	1	1	1					
7	2	198266-17360	SCRAPER 40	2	2	2					
8	2	1A7450-17380	CAP, CYLINDER L.H.	1	1	1					
9	2	1A7450-17390	ELBOW,	1	1	1					
10	2	198266-17402	ROD ASSY, CYLINDER	1	1	1					
11	3	22242-000400	CIRCLIP 40	2	2	2					
12	2	198072-17440	O-RING 55.0	1	1	1					
13	2	198266-17440	O-RING 65	1	1	1					
14	2	198266-17481	BEARING,PWL-60	2	2	2					
15	2	198266-17492	PACKING,RGU 60	1	1	1					
16	2	198072-17840	BOLT,90 WASHER	1	1	1					
17	2	26979-120122	SCREW 12* 12	1	1	1					
18	1	22217-140000	SPRING WASHER 14	1	1	1					
19	1	26013-120402	BOLT M12X 40	3	3	3					

Fig.35. POWER STEERING VALVE

(A)=EG765-KPQ
 (B)=EG775-KPQ
 (C)=EG782-KPQ

(D)=
 (E)=
 (F)=

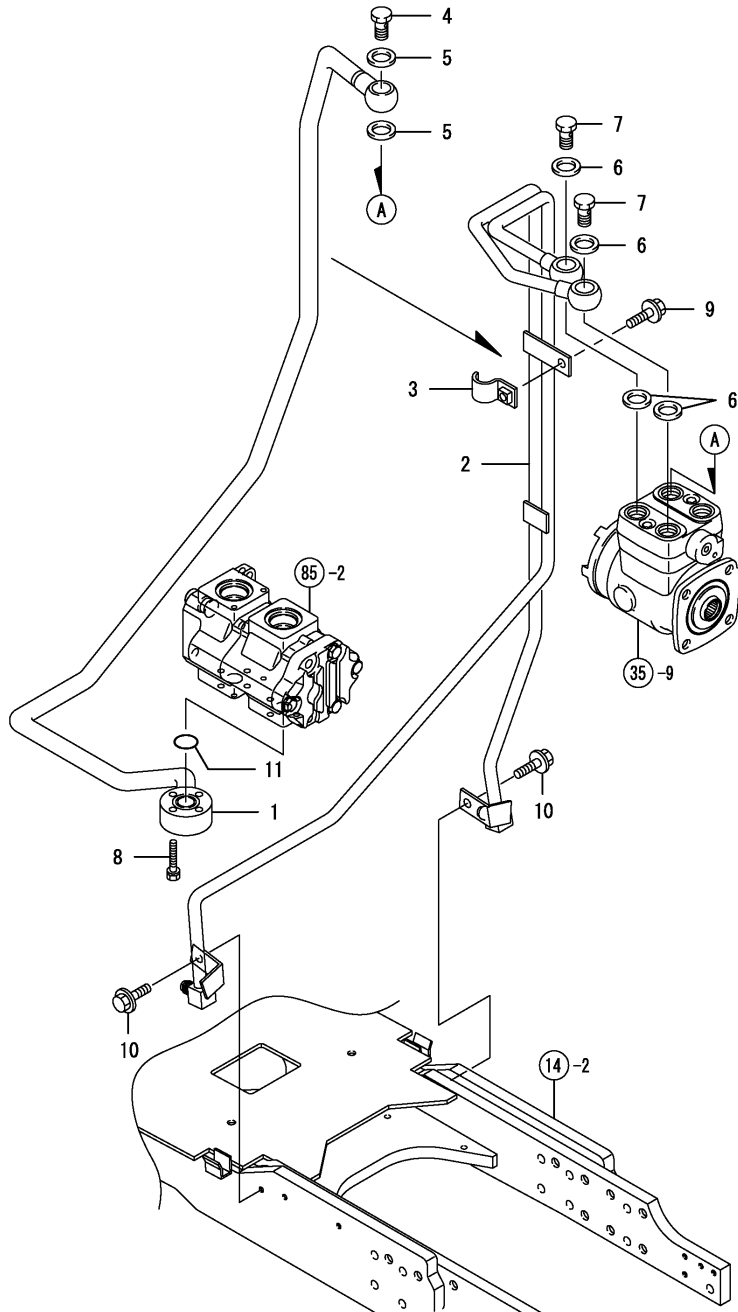


REF.	LEV.	PARTS NO.	DESCRIPTION	QTY						I	R
				(A)	(B)	(C)	(D)	(E)	(F)		
1	1	1A7450-17100	SHAFT ASSY,PST	1	1	1					
2	2	1A7450-17110	BRACKET,VALVE STEER	1	1	1					
3	2	198448-17190	SHAFT, STEERING	1	1	1					
4	2	22242-000170	CIRCLIP 17	1	1	1					
5	2	22252-000370	CIRCLIP 37	1	1	1					
6	2	22252-000400	CIRCLIP 40(H)	1	1	1					
7	2	24104-062030	BALL BEARING	2	2	2					
8	2	24421-173507	SEAL TC17 35 07, OIL	1	1	1					
9	1	1A7450-17501	VALVE ASSY,STEERING	1	1	1					
10	2	1A7450-17550	SEAL KIT,MAIN BODY	1	1	1					
11	2	1A7450-17560	SEAL KIT,VR VALVE	1	1	1					
12	2	1A7450-17570	NEEDLE BEARING KIT	1	1	1					
13	1	26106-080162	BOLT M 8X 16 PLATED	4	4	4					
14	1	26106-100202	BOLT M10X 20 PLATED	4	4	4					

Fig.36. POWER STEERING LINE

(A)=EG765-KPQ
 (B)=EG775-KPQ
 (C)=EG782-KPQ

(D)=
 (E)=
 (F)=

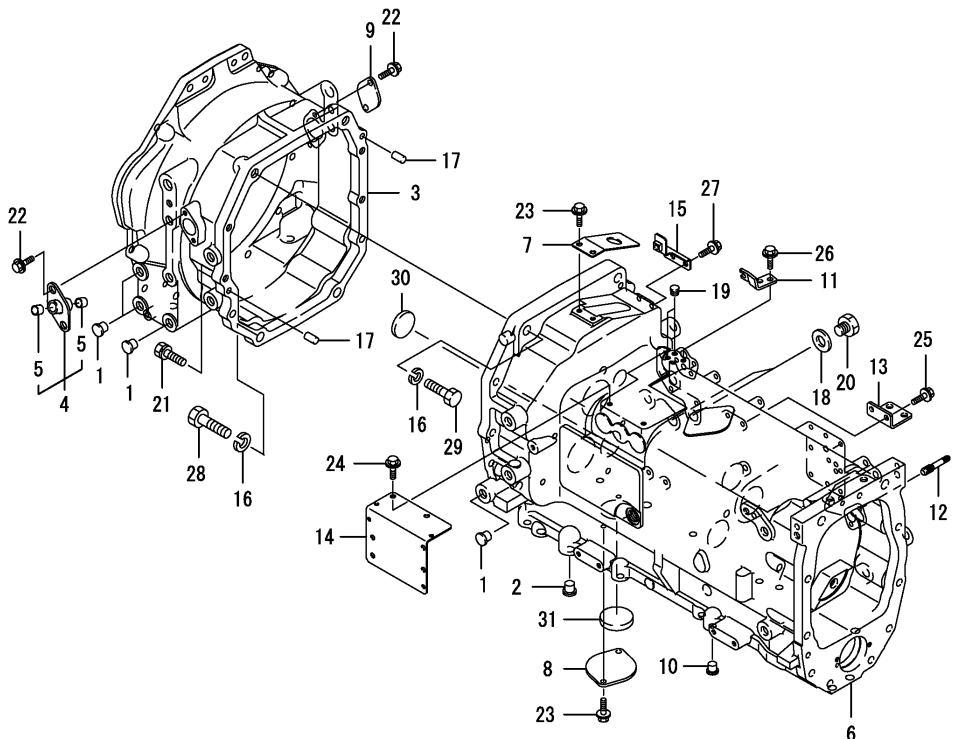


REF.	LEV.	PARTS NO.	DESCRIPTION	QTY						I	R
				(A)	(B)	(C)	(D)	(E)	(F)		
1	1	1A7450-17711	LINE ASSY,PRESSURE	1	1	1					
2	1	1A7450-17750	LINE ASSY,PRESSURE	1	1	1					
3	1	1A7450-17810	CLAMP	1	1	1					
4	1	198220-48750	CONNECTOR ASSY	1	1	1					
5	1	23414-180023	GASKET 18	2	2	2					
6	1	23414-180023	GASKET 18	4	4	4					
7	1	23857-120000	JOINT BOLT 12	2	2	2					
8	1	26013-060402	BOLT M 6X 40	4	4	4					
9	1	26106-080162	BOLT M 8X 16 PLATED	1	1	1					
10	1	26106-080162	BOLT M 8X 16 PLATED	2	2	2					
11	1	41850-000220	PACKING, 22.0	1	1	1					

Fig.38. CLUTCH HOUSING

(A)=EG765-KPQ
(B)=EG775-KPQ
(C)=EG782-KPQ

(D)=
(E)=
(F)=



REF.	LEV.	PARTS NO.	DESCRIPTION	QTY						I	R
				(A)	(B)	(C)	(D)	(E)	(F)		
1	1	194450-11190	PLUG 15	8	8	8					
2	1	194450-11190	PLUG 15	2	2	2					
3	1	1A7450-21060	HOUSING, FLYWHEEL	1	1	1					
4	1	1A7480-21080	COVER ASSY, SIDE	1	1	1					
5	2	24550-010100	BUSH 10X10, DRY	2	2	2					
6	1	1A7480-21111	HOUSING, CLUTCH	1	1	1					
7	1	1A7480-21130	COVER, UPPER	1	1	1					
8	1	198071-21140	COVER, HOUSING	1	1	1					
9	1	194146-21150	COVER, SIDE	1	1	1					
10	1	194150-21910	PLUG 11.2	2	2	2					
11	1	1A7480-22450	SUPPORT, CLUTCH CABLE	1	1	1					
12	1	1A7450-24180	BOLT, M8-M6	2	2	2					
13	1	1A7480-48310	STAY, FILTER	1	1	1					
14	1	1A7480-58220	PLATE, CLAMP	1	1	1					
15	1	1A7480-88180	STAY, HEATR PIPE	1	1	1					
16	1	22217-160000	SPRING WASHER 16	4	4	4					
17	1	22312-100180	PARALLEL PIN 10X 18	2	2	2					
18	1	23414-220000	PACKING 22, ROUND	2	2	2					
19	1	23871-010000	PLUG PT1/8, SCREW	2	2	2					
20	1	23887-220002	PLUG M22, HEX.	2	2	2					
21	1	26013-120402	BOLT M12X 40	6	6	6					
22	1	26106-080162	BOLT M 8X 16 PLATED	4	4	4					
23	1	26106-080162	BOLT M 8X 16 PLATED	4	4	4					
24	1	26106-080162	BOLT M 8X 16 PLATED	2	2	2					
25	1	26106-080162	BOLT M 8X 16 PLATED	2	2	2					
26	1	26106-080162	BOLT M 8X 16 PLATED	2	2	2					
27	1	26106-080162	BOLT M 8X 16 PLATED	2	2	2					
28	1	26116-160502	BOLT M16X 50 PLATED	2	2	2					
29	1	26116-160602	BOLT M16X 60 PLATED	2	2	2					
30	1	27260-470000	PLUG 47, BORE	1	1	1					
31	1	27260-550000	PLUG 55	1	1	1					

Fig.39. DOCKING BOLT

(A)=EG765-KPQ
 (B)=EG775-KPQ
 (C)=EG782-KPQ

(D)=
 (E)=
 (F)=

REF.	LEV.	PARTS NO.	DESCRIPTION	QTY						I	R
				(A)	(B)	(C)	(D)	(E)	(F)		
1	1	198240-21270	BOLT W/WASHER 12X30	7	7	7					
2	1	198448-21280	BOLT M12X 50	2	2	2					
3	1	22217-140000	SPRING WASHER 14	2	2	2					
4	1	22312-100180	PARALLEL PIN 10X 18	2	2	2					
5	1	26013-100452	BOLT M10X 45	2	2	2					
6	1	26116-140452	BOLT M14X 45 PLATED	2	2	2					

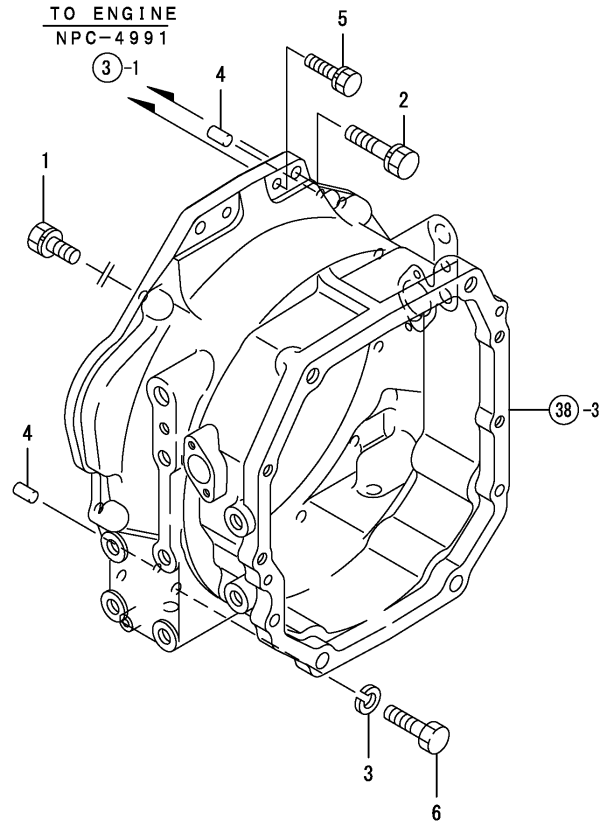


Fig.40. DAMPER DISC

(A)=EG765-KPQ
 (B)=EG775-KPQ
 (C)=EG782-KPQ

(D)=
 (E)=
 (F)=

REF.	LEV.	PARTS NO.	DESCRIPTION	Q'TY						I	R
				(A)	(B)	(C)	(D)	(E)	(F)		
1	1	1A7460-22150	DISK, DAMPER	1	1	1					
2	1	198448-22190	PARALLEL PIN 10X18	2	2	2					
3	1	26106-100162	BOLT M10X 16 PLATED	10	10	10					

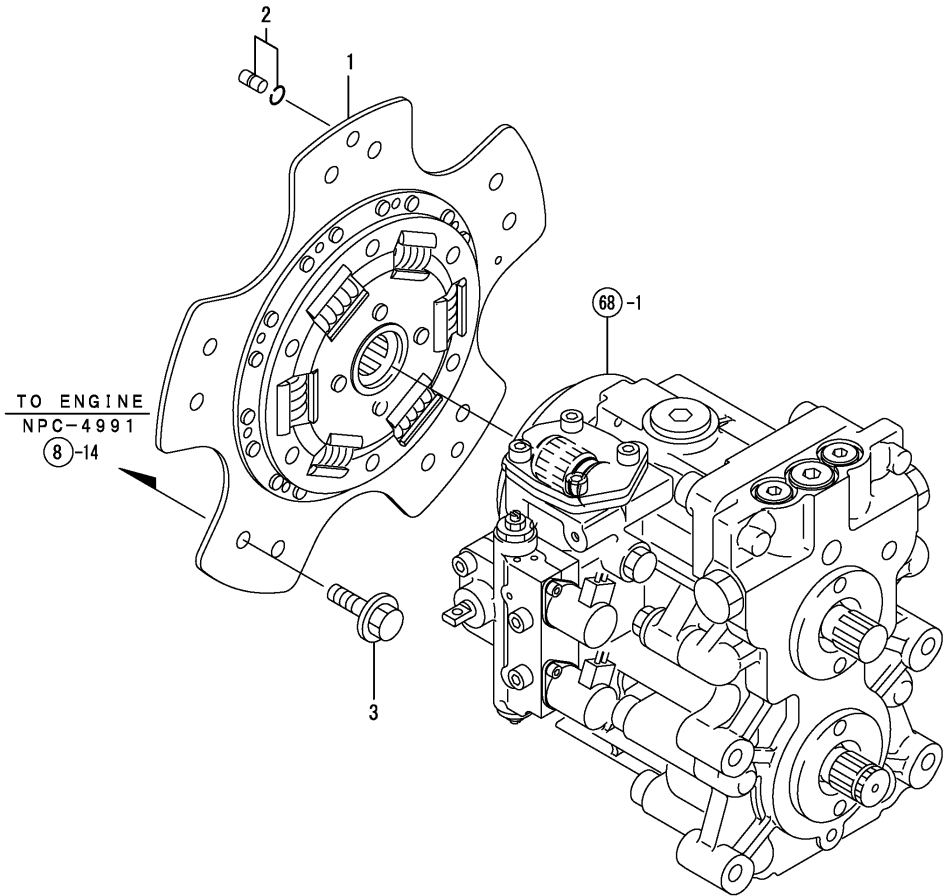
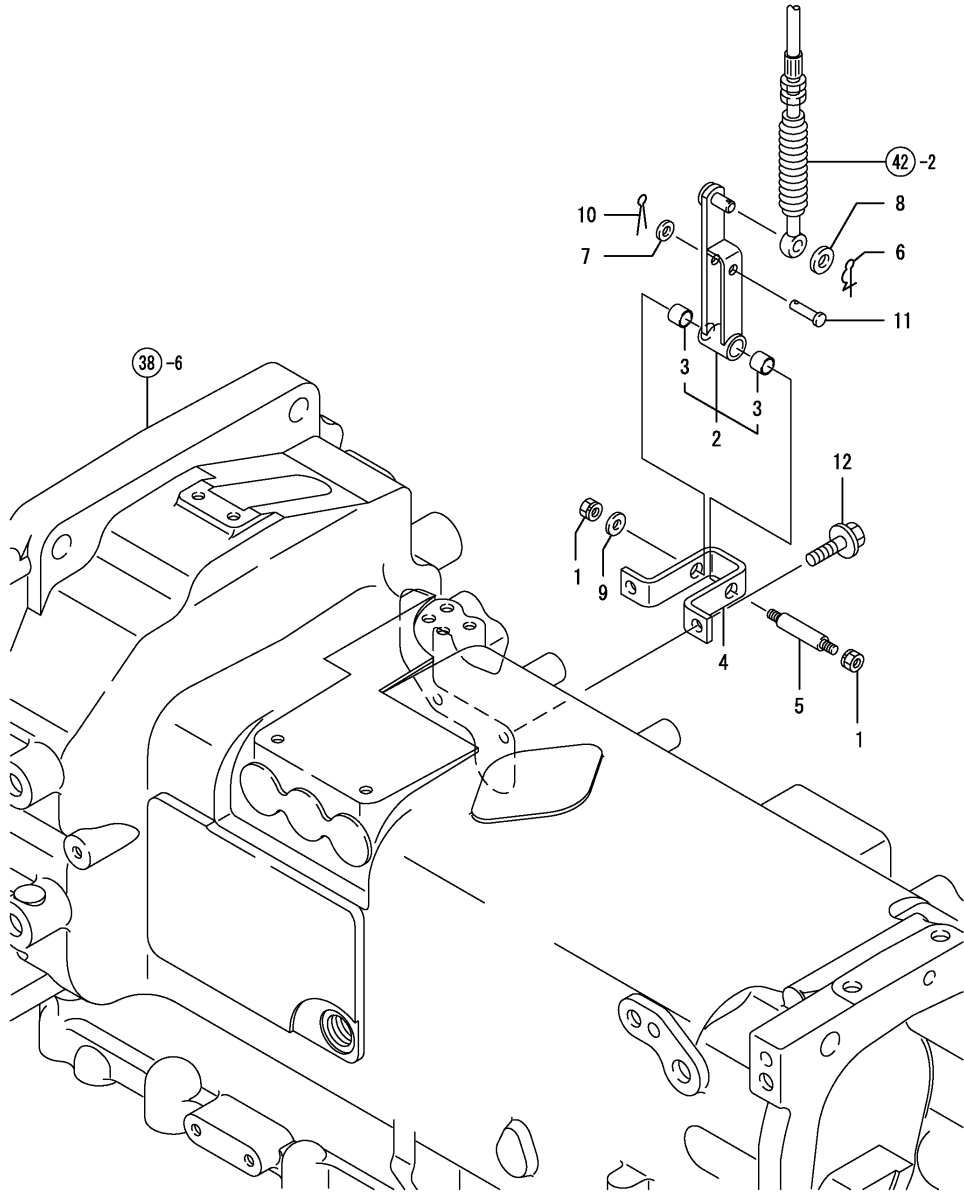


Fig.41. CLUTCH LINK(MAIN)

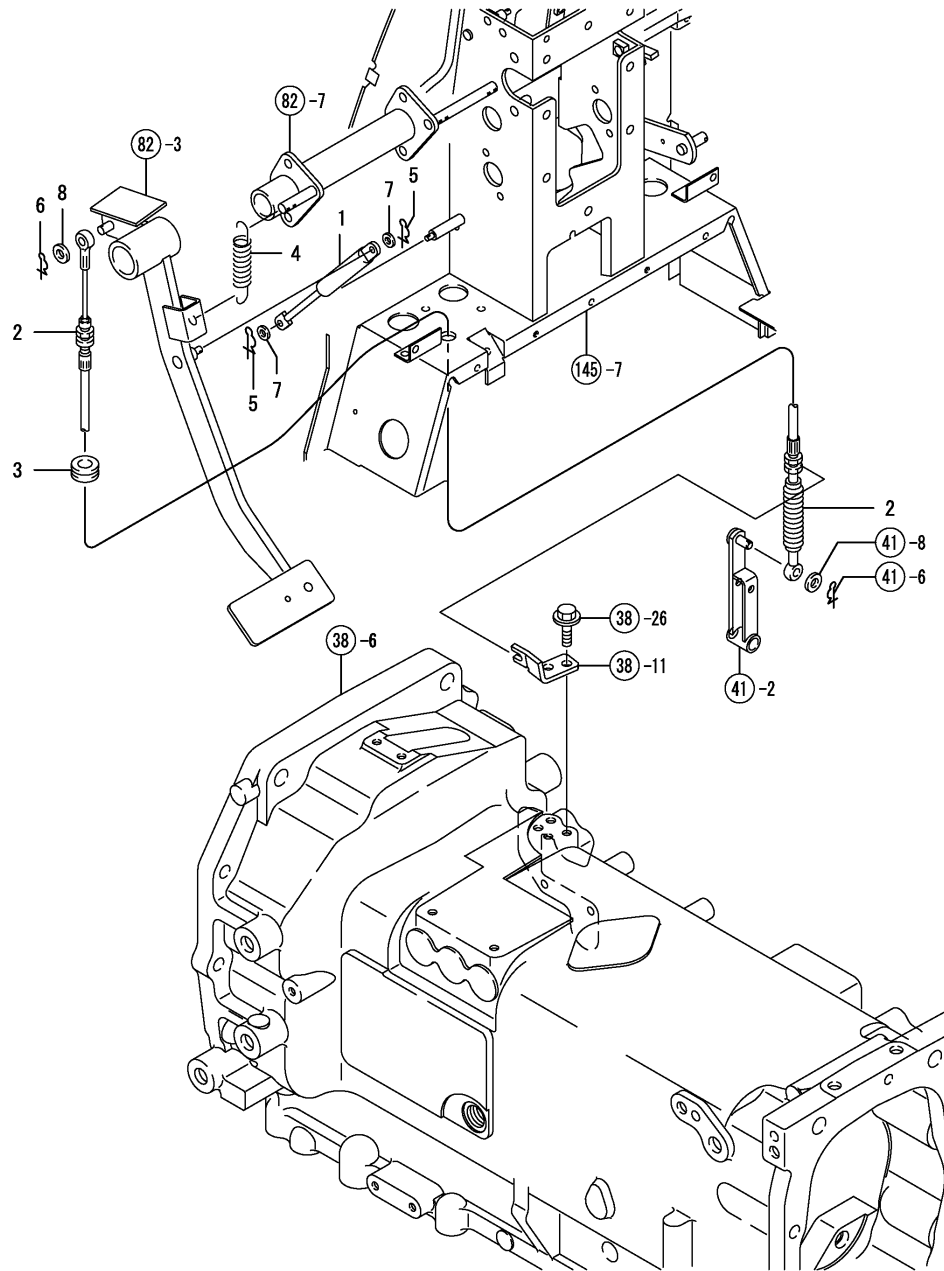
(A)=EG765-KPQ
 (B)=EG775-KPQ
 (C)=EG782-KPQ

(D)=
 (E)=
 (F)=



REF.	LEV.	PARTS NO.	DESCRIPTION	QTY						I	R
				(A)	(B)	(C)	(D)	(E)	(F)		
1	1	194990-22040	NUT W/WASHER 6	2	2	2					
2	1	1A7480-22430	ARM ASSY, CLUTCH	1	1	1					
3	2	24550-010100	BUSH 10X10, DRY	2	2	2					
4	1	1A7480-22440	STAY, ARM	1	1	1					
5	1	1A7480-22460	SHAFT, ARM	1	1	1					
6	1	1C6281-52320	PIN 8, COME-OFF SNAP	1	1	1					
7	1	22137-060000	WASHER 6, POLISHED	1	1	1					
8	1	22137-080000	WASHER 8, POLISHED	1	1	1					
9	1	22157-060000	WASHER 6	2	2	2					
10	1	22417-160180	COTTER PIN 1.6X18	1	1	1					
11	1	22487-060220	PIN 6X 22	1	1	1					
12	1	26106-080162	BOLT M 8X 16 PLATED	2	2	2					

Fig.42. CLUTCH LINK(CABIN FLOOR)



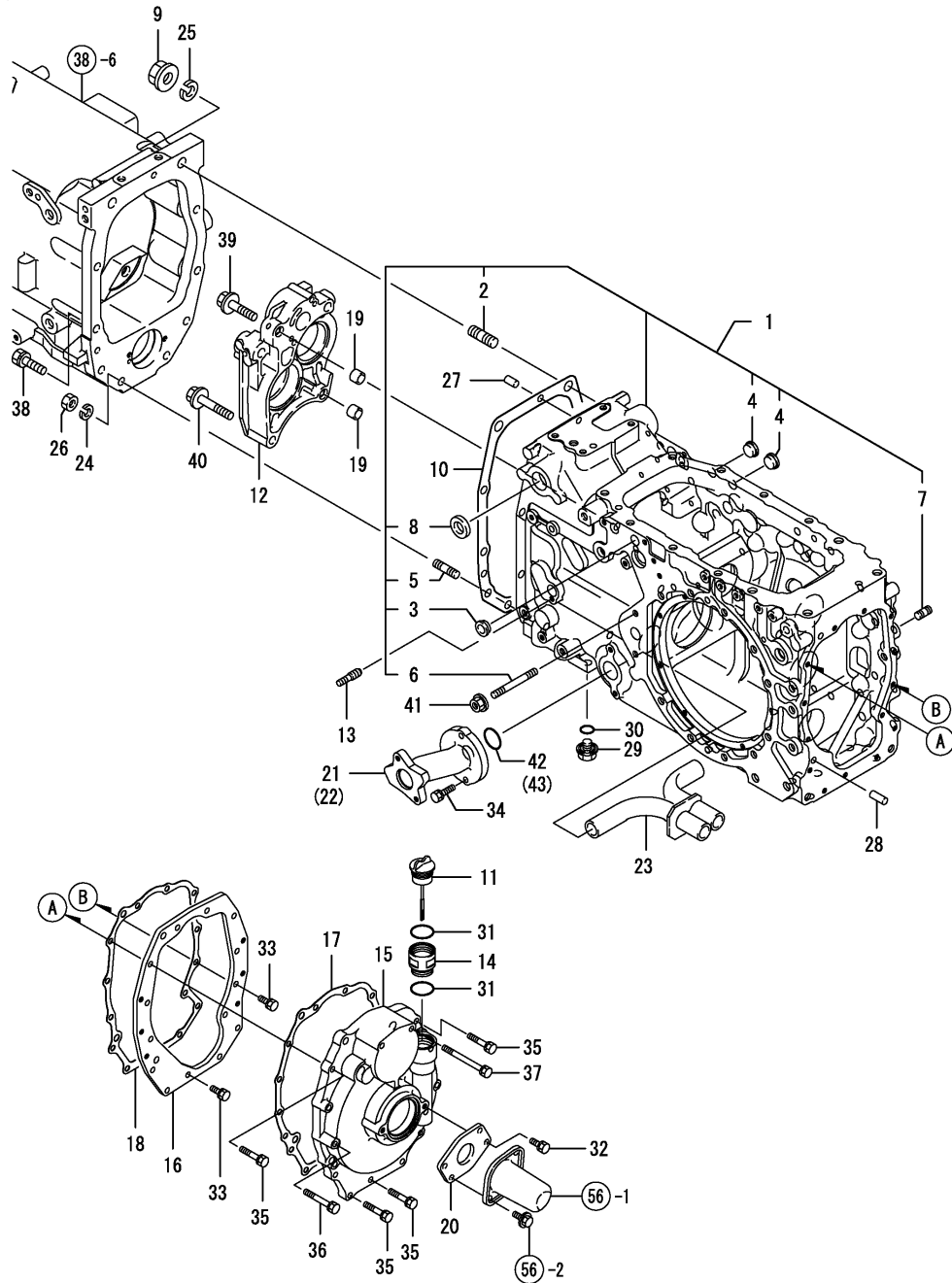
0CNP4-G99000 42. CLUTCH LINK(CABIN FLOOR)

(A)=EG765-KPQ
 (B)=EG775-KPQ
 (C)=EG782-KPQ

(D)=
 (E)=
 (F)=

REF.	LEV.	PARTS NO.	DESCRIPTION	QTY						I	R
				(A)	(B)	(C)	(D)	(E)	(F)		
1	1	198448-15450	DAMPER(TILT SIDE)	1	1	1					
2	1	1A7480-22510	CABLE,CLUTCH	1	1	1					
3	1	198448-22520	GROMMET,CLUTCH WIRE	1	1	1					
4	1	198290-37510	SPRING,RETURN	1	1	1					
5	1	1C6281-52310	PIN 6,COME-OFF SNAP	2	2	2					
6	1	1C6281-52320	PIN 8,COME-OFF SNAP	1	1	1					
7	1	22137-060000	WASHER 6, POLISHED	2	2	2					
8	1	22137-080000	WASHER 8, POLISHED	1	1	1					

Fig.43. TRANSMISSION CASE



(A)=EG765-KPQ
(B)=EG775-KPQ
(C)=EG782-KPQ

(D)=
(E)=
(F)=

REF.	LEV.	PARTS NO.	DESCRIPTION	QTY						I	R
				(A)	(B)	(C)	(D)	(E)	(F)		
1	1	1A7480-24100	HOUSING ,T/M	1	1	1					
2	2	1A7450-24140	BOLT, M16X55	2	2	2					
3	2	1A7450-24170	BORE PLUG,17	1	1	1					
4	2	1A7450-24170	BORE PLUG,17	2	2	2					
5	2	198240-24530	STUD 12*45	2	2	2					
6	2	26218-100902	STUD M10X 90 PLATED	2	2	2					
7	2	26218-120252	STUD,BOLT 12X25	2	2	2					Z
		(A=*2008.10.) (B=*2008.10.) (C=*2008.10.)									
8	2	41868-300000	PLUG 30 ACM BORE	1	1	1					
9	1	198535-24120	NUT 16	2	2	2					
10	1	198212-24140	GASKET, TRANS.	1	1	1					
11	1	1A7450-24150	PLUG,OIL M33X50	1	1	1					
12	1	1A7450-24160	RETAINER, BEARING	1	1	1					
13	1	1A7450-24180	BOLT, M8-M6	1	1	1					
14	1	1A7450-24190	PIPE(FILLER	1	1	1					
15	1	1A7450-24230	COVER, REAR	1	1	1					
16	1	1A7450-24240	SPACER,COVER REAR	1	1	1					
17	1	1A7450-24250	GASKET, COVER REAR	1	1	1					
18	1	1A7450-24270	GASKET, COVER F	1	1	1					
19	1	198071-24340	COLLAR 13X17X14	2	2	2					
20	1	198255-24460	PLATE, OIL SEAL	1	1	1					
21	1	1A7450-24920	PIPE, FILTER L.H.	1	1	1					
22	1	1A7450-24930	PIPE, FILTER R.H.	1	1	1					
23	1	198448-24940	PIPE, SUCTION INNER	1	1	1					
24	1	22217-120000	SPRING WASHER 12	2	2	2					
25	1	22217-160000	SPRING WASHER 16	2	2	2					
26	1	26716-120002	NUT 12	2	2	2					
27	1	22312-100180	PARALLEL PIN 10X 18	2	2	2					
28	1	22312-100250	PARALLEL PIN 10X25	2	2	2					
29	1	23491-140002	PLUG 14	1	1	1					
30	1	24311-000160	O-RING 1A P-16.0	1	1	1					
31	1	24351-020300	O-RING 1A 2030	2	2	2					
32	1	26013-080122	BOLT M 8X 12	2	2	2					
33	1	26013-080202	BOLT W/WASHER M8X20	5	5	5					
34	1	26013-080252	BOLT M 8X 25	4	4	4					
34-1	1	26106-080252	BOLT M 8X 25 PLATED	4	4	4					R
		(A=FXXXXXX) (B=FXXXXXX) (C=FXXXXXX)									
35	1	26013-080402	BOLT M 8X 40	11	11	11					
36	1	26013-080552	BOLT M 8X 55	2	2	2					
37	1	26013-080852	BOLT M 8X 85	2	2	2					
38	1	26013-120402	BOLT M12X 40	6	6	6					
39	1	26108-120502	BOLT 12* 50	2	2	2					
40	1	26108-120652	BOLT 12* 65	2	2	2					
41	1	26366-100002	NUT M10	2	2	2					
42	1	41852-000300	PACKING, 30.0	1	1	1					
43	1	41852-000650	PACKING, 65.0	1	1	1					

Fig.44. CENTER PLATE

0CNP4-G99000 44. CENTER PLATE

(A)=EG765-KPQ
 (B)=EG775-KPQ
 (C)=EG782-KPQ

(D)=
 (E)=
 (F)=

REF.	LEV.	PARTS NO.	DESCRIPTION	QTY						I	R
				(A)	(B)	(C)	(D)	(E)	(F)		
1	1	1A7480-24300	PLATE ASSY, CENTER	1	1	1					
2	2	23871-010000	PLUG PT1/8,SCREW	2	2	2					
3	1	198071-24340	COLLAR 13X17X14	2	2	2					
4	1	26108-120502	BOLT 12* 50	3	3	3					

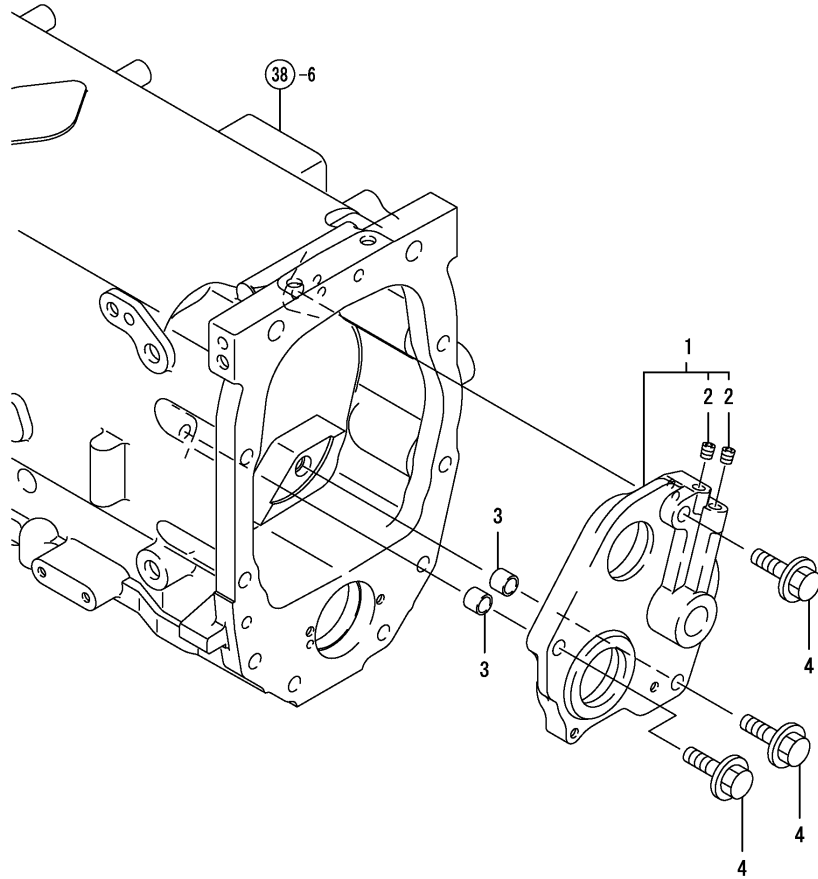
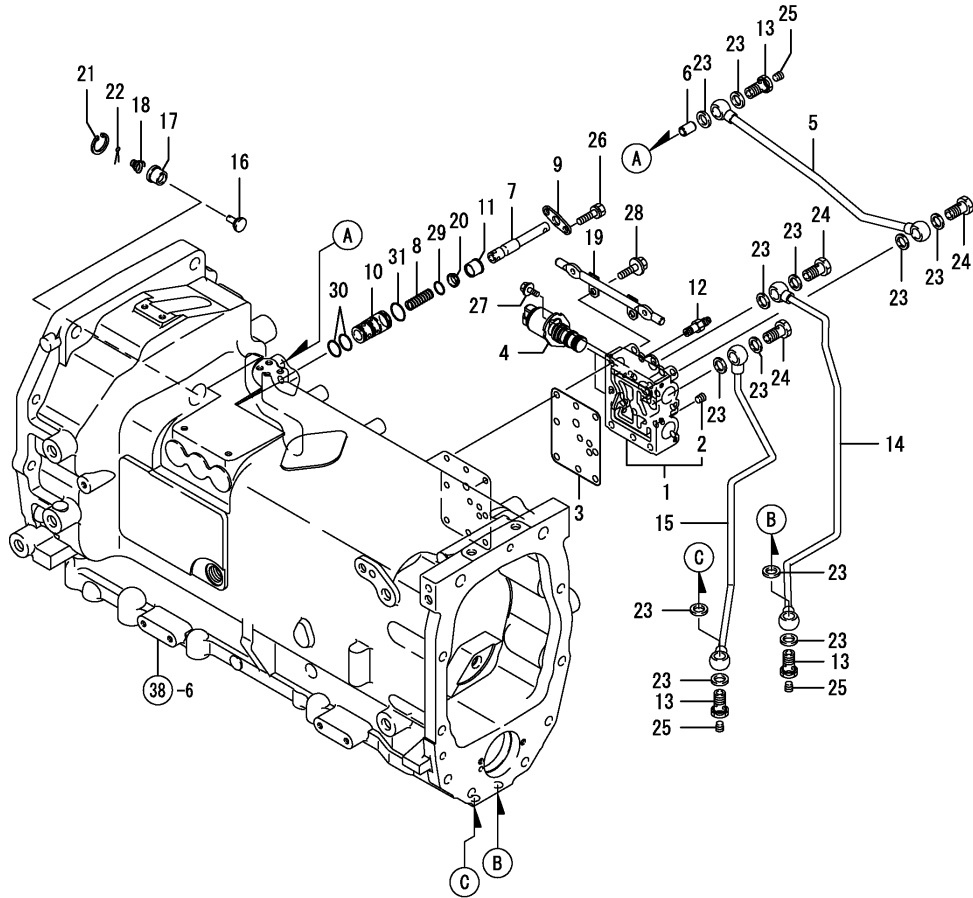


Fig.45. MAIN VALVE



(A)=EG765-KPQ
(B)=EG775-KPQ
(C)=EG782-KPQ

(D)=
(E)=
(F)=

REF.	LEV.	PARTS NO.	DESCRIPTION	QTY						I	R
				(A)	(B)	(C)	(D)	(E)	(F)		
1	1	1A7480-24401	BODY CMP,VALVE	1	1	1					
2	2	23871-010000	PLUG PT1/8,SCREW	2	2	2					
3	1	1A7480-24420	GASKET,VALVE BODY	1	1	1					
4	1	1A7090-24430	SOLENOID VALVE	4	4	4					
5	1	1A7480-24430	PIPE,MAIN	1	1	1					
6	1	1A7480-24440	BUSHINNG	1	1	1					
7	1	1A7480-24451	SPOOL	1	1	1					
8	1	1A7480-24460	SPRING	1	1	1					
9	1	1A7480-24470	PLATE	1	1	1					
10	1	1A7480-24481	SLEEVE	1	1	1					
11	1	1A7480-24490	SLEEVE,SEAL	1	1	1					
12	1	1A7480-24510	JOINT 1/8	1	1	1					
13	1	198448-28430	BOLT M14,PIPE JOINT	3	3	3					
14	1	1A7480-28440	PIPE,4WD	1	1	1					
15	1	1A7480-28450	PIPE,HG	1	1	1					
16	1	1E6190-55660	VALVE, 2ND RELIEF	1	1	1					
17	1	1E6190-55710	SEAT, 2ND RELIEF	1	1	1					
18	1	1E6480-56410	VALVE,2ND RELIEF	1	1	1					
19	1	1A7480-58210	ROD,HARNES	1	1	1					
20	1	172510-74410	SEAL, DUST	1	1	1					
21	1	22252-000240	CIRCLIP 24	1	1	1					
22	1	22417-200100	COTTER PIN 2.0X10	1	1	1					
23	1	23414-140018	GASKET 14	12	12	12					
24	1	23857-080000	JOINT BOLT 8,PIPE	3	3	3					
25	1	23871-010000	PLUG PT1/8,SCREW	3	3	3					
26	1	26013-080162	BOLT W/WASHER M8X16	2	2	2					
27	1	26106-060082	BOLT M 6X 8 PLATED	8	8	8					
28	1	26106-080502	BOLT M 8X 50 PLATED	9	9	9					
29	1	41850-000140	O RING 14.0 ACM	1	1	1					
30	1	41850-000180	PACKING, 18.0	2	2	2					
31	1	41850-000200	PACKING, 20.0	1	1	1					

Fig.46. PTO. VALVE

(A)=EG765-KPQ
 (B)=EG775-KPQ
 (C)=EG782-KPQ

(D)=
 (E)=
 (F)=

REF.	LEV.	PARTS NO.	DESCRIPTION	QTY						I	R
				(A)	(B)	(C)	(D)	(E)	(F)		
1	1	1A7450-24600	VALVE ASSY, PTO	1	1	1					
2	1	194310-24770	SPRING	1	1	1					
3	1	198212-24910	GASKET, PTO VALVE	1	1	1					
4	1	198448-33280	BRACKET, CABLE	1	1	1					
5	1	1E6190-55660	VALVE, 2ND RELIEF	1	1	1					
6	1	1E6190-55710	SEAT, 2ND RELIEF	1	1	1					
7	1	22117-060000	WASHER 6	1	1	1					
8	1	22417-200100	COTTER PIN 2.0X10	1	1	1					
9	1	26013-080802	BOLT M 8X 80	2	2	2					
9-1	1	26013-080802	BOLT M 8X 80	2	2	2					R
		(A=FXXXXXX) (B=FXXXXXX) (C=FXXXXXX)									
10	1	26013-080852	BOLT M 8X 85	3	3	3					
10-1	1	26013-080852	BOLT M 8X 85	3	3	3					R
		(A=FXXXXXX) (B=FXXXXXX) (C=FXXXXXX)									

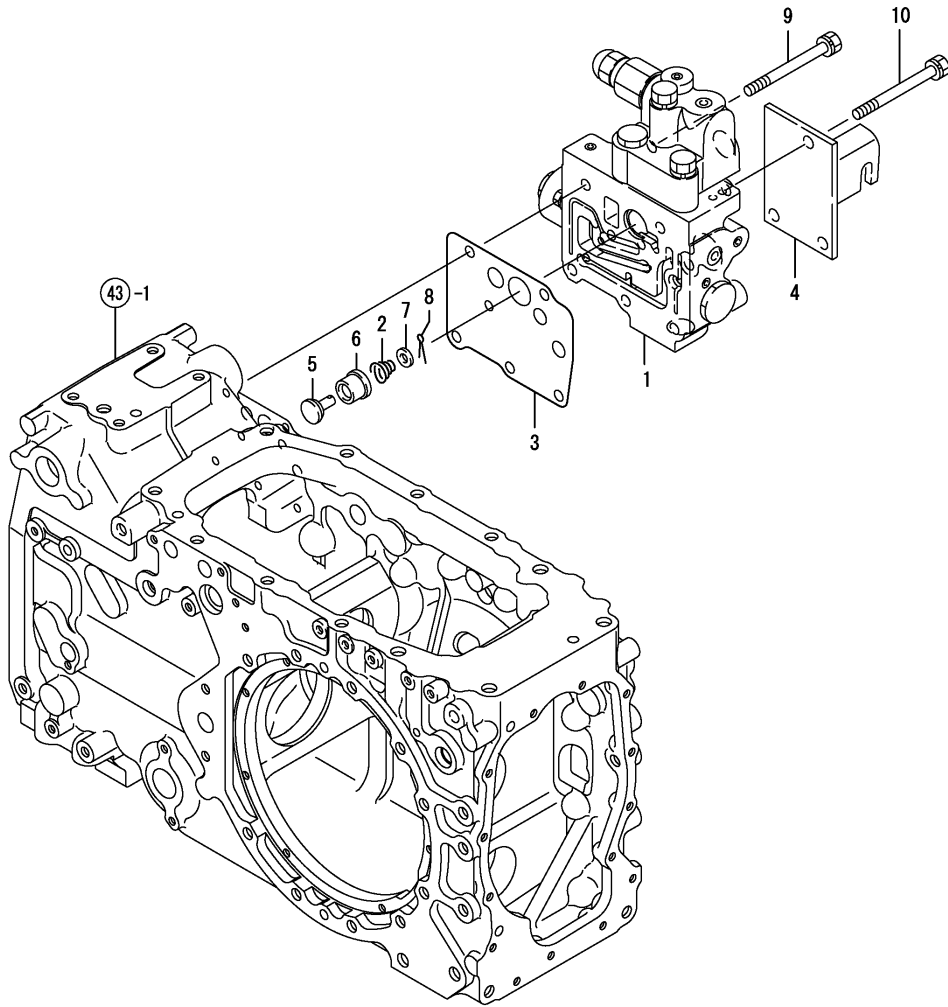
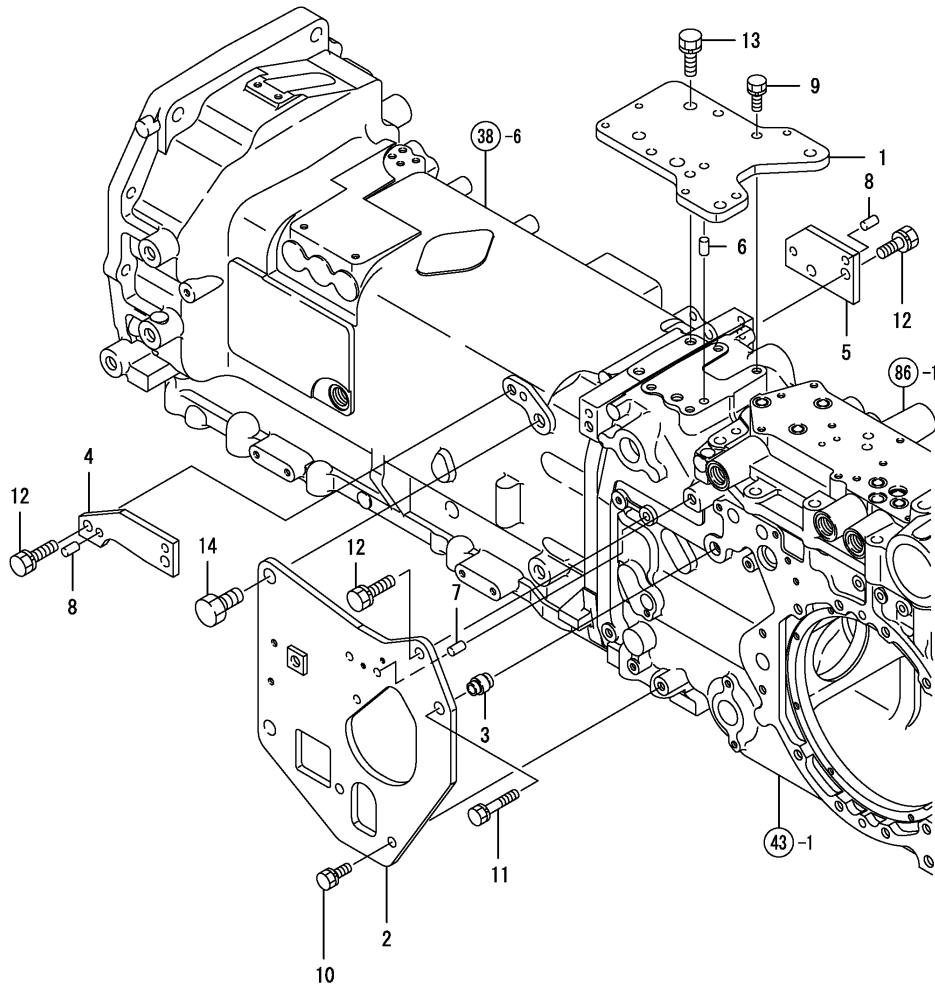


Fig.47. SUPPORT PLATE

0CNP4-G99000 47. SUPPORT PLATE

(A)=EG765-KPQ
 (B)=EG775-KPQ
 (C)=EG782-KPQ

(D)=
 (E)=
 (F)=



REF.	LEV.	PARTS NO.	DESCRIPTION	QTY						I	R
				(A)	(B)	(C)	(D)	(E)	(F)		
1	1	1A7450-24810	PLATE,SUPPORT UP	1	1	1					
2	1	1A7450-24821	PLATE,SUPPORT L	1	1	1					
3	1	1A7450-24860	COLLAR	1	1	1					
4	1	1A7450-24870	PLATE L,SUPPORT	1	1	1					
5	1	1A7450-24880	PLATE R,SUPPORT	1	1	1					
6	1	22312-100180	PARALLEL PIN 10X 18	2	2	2					
7	1	22312-100180	PARALLEL PIN 10X 18	1	1	1					
8	1	22312-100180	PARALLEL PIN 10X 18	4	4	4					
9	1	26013-100252	BOLT W/WASHER M10X25	4	4	4					
10	1	26013-100252	BOLT W/WASHER M10X25	2	2	2					
11	1	26013-100452	BOLT M10X 45	1	1	1					
12	1	26013-120302	BOLT W/WASHER M12X30	4	4	4					
13	1	26013-120352	BOLT M12X 35	2	2	2					
14	1	26116-160352	BOLT M16X 35 PLATED	2	2	2					

Fig.48. MAIN SHAFT

(A)=EG765-KPQ
 (B)=EG775-KPQ
 (C)=EG782-KPQ

(D)=
 (E)=
 (F)=

REF.	LEV.	PARTS NO.	DESCRIPTION	Q'TY						I	R
				(A)	(B)	(C)	(D)	(E)	(F)		
1	1	1A7480-25110	SHAFT,DRIVE PTO	1	1	1					
2	1	1A7480-25120	GEAR, MAIN 25	1	1	1					
3	1	194312-25470	SPACER 30X40X2	1	1	1					
4	1	194640-26440	BALL BEARING	1	1	1					
5	1	194850-31380	BALL BEARING	1	1	1					

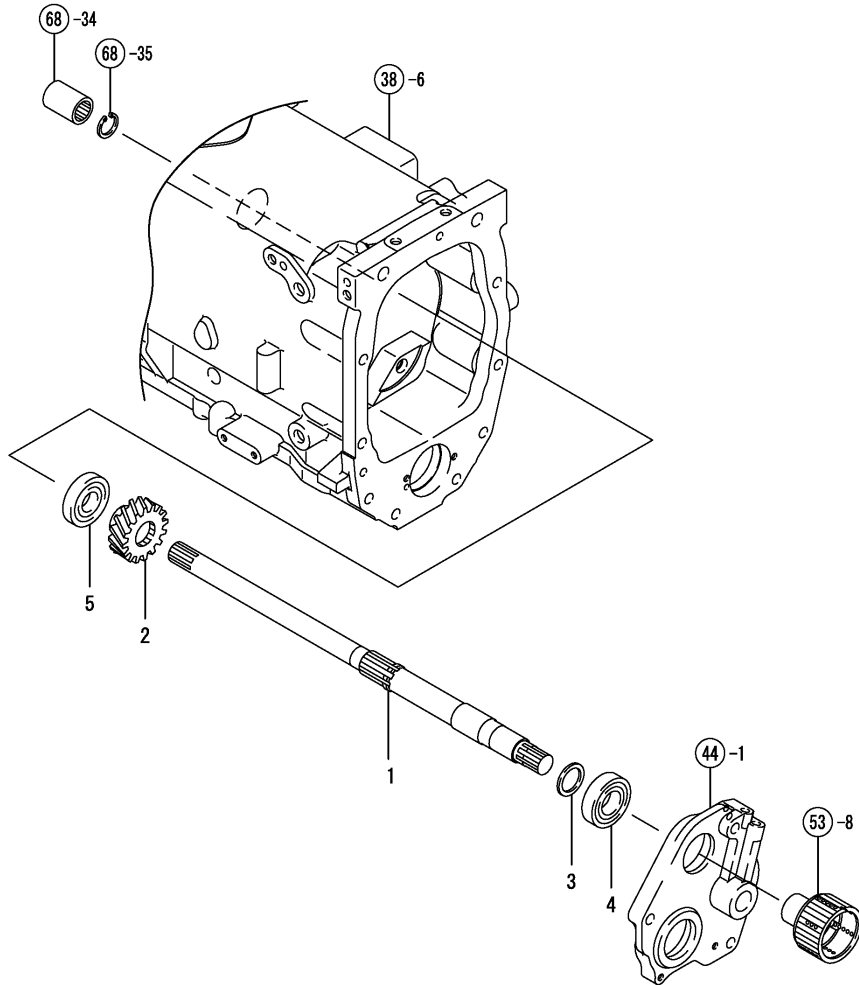
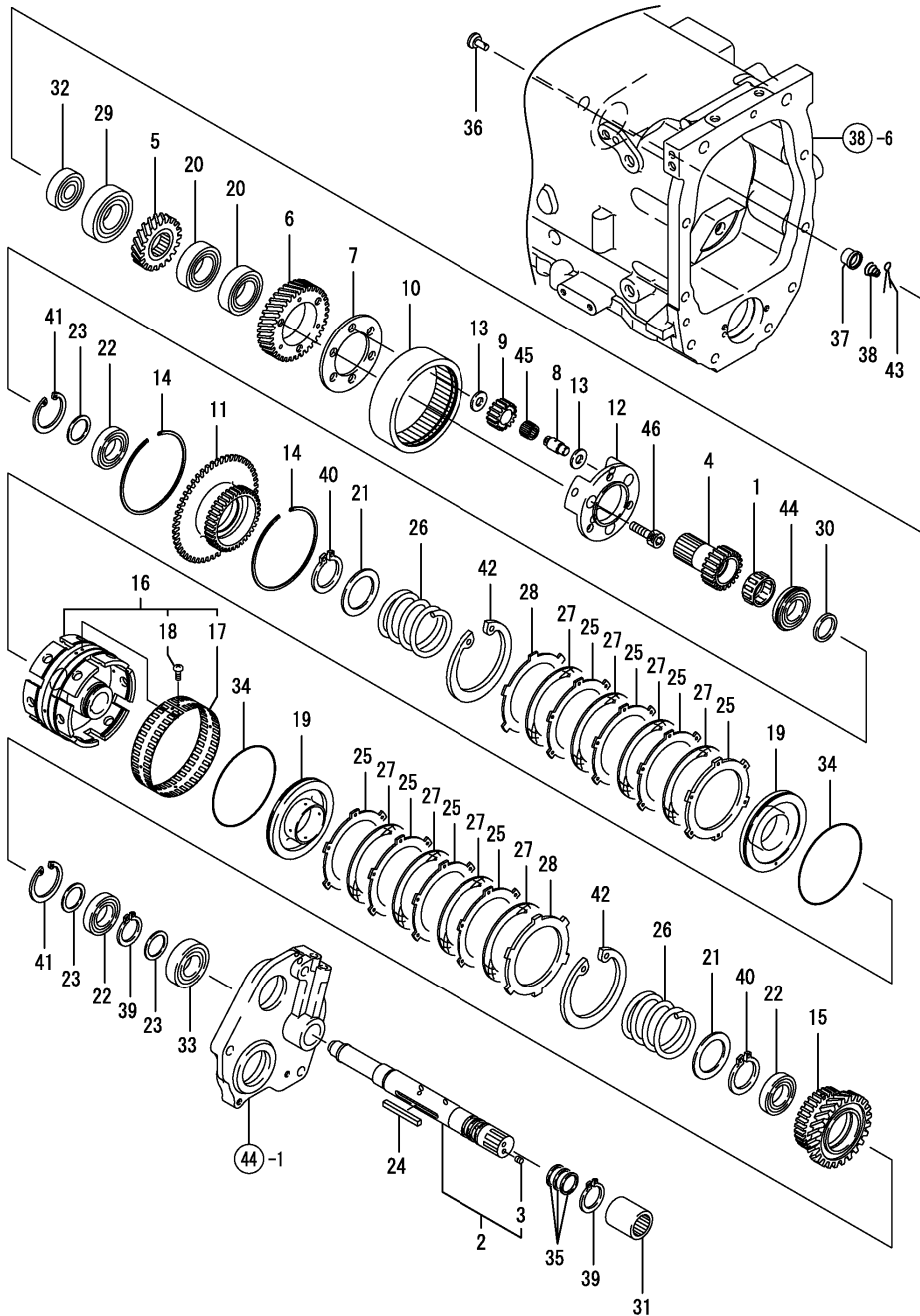


Fig.49. CLUTCH SHAFT

(A)=EG765-KPQ
(B)=EG775-KPQ
(C)=EG782-KPQ

(D)=
(E)=
(F)=



REF.	LEV.	PARTS NO.	DESCRIPTION	QTY						I	R
				(A)	(B)	(C)	(D)	(E)	(F)		
1	1	194311-13880	NEEDLE BEARING	1	1	1					
2	1	1A7480-25201	SHAFT, CLUTCH ASSY	1	1	1					
3	2	1E6191-54330	SCREW 7X8	2	2	2					
4	1	1A7480-25220	GEAR 21,SUN	1	1	1					
5	1	1A7480-25230	GEAR 20,CHANGE	1	1	1					
6	1	1A7480-25240	GEAR 39,CARRIER	1	1	1					
7	1	1A7480-25250	PLATE,CARRIER	1	1	1					
8	1	1A7480-25260	SHAFT,PLANET.	3	3	3					
9	1	1A7480-25271	PINION 14,PLANET.	3	3	3					
10	1	1A7480-25280	GEAR 50,INTERNAL	1	1	1					
11	1	1A7480-25290	HUB,HMT CLUTCH	1	1	1					
12	1	1A7480-25300	CARRIER,PLANETARY	1	1	1					
13	1	1A7480-25310	WASHER 13X3,THRUST	6	6	6					
14	1	1A7480-25320	RING 114,RETAINING	2	2	2					
15	1	1A7480-25340	GEAR, CLUTCH 37	1	1	1					
16	1	1A7480-25400	CYLIDER CLUTCH	1	1	1					
17	2	1A7480-25430	RING,PULSE	1	1	1					
18	2	26557-030062	SCREW M 3X 6	5	5	5					
19	1	1A7480-25410	PISTON, 95 CLUTCH	2	2	2					
20	1	198440-25430	BEARING TMB007C	2	2	2					
21	1	1A7480-25440	WASHER 46X65X2.6	2	2	2					
22	1	194430-25460	BALL BEARING 16006	3	3	3					
23	1	194312-25470	SPACER 30X40X2	3	3	3					
24	1	198071-25590	KEY 7X5.8X68	1	1	1					
25	1	194335-25640	PLATE 1.2, STEEL	8	8	8					
26	1	194320-25650	SPRING, RETURN	2	2	2					
27	1	194335-25650	PLATE, FRICTION	8	8	8					
28	1	194327-25660	PLATE 4.0, STEEL	2	2	2					
29	1	194430-25810	BALL BEARING	1	1	1					
30	1	198165-25840	COLLAR 30*38*4.5	1	1	1					
31	1	194640-26130	COUPLING	1	1	1					
32	1	194680-26150	BEARING (TM304)	1	1	1					
33	1	194640-26440	BALL BEARING	1	1	1					
34	1	194066-28260	D-RING	2	2	2					
35	1	198451-28750	RING 262730073,SEAL	3	3	3					
36	1	1E6190-55660	VALVE, 2ND RELIEF	1	1	1					
37	1	1E6190-55710	SEAT, 2ND RELIEF	1	1	1					
38	1	1E6480-56410	VALVE,2ND RELIEF	1	1	1					
39	1	22242-000300	CIRCLIP 30	2	2	2					
40	1	22242-000450	CIRCLIP 45	2	2	2					
41	1	22252-000550	CIRCLIP 55	2	2	2					
42	1	22252-001100	CIRCLIP 110	2	2	2					
43	1	22417-200100	COTTER PIN 2.0X10	1	1	1					
44	1	24121-060064	BALL BEARING	1	1	1					
45	1	24161-152117	NEEDLE BEARING	3	3	3					
46	1	26450-100452	BOLT M10X 45	3	3	3					

Fig.50. MORTOR SHAFT

(A)=EG765-KPQ
 (B)=EG775-KPQ
 (C)=EG782-KPQ

(D)=
 (E)=
 (F)=

REF.	LEV.	PARTS NO.	DESCRIPTION	Q'TY						I	R
				(A)	(B)	(C)	(D)	(E)	(F)		
1	1	1A7480-25350	SHAFT,MOTOR	1	1	1					
2	1	1A7480-25360	GEA4R 31,MOTOR	1	1	1					
3	1	1A7480-25370	GEAR 25,MOTOR	1	1	1					
4	1	194190-26840	SPACER 25X36X1.6	2	2	2					
5	1	24101-063054	BEARING #6305	2	2	2					

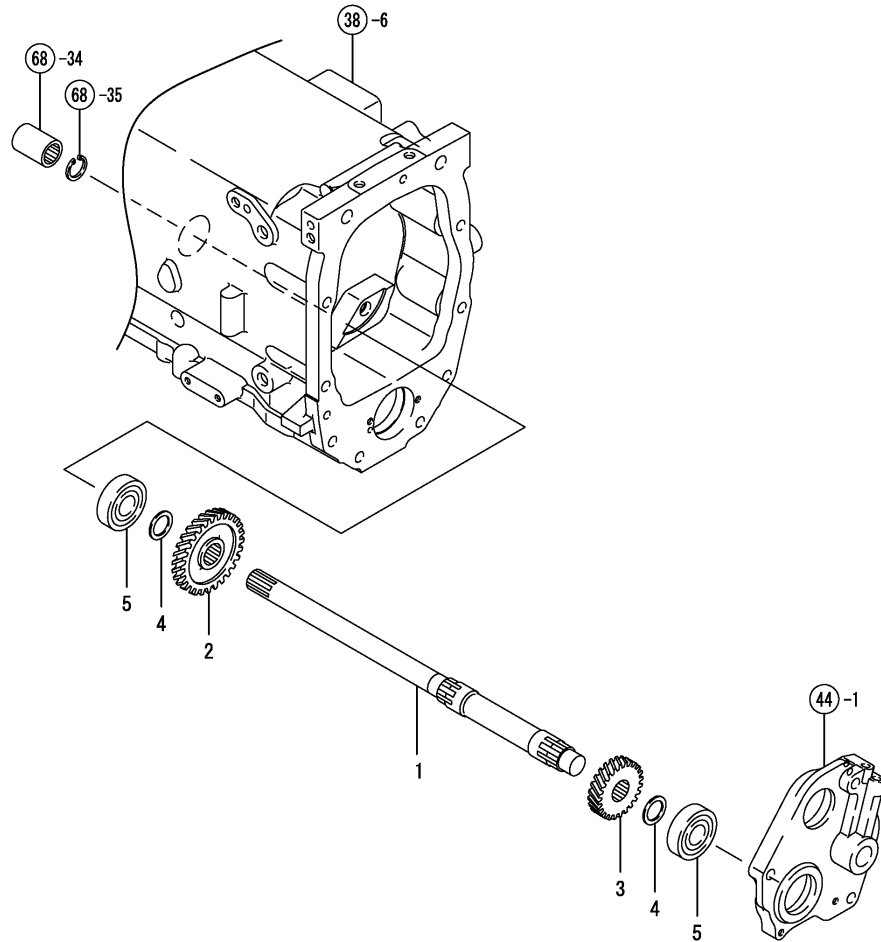
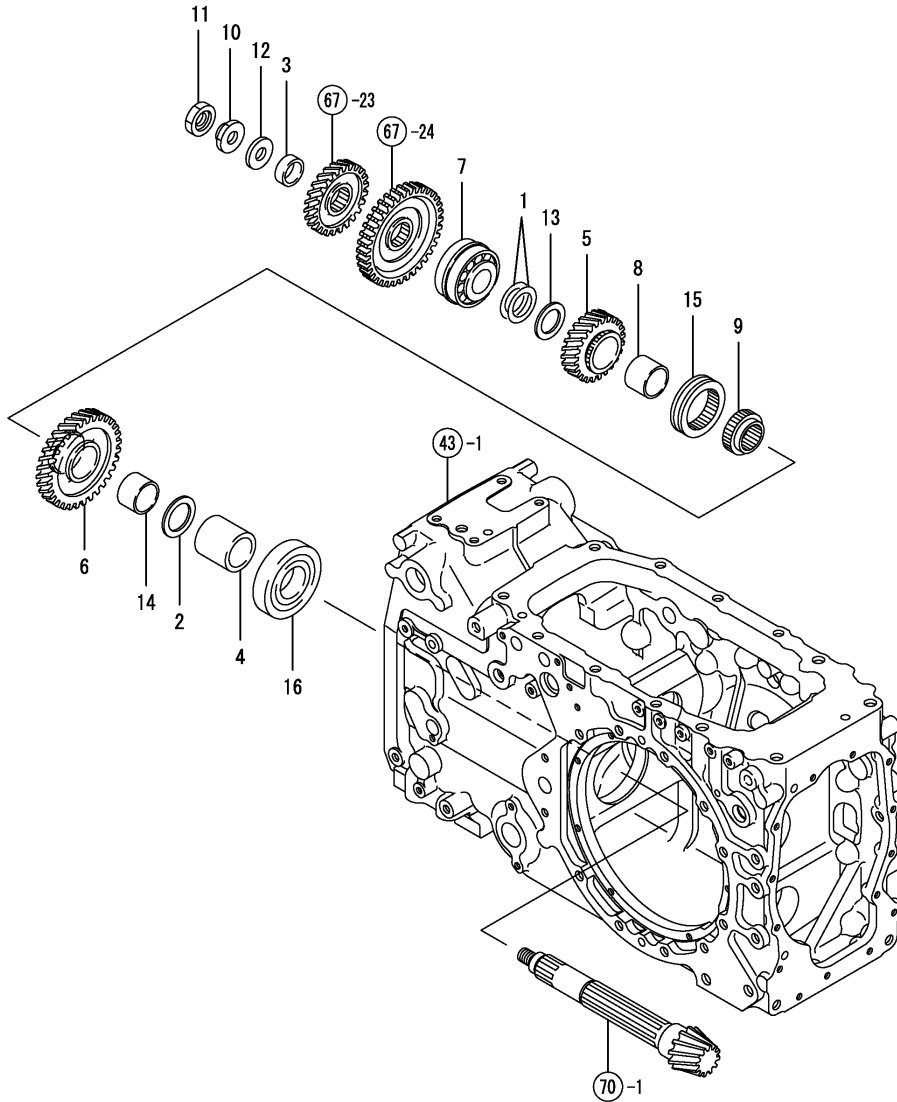


Fig.51. COUNTER SHAFT

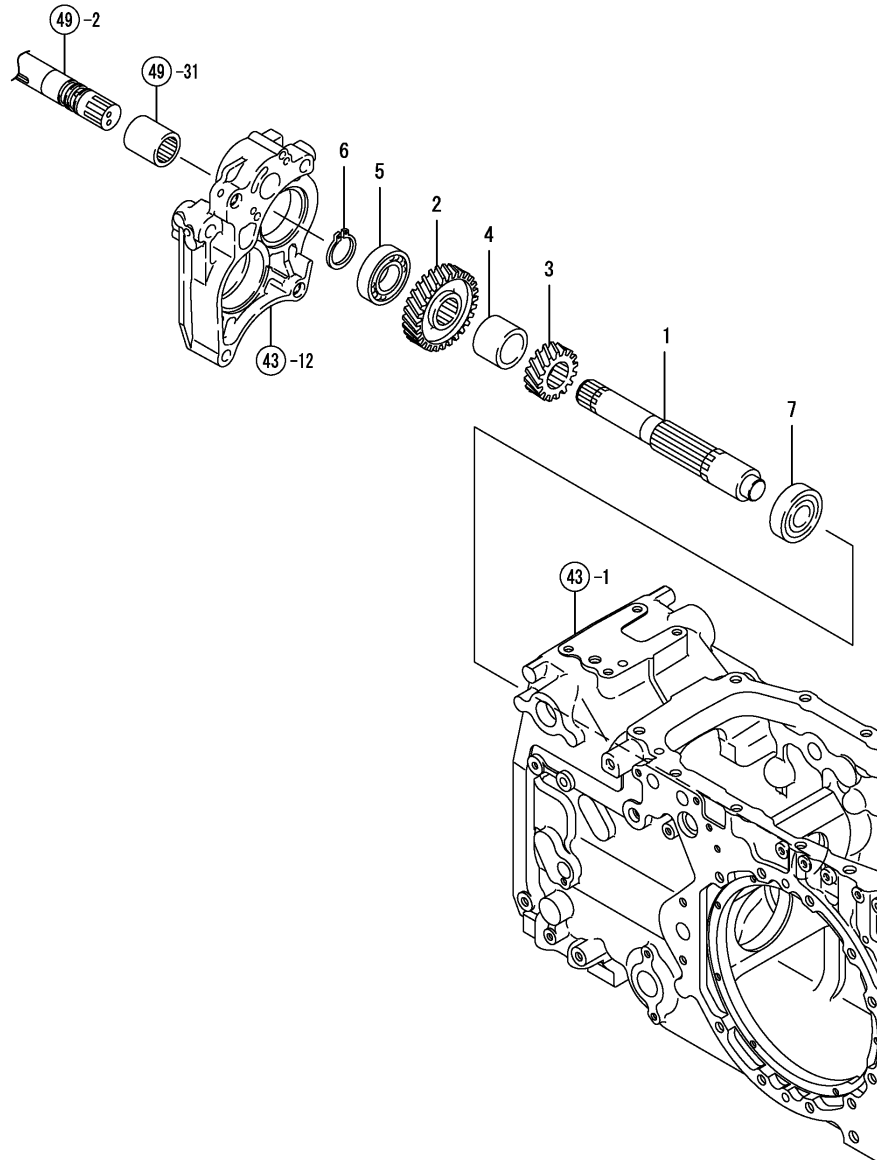
(A)=EG765-KPQ
 (B)=EG775-KPQ
 (C)=EG782-KPQ

(D)=
 (E)=
 (F)=



REF.	LEV.	PARTS NO.	DESCRIPTION	QTY						I	R
				(A)	(B)	(C)	(D)	(E)	(F)		
1	1	194301-12730	SHIM T=0.1	2	2	2					
2	1	194180-25550	WASHER 35X50X3	1	1	1					
3	1	1A7480-25550	COLLER 25X12	1	1	1					
4	1	1A7480-25560	COLLER 35X49	1	1	1					
5	1	1A7480-25570	GEAR 26,COUNTER	1	1	1					
6	1	1A7480-25590	GEAR 35,COUNTER	1	1	1					
7	1	194464-25600	BEARING, COUNTER	1	1	1					
8	1	198212-25680	BUSHING 34*40*30	1	1	1					
9	1	198149-25790	COLLAR, SPLINE	1	1	1					
10	1	198220-25830	NUT 16, LOWER	1	1	1					
11	1	198220-25840	NUT16, UPPER	1	1	1					
12	1	198415-25840	WASHER 16X38X4.5	1	1	1					
13	1	194640-25860	WASHER 30.3X45X3	1	1	1					
14	1	198133-25860	BUSHING 34X40X26	1	1	1					
15	1	198149-25890	SHIFTER	1	1	1					
16	1	1E8450-55230	BEARING, NJ308E	1	1	1					

Fig.52. REDUCTION SHAFT



0CNP4-G99000 52. REDUCTION SHAFT

(A)=EG765-KPQ
(B)=EG775-KPQ
(C)=EG782-KPQ

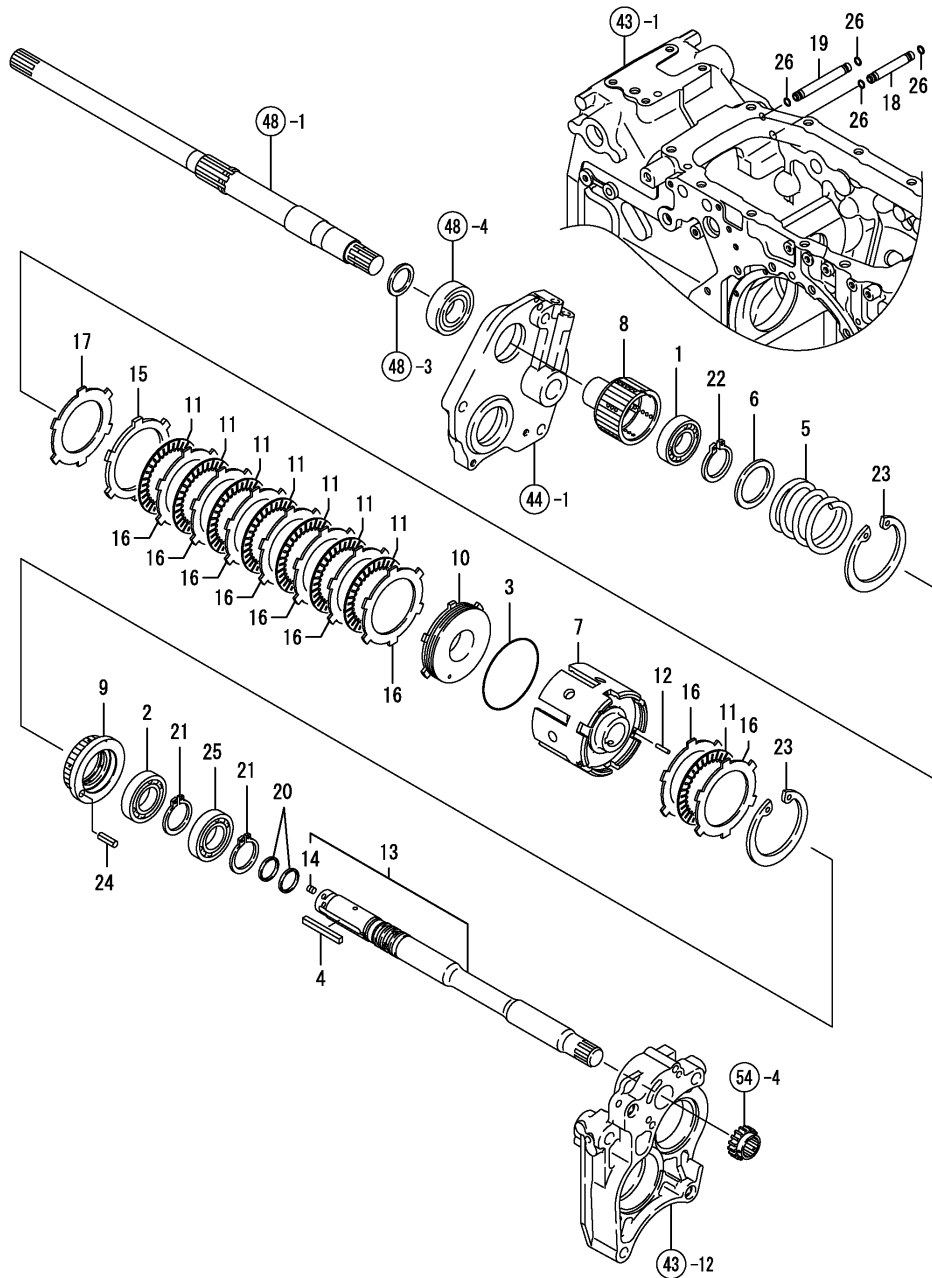
(D)=
(E)=
(F)=

REF.	LEV.	PARTS NO.	DESCRIPTION	Q'TY						I	R
				(A)	(B)	(C)	(D)	(E)	(F)		
1	1	1A7480-25710	SHAFT, REDUCTION	1	1	1					
2	1	1A7480-25740	GEAR, REDUCTION 31	1	1	1					
3	1	1A7480-25750	GEAR, REDUCTION 16	1	1	1					
4	1	1A7450-25790	COLLAR, 35X47X35	1	1	1					
5	1	194197-25810	BALL BEARING	1	1	1					
6	1	22242-000300	CIRCLIP 30	1	1	1					
7	1	24101-063054	BEARING #6305	1	1	1					

Fig.53. PTO. CLUTCH

(A)=EG765-KPQ
 (B)=EG775-KPQ
 (C)=EG782-KPQ

(D)=
 (E)=
 (F)=

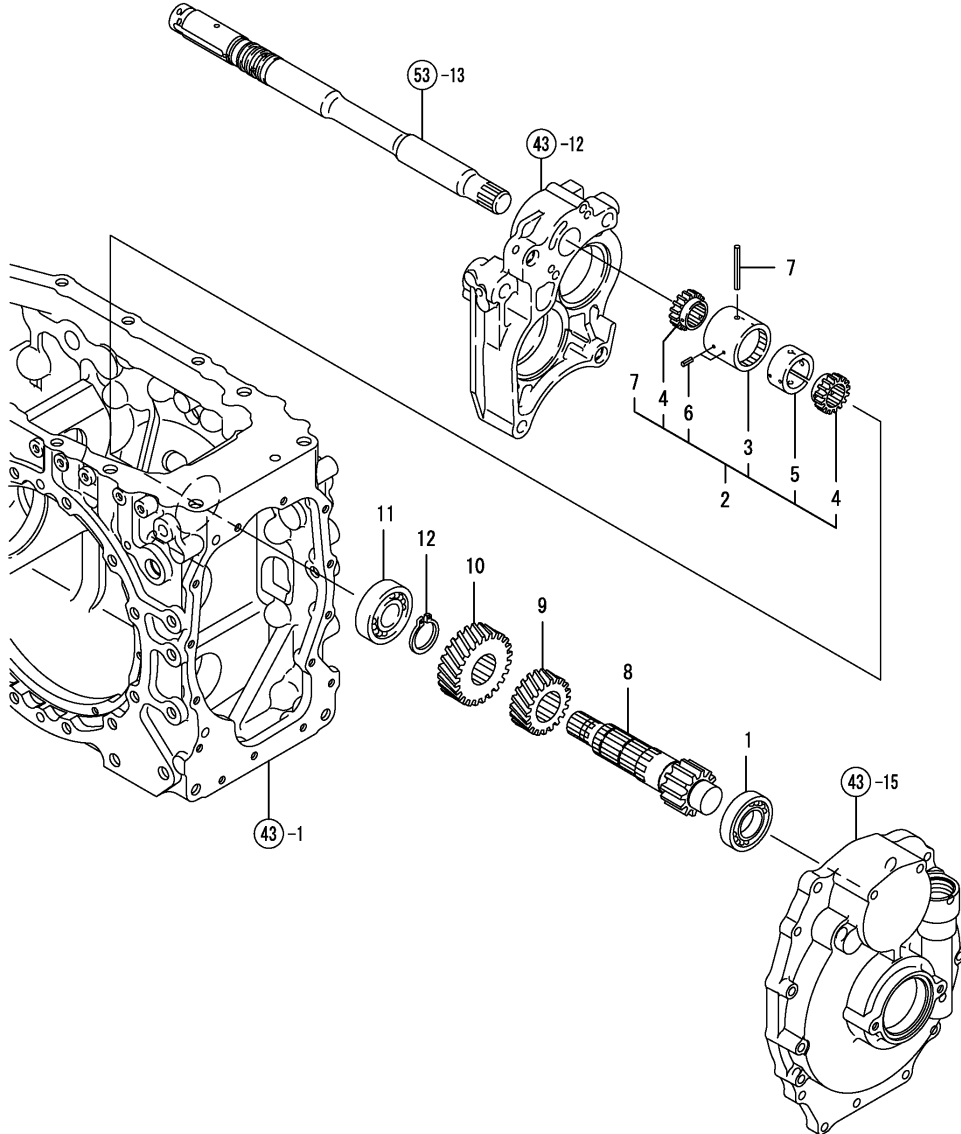


REF.	LEV.	PARTS NO.	DESCRIPTION	QTY						I	R
				(A)	(B)	(C)	(D)	(E)	(F)		
1	1	1C6460-14340	BEARING 60/28	1	1	1					
2	1	194430-25460	BALL BEARING 16006	1	1	1					
3	1	194515-25530	D-RING 95	1	1	1					
4	1	194515-25690	KEY 7X5.8X60	1	1	1					
5	1	194300-25790	SPRING	1	1	1					
6	1	194440-25810	RETAINER, SPRING	1	1	1					
7	1	1A7450-26190	CYLINDER, CLUTCH	1	1	1					
8	1	1A7450-26210	HUB,SPLINE PTO	1	1	1					
9	1	1A7450-26220	SPLINEHUB(PTO/BRAKE)	1	1	1					
10	1	198212-26240	PISTON,CLUTCH PTO	1	1	1					
11	1	1A7450-26240	PLATE,FRICION 95	8	8	8					
12	1	198212-26260	PIN 2.6*19.5	3	3	3					
13	1	1A7350-26360	SHAFT ASSY, CLUTCH	1	1	1					
14	2	1E6191-54330	SCREW 7X8	2	2	2					
15	1	194850-26370	PLATE 3.2, STEEL	1	1	1					
16	1	198212-26380	PLATE 2.3	9	9	9					
17	1	198212-26440	PLATE, STOPPER	1	1	1					
18	1	198212-26580	H.O. PIPE	1	1	1					
19	1	198212-26590	L.O. PIPE	1	1	1					
20	1	198451-28750	RING 262730073,SEAL	2	2	2					
21	1	22242-000300	CIRCLIP 30	2	2	2					
22	1	22242-000400	CIRCLIP 40	1	1	1					
23	1	22252-000950	CIRCLIP 95	2	2	2					
24	1	22351-080025	SPRING PIN 8X25	1	1	1					
25	1	24107-060064	BALL BEARING	1	1	1					
26	1	41854-000080	PACKING, 8.0	4	4	4					

Fig.54. PTO. DRIVE SHAFT

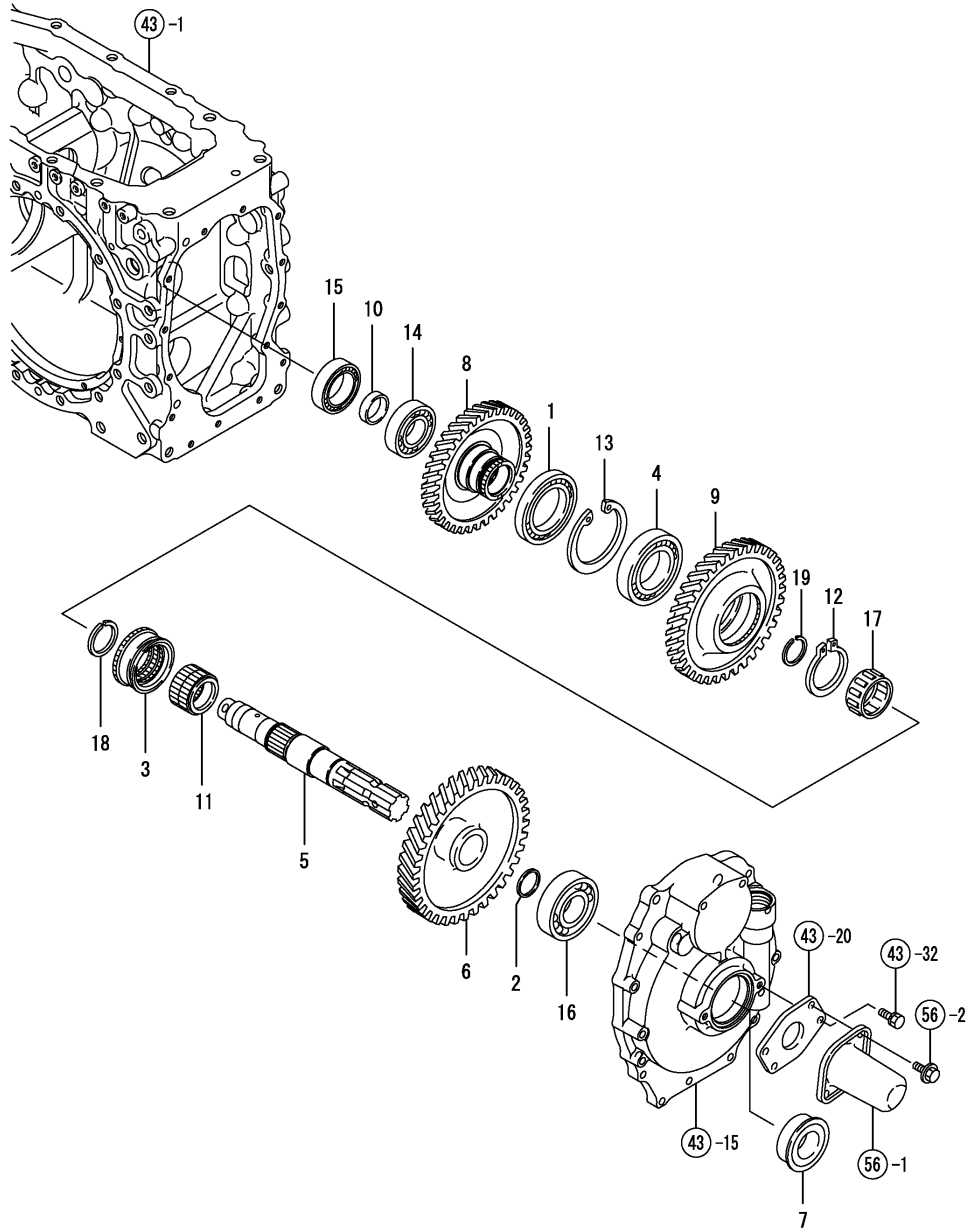
(A)=EG765-KPQ
 (B)=EG775-KPQ
 (C)=EG782-KPQ

(D)=
 (E)=
 (F)=



REF.	LEV.	PARTS NO.	DESCRIPTION	QTY						I	R
				(A)	(B)	(C)	(D)	(E)	(F)		
1	1	174842-13740	BEARING 6306RSH2	1	1	1					
2	1	1A7450-26050	COUPLING, ASSY	1	1	1					
3	2	1A7450-26010	COUPLING, OUTER	1	1	1					
4	2	1A7450-26020	COUPLING, INNER	2	2	2					
5	2	1A7450-26030	DAMPER, RUBBER	1	1	1					
6	2	22351-030008	SPRING PIN 3X 8	4	4	4					
7	2	22351-050050	SPRING PIN 5X50	1	1	1					
8	1	1A7450-26120	SHAFT, PINION PTO	1	1	1					
9	1	1A7450-26130	PINION, PTO 20	1	1	1					
10	1	1A7450-26140	PINION, PTO 27	1	1	1					
11	1	194850-31380	BALL BEARING	1	1	1					
12	1	22242-000320	CIRCLIP 32	1	1	1					

Fig.55. PTO. SHAFT



(A)=EG765-KPQ
(B)=EG775-KPQ
(C)=EG782-KPQ

(D)=
(E)=
(F)=

REF.	LEV.	PARTS NO.	DESCRIPTION	Q'TY						I	R
				(A)	(B)	(C)	(D)	(E)	(F)		
1	1	198133-13240	BEARING 16011	1	1	1					
2	1	194180-25550	WASHER 35X50X3	1	1	1					
3	1	1A7450-26070	SHIFTER, PTO.	1	1	1					
4	1	1A7450-26310	BEARING,TMB210	1	1	1					
5	1	1A7450-26321	SHAFT,PTO	1	1	1					
6	1	1A7450-26340	GEAR 58,PTO	1	1	1					
7	1	194370-26350	SEAL QLF 35 60 19	1	1	1					
8	1	1A7450-26362	GEAR 58,PTO	1	1	1					
9	1	1A7450-26370	GEAR 61,PTO	1	1	1					
10	1	1A7450-26381	COLLAR, 30X38X10	1	1	1					
11	1	1A7450-26431	COLLAR, SPLINE PTO	1	1	1					
12	1	22242-000501	CIRCLIP 50-S	1	1	1					
13	1	22252-000900	CIRCLIP 90	1	1	1					
14	1	24101-062064	BALL BEARING 6206	1	1	1					
15	1	24101-063054	BEARING #6305	1	1	1					
16	1	24101-063074	BEARING	1	1	1					
17	1	24161-303720	NEEDLE 303720	1	1	1					
18	1	24164-000352	CIRCLIP 35	1	1	1					
19	1	24165-000372	CIRCLIP,NEEDLE	1	1	1					

Fig.56. PTO. SHAFT COVER

(A)=EG765-KPQ
 (B)=EG775-KPQ
 (C)=EG782-KPQ

(D)=
 (E)=
 (F)=

REF.	LEV.	PARTS NO.	DESCRIPTION	QTY						I	R
				(A)	(B)	(C)	(D)	(E)	(F)		
1	1	1A7620-26850	COVER M ASSY, SHAFT	1	1	1					
2	1	26106-080122	BOLT M 8X 12 PLATED	2	2	2					

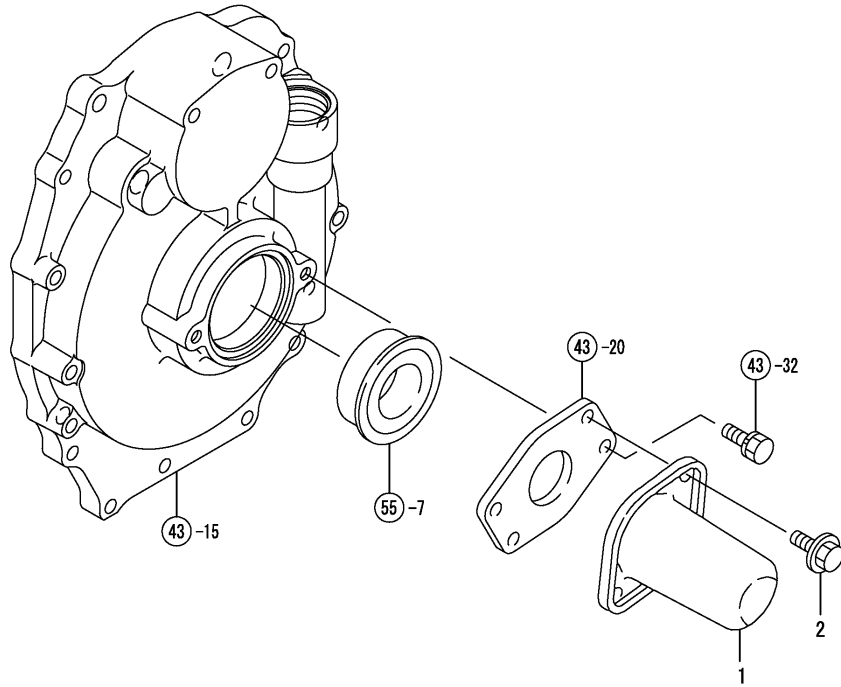


Fig.57. PTO. SHAFT GUARD

0CNP4-G99000 57. PTO. SHAFT GUARD

(A)=EG765-KPQ
 (B)=EG775-KPQ
 (C)=EG782-KPQ

(D)=
 (E)=
 (F)=

REF.	LEV.	PARTS NO.	DESCRIPTION	Q'TY						I	R
				(A)	(B)	(C)	(D)	(E)	(F)		
1	1	1A7480-26900	GUARD M ASSY, SHAFT	1	1	1					
2	1	26106-080162	BOLT M 8X 16 PLATED	4	4	4					

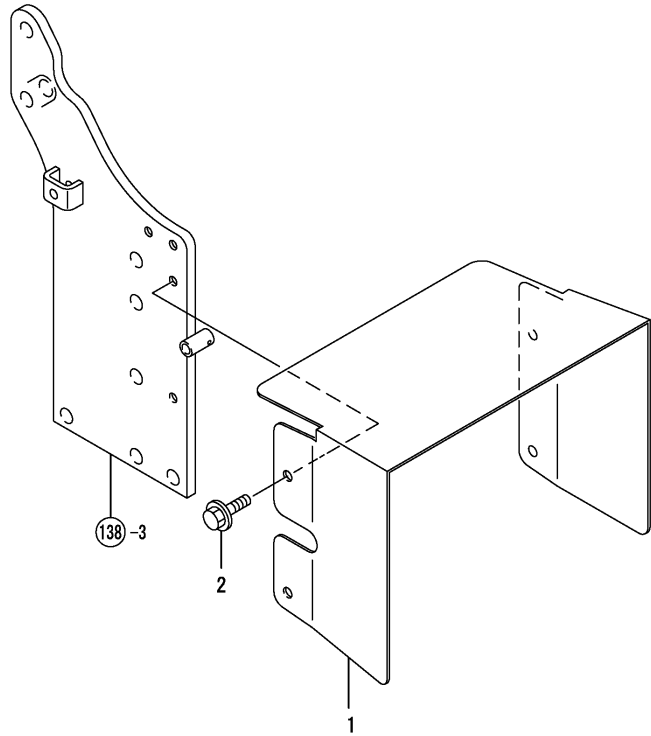
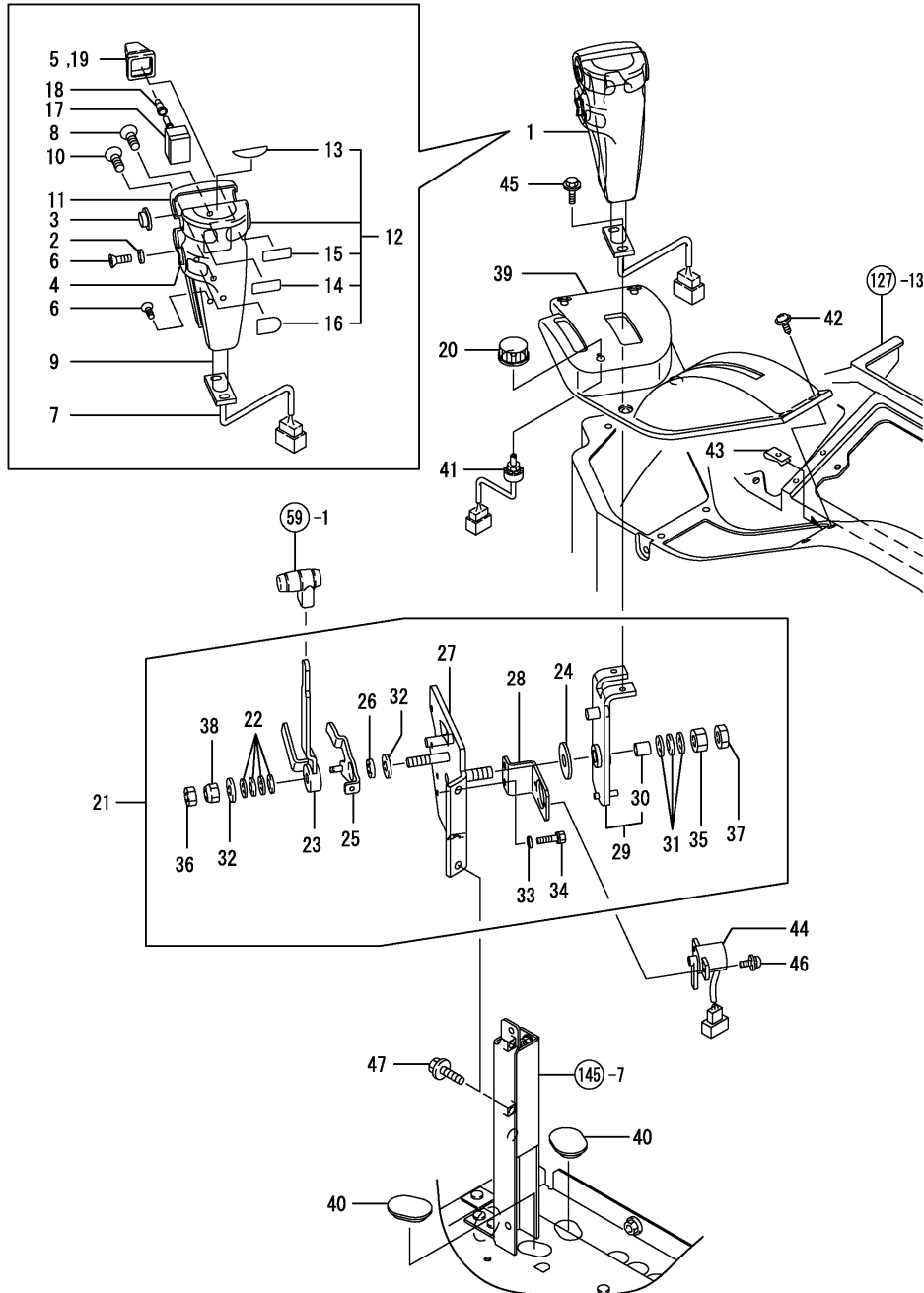


Fig.58. SHIFT LEVER(CABIN FLOOR)

(A)=EG765-KPQ
(B)=EG775-KPQ
(C)=EG782-KPQ

(D)=
(E)=
(F)=

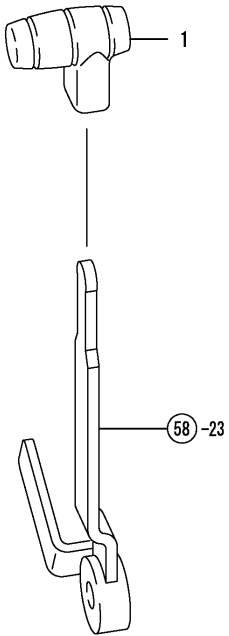


REF.	LEV.	PARTS NO.	DESCRIPTION	QTY						I	R
				(A)	(B)	(C)	(D)	(E)	(F)		
1	1	1A7480-27070	LEVER ASSY, CONTROL	1	1	1					
2	2	1A7480-27090	WASHER	2	2	2					
3	2	1A7480-27120	PUSH,SW	2	2	2					
4	2	1A7480-27130	PADDLE LOCKER SWITCH	1	1	1					
5	2	1A7480-27140	DIP COVER	1	1	1					
6	2	198190-27170	SCREW, 3X12	6	6	6					
7	2	1A7480-27170	HERNESS ASSY	1	1	1					
8	2	198190-27180	SCREW, 5X20	1	1	1					
9	2	1A7480-27180	LEVER ASSY	1	1	1					
10	2	198190-27230	SCREW, 5X12	1	1	1					
11	2	1A7480-27260	SHELL F,HST3	1	1	1					
12	2	1A7480-27350	COVER ASSY,	1	1	1					
13	3	1A7480-27360	LABEL,	1	1	1					
14	3	1A7480-27370	LABEL,	1	1	1					
15	3	1A7480-27380	LABEL,	1	1	1					
16	3	1A7480-27390	LABEL,	1	1	1					
17	2	194950-78250	SWITCH,LIGHTING	1	1	1					
18	2	198451-78570	KNOB (1),SWITCH	1	1	1					
19	2	198451-78640	KNOB (2),SWITCH	1	1	1					
20	1	1A7480-27110	KNOB,	1	1	1					
21	1	1A7480-27301	LEVER UNIT,SHIFT	1	1	1					
22	2	194740-00160	WASHER 10, CONICAL	4	4	4					
23	2	198448-01110	LEVER, ACCEL	1	1	1					
24	2	198165-01130	PLATE, FRICTION	1	1	1					
25	2	198448-01172	LEVER, LINK	1	1	1					
26	2	194150-01270	SPACER 20	1	1	1					
27	2	1A7480-27310	BLACKET CMP,LEVER	1	1	1					
28	2	1A7480-27400	STAY,SENSOR	1	1	1					
29	2	1A7480-27601	LEVER ARM ASSY,	1	1	1					
30	3	24550-012150	BUSH 12X15	1	1	1					
31	2	194151-47760	WASHER 12	3	3	3					
32	2	194145-61570	WASHER, 10	2	2	2					
33	2	22137-060000	WASHER 6, POLISHED	2	2	2					
34	2	26013-060129	BOLT M 6X 12	2	2	2					
35	2	26716-120002	NUT 12	1	1	1					
36	2	26756-100002	LOCK NUT M10 PLATED	1	1	1					
37	2	26756-120002	LOCK NUT 12	1	1	1					
38	2	26986-100002	LOCK NUT 10	1	1	1					
39	1	1A7480-27470	COVER,MAIN SHIFT	1	1	1					
40	1	1A7450-27990	GROMMET 38X25,	2	2	2					
41	1	1A7480-52340	VOLUME 1.14K	1	1	1					
42	1	194940-61790	SCREW 5X16	6	6	6					
43	1	198220-63850	NUT 5	6	6	6					
44	1	198290-78550	SENSOR,POSITION	1	1	1					
45	1	198196-83170	BOLT, 6X16	2	2	2					
46	1	26023-040162	SCREW M 4X 16	2	2	2					
47	1	26106-080162	BOLT M 8X 16 PLATED	2	2	2					

Fig.59. SHIFT LEVER(MAIN

(A)=EG765-KPQ (D)=
(B)=EG775-KPQ (E)=
(C)=EG782-KPQ (F)=

REF.	LEV.	PARTS NO.	DESCRIPTION	Q'TY						I	R
				(A)	(B)	(C)	(D)	(E)	(F)		
1	1	198273-01230	KNOB;ACCEL LEVER	1	1	1					

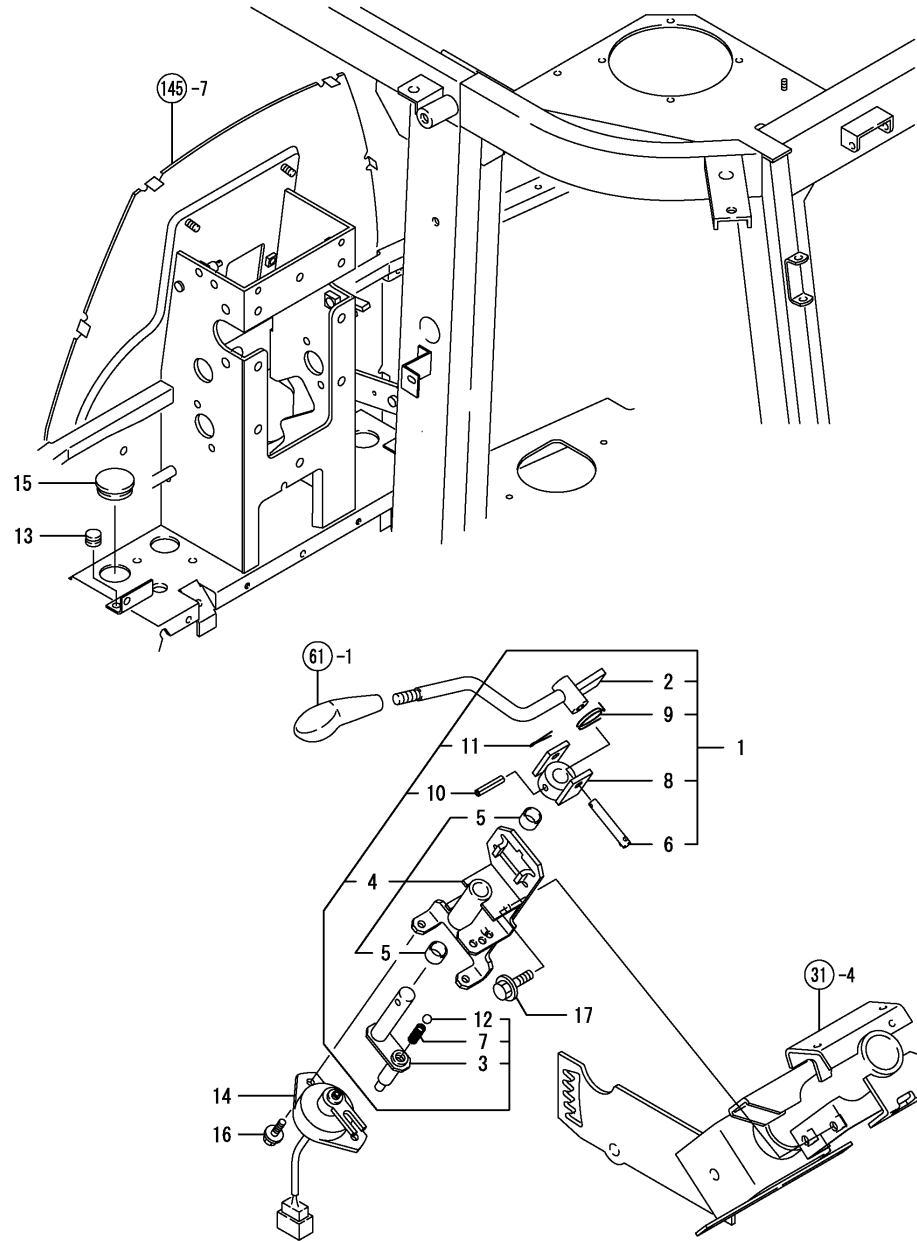


N:Old $\xrightarrow{\text{Yes}} \xrightarrow{\text{No}}$ New, Q:Old $\xleftarrow{\text{No}} \xleftarrow{\text{Yes}}$ New, R:Old $\xleftarrow{\text{Yes}} \xleftarrow{\text{No}}$ New, S:Old $\xleftarrow{\text{No}} \xleftarrow{\text{Yes}}$ New, W:Add, Z:Discontinued, F:Interchangeable by set, K:Q'ty Change
(C)Copy Rights YANMAR CO.,LTD.

Fig.60. REVERSE LEVER(CABIN FLOOR)

(A)=EG765-KPQ
 (B)=EG775-KPQ
 (C)=EG782-KPQ

(D)=
 (E)=
 (F)=

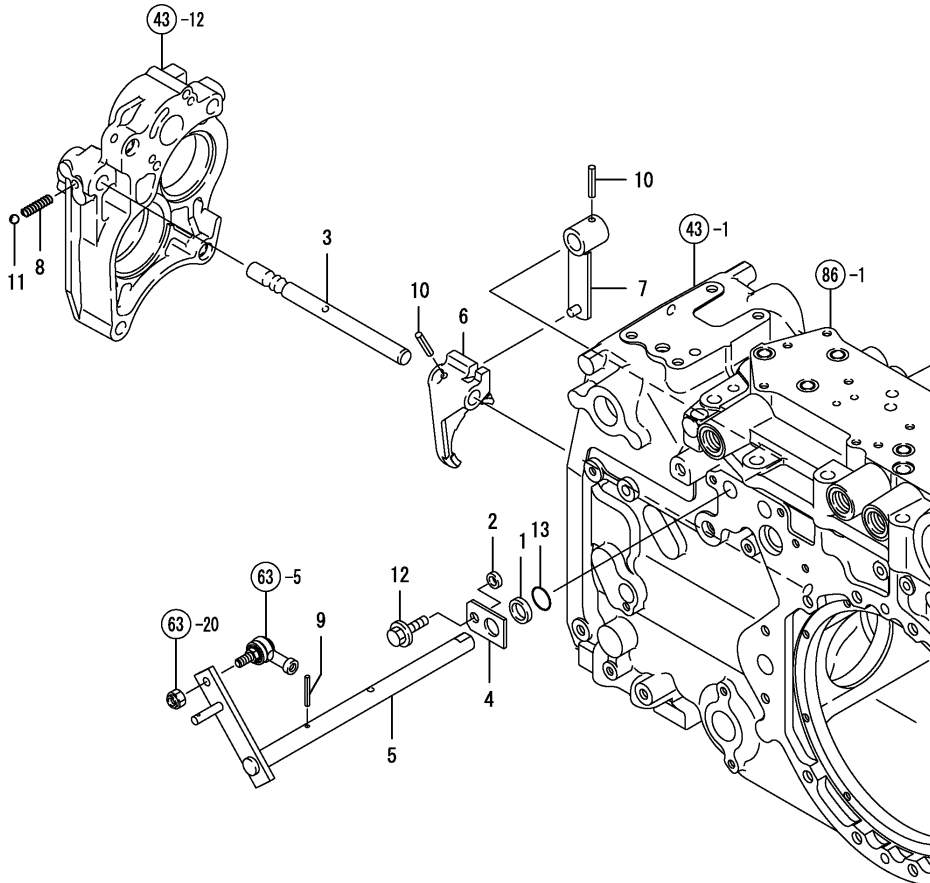


REF.	LEV.	PARTS NO.	DESCRIPTION	QTY						I	R
				(A)	(B)	(C)	(D)	(E)	(F)		
1	1	1A7480-18100	ASSY,REVERSER LEVER	1	1	1					
2	2	198448-18110	LEVER, REVERSER	1	1	1					
3	2	1A7480-18210	SHAFT,REVERSER	1	1	1					
4	2	1A7480-18250	BRACKET,REVERSER SHA	1	1	1					
5	3	24550-015120	BUSH 15X12	2	2	2					
6	2	198075-18311	PIN 8X52	1	1	1					
7	2	194310-27180	SPRING 22.2	1	1	1					
8	2	198133-27781	HOLDER,REVERSER	1	1	1					
9	2	198133-27820	SPRING,REVERSR.RETRN	1	1	1					
10	2	22351-060032	SPRING PIN 6X32	1	1	1					
11	2	22417-200300	COTTER PIN 2.0X30	1	1	1					
12	2	24190-110001	BALL 11/32, STEEL	1	1	1					
13	1	1C6053-26020	CAP, RUBBER	1	1	1					
14	1	1A7480-52180	SWITCH, REVERSER	1	1	1					
15	1	197810-83230	GROMMET 30	1	1	1					
16	1	26106-060162	BOLT M 6X 16 PLATED	2	2	2					
17	1	26106-080202	BOLT M 8X 20 PLATED	2	2	2					

Fig.62. RANGE SHIFT

(A)=EG765-KPQ
 (B)=EG775-KPQ
 (C)=EG782-KPQ

(D)=
 (E)=
 (F)=

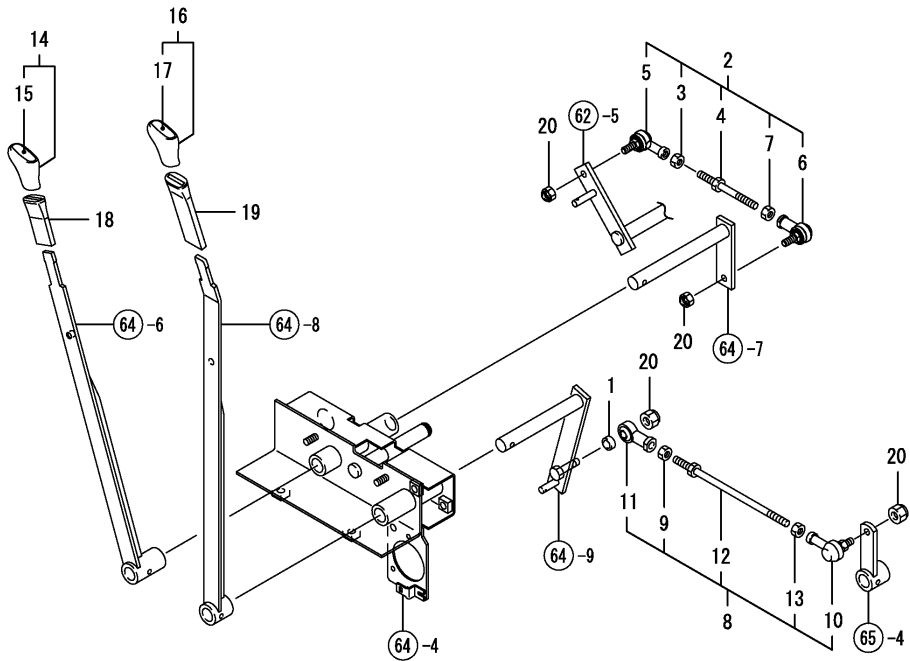


REF.	LEV.	PARTS NO.	DESCRIPTION	QTY						I	R
				(A)	(B)	(C)	(D)	(E)	(F)		
1	1	198119-27150	COLLOR	1	1	1					
2	1	1A7450-27290	COLLAR,RANGE SHIFT	1	1	1					
3	1	1A7480-27410	SHAFT, FORK	1	1	1					
4	1	1A7450-27490	PLATE, KEEP RANGE	1	1	1					
5	1	1A7480-27511	SHAFT,RANGE SHIFT	1	1	1					
6	1	1A7480-27520	FORK, RANGE SHIFT	1	1	1					
7	1	1A7450-27531	ARM, RANNGE SHIFT	1	1	1					
8	1	194680-27540	SPRING, FORK LOCK	1	1	1					
9	1	22351-040032	SPRING PIN 4X32	1	1	1					
10	1	22351-060032	SPRING PIN 6X32	2	2	2					
11	1	24190-080001	BALL 1/4, STEEL	1	1	1					
12	1	26106-080162	BOLT M 8X 16 PLATED	1	1	1					
13	1	41851-000160	PACKING, 16.0	1	1	1					

Fig.63. RANGE SHIFT LEVER(MAIN)

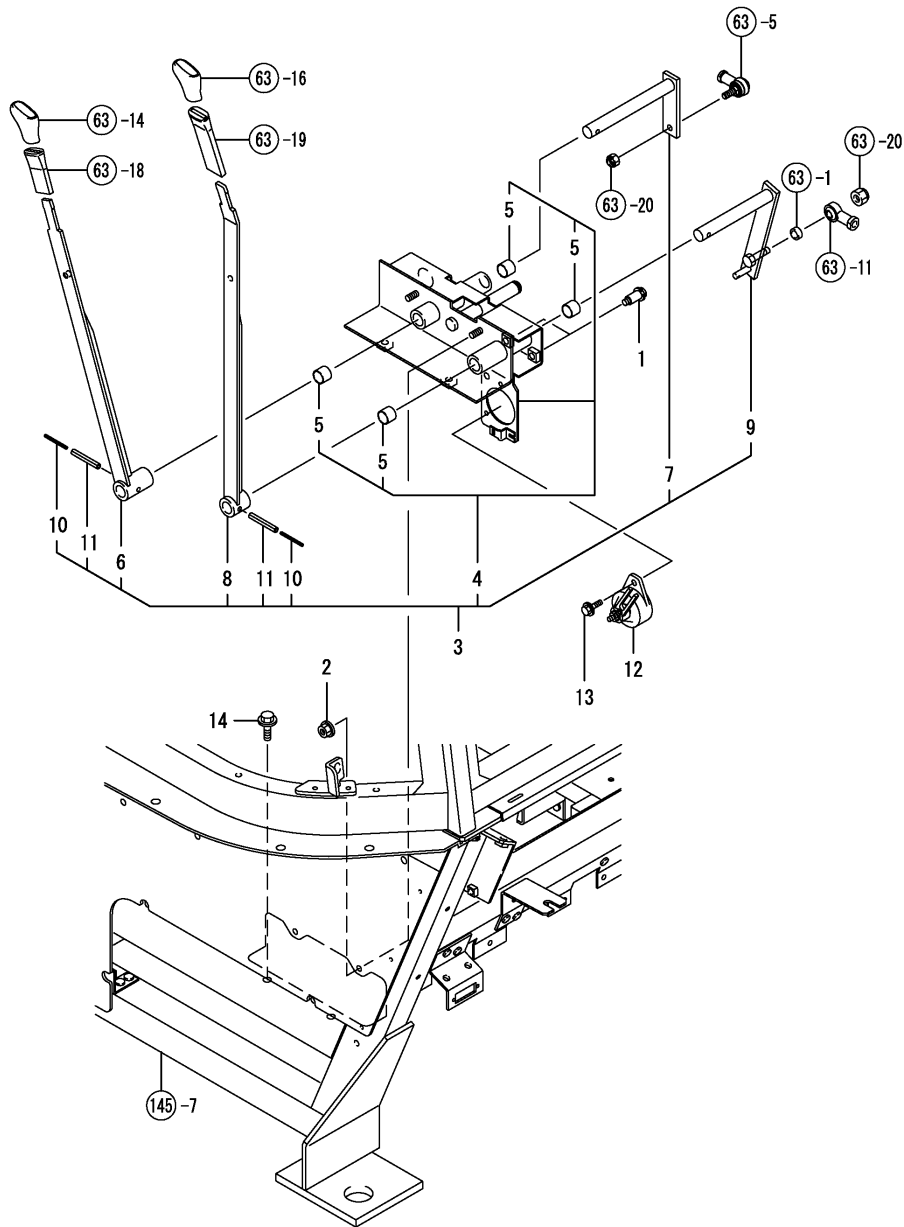
(A)=EG765-KPQ
(B)=EG775-KPQ
(C)=EG782-KPQ

(D)=
(E)=
(F)=



REF.	LEV.	PARTS NO.	DESCRIPTION	Q'TY						I	R
				(A)	(B)	(C)	(D)	(E)	(F)		
1	1	174840-17190	COLLAR, 8X3	1	1	1					
2	1	1A7450-27180	RANGE-ROD COMP,	1	1	1					
3	2	194990-20170	NUT W/WASHER 8	1	1	1					
4	2	1A7450-27250	ROD, RANGE SIFT	1	1	1					
5	2	194820-27370	END (L), ROD	1	1	1					
6	2	172112-41980	BEARING, ROD-END	1	1	1					
7	2	26716-080002	NUT M 8	1	1	1					
8	1	1A7450-27731	PTO-ROD COMP,	1	1	1					
9	2	194990-20170	NUT W/WASHER 8	1	1	1					
10	2	198129-27290	ROD-END; 8	1	1	1					
11	2	194820-27370	END (L), ROD	1	1	1					
12	2	1A7450-27720	ROD, PTO	1	1	1					
13	2	26716-080002	NUT M 8	1	1	1					
14	1	1A7620-27820	KNOB, RANGE SHIFT	1	1	1					
15	2	1A7620-27840	LABEL,	1	1	1					
16	1	1A7450-27850	KNOB, PTO SHIFT	1	1	1					
17	2	1A7450-27910	LABEL,	1	1	1					
18	1	198273-27860	RUBBER;SHAFT	1	1	1					
19	1	198273-27890	RUBBER;SHAFT	1	1	1					
20	1	26346-080002	U-NUT M 8 PLATED	4	4	4					

Fig.64. RANGE SHIFT LEVER(CABIN FLOOR



OCNP4-G99000 64. RANGE SHIFT LEVER(CABIN FLOOR

(A)=EG765-KPQ
(B)=EG775-KPQ
(C)=EG782-KPQ

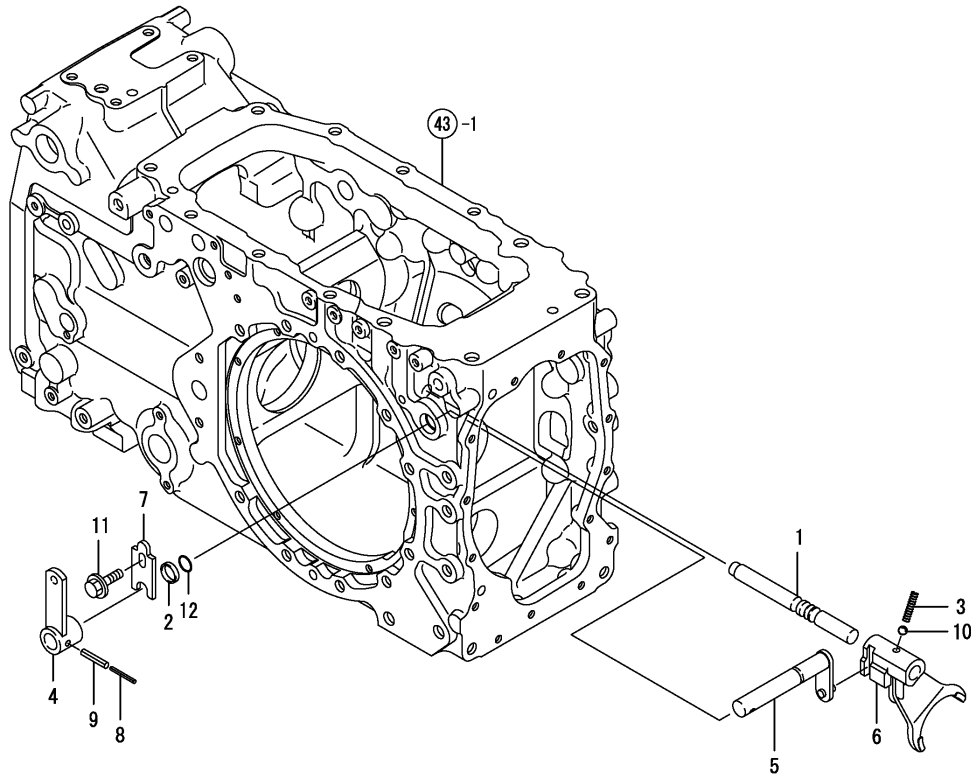
(D)=
(E)=
(F)=

REF.	LEV.	PARTS NO.	DESCRIPTION	Q'TY						I	R
				(A)	(B)	(C)	(D)	(E)	(F)		
1	1	194555-04280	BOLT M 8X 26	2	2	2					
2	1	194990-22140	NUT W/WASHER 8	2	2	2					
3	1	1A7480-27012	SUB-LEVER UNIT,	1	1	1					
4	2	1A7480-27021	BRACKET ASSY,	1	1	1					
5	3	24550-017150	BUSH 17X15	4	4	4					
6	2	1A7480-27150	LEVER, RANGE SHIFT	1	1	1					
7	2	1A7450-27550	ARM,RANGE SHIFT	1	1	1					
8	2	1A7450-27613	LEVER, PTO	1	1	1					
9	2	1A7450-27652	ARM, PTO SHIFT	1	1	1					
10	2	22351-035040	SPRING PIN 3.5X40	2	2	2					
11	2	22351-060040	SPRING PIN 6X40	2	2	2					
12	1	198448-52250	SWITCH,P.T.O.LEVER	1	1	1					
13	1	26106-060162	BOLT M 6X 16 PLATED	2	2	2					
14	1	26106-080162	BOLT M 8X 16 PLATED	2	2	2					

Fig.65. PTO. SHIFT

(A)=EG765-KPQ
 (B)=EG775-KPQ
 (C)=EG782-KPQ

(D)=
 (E)=
 (F)=



REF.	LEV.	PARTS NO.	DESCRIPTION	QTY						I	R
				(A)	(B)	(C)	(D)	(E)	(F)		
1	1	1A7450-26090	SHAFT,FORK PTO	1	1	1					
2	1	198119-27150	COLLOR	1	1	1					
3	1	194680-27540	SPRING, FORK LOCK	1	1	1					
4	1	1A7450-27790	ARM, PTO	1	1	1					
5	1	1A7450-27881	ARM, PTO. SHIFT	1	1	1					
6	1	1A7450-27950	FORK, PTO. SHIFT	1	1	1					
7	1	198212-27990	PLATE,KEEP	1	1	1					
8	1	22351-035032	SPRING PIN 3.5X32	1	1	1					
9	1	22351-060032	SPRING PIN 6X32	1	1	1					
10	1	24190-080001	BALL 1/4, STEEL	1	1	1					
11	1	26106-080162	BOLT M 8X 16 PLATED	1	1	1					
12	1	41851-000160	PACKING, 16.0	1	1	1					

Fig.66. GROUND PTO. LEVER

0CNP4-G99000 66. GROUND PTO. LEVER

(A)=EG765-KPQ
(B)=EG775-KPQ
(C)=EG782-KPQ

(D)=
(E)=
(F)=

REF.	LEV.	PARTS NO.	DESCRIPTION	Q'TY						I	R
				(A)	(B)	(C)	(D)	(E)	(F)		
1	1	1A7450-27990	GROMMET 38X25,	1	1	1					

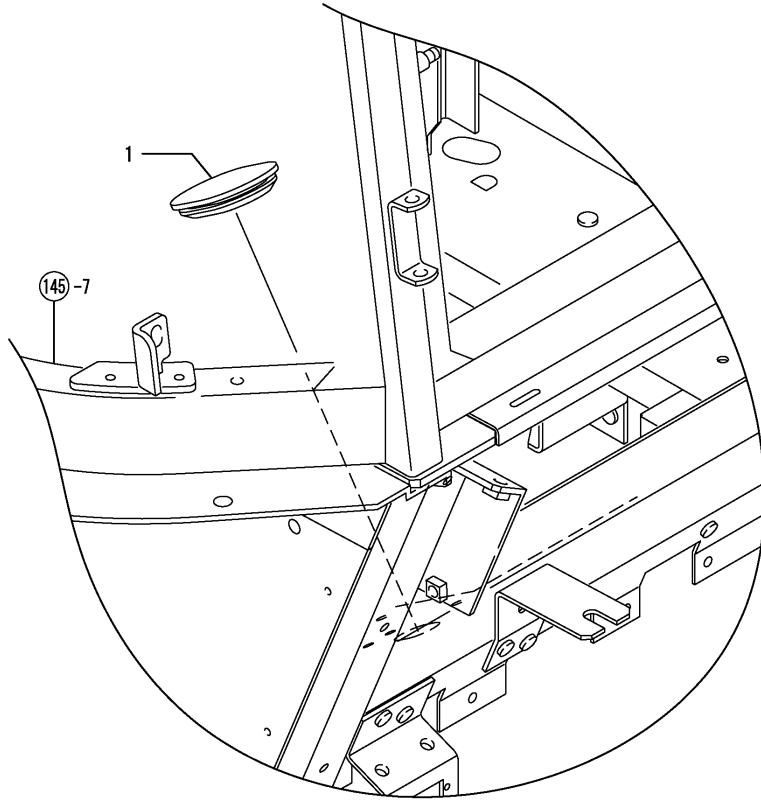
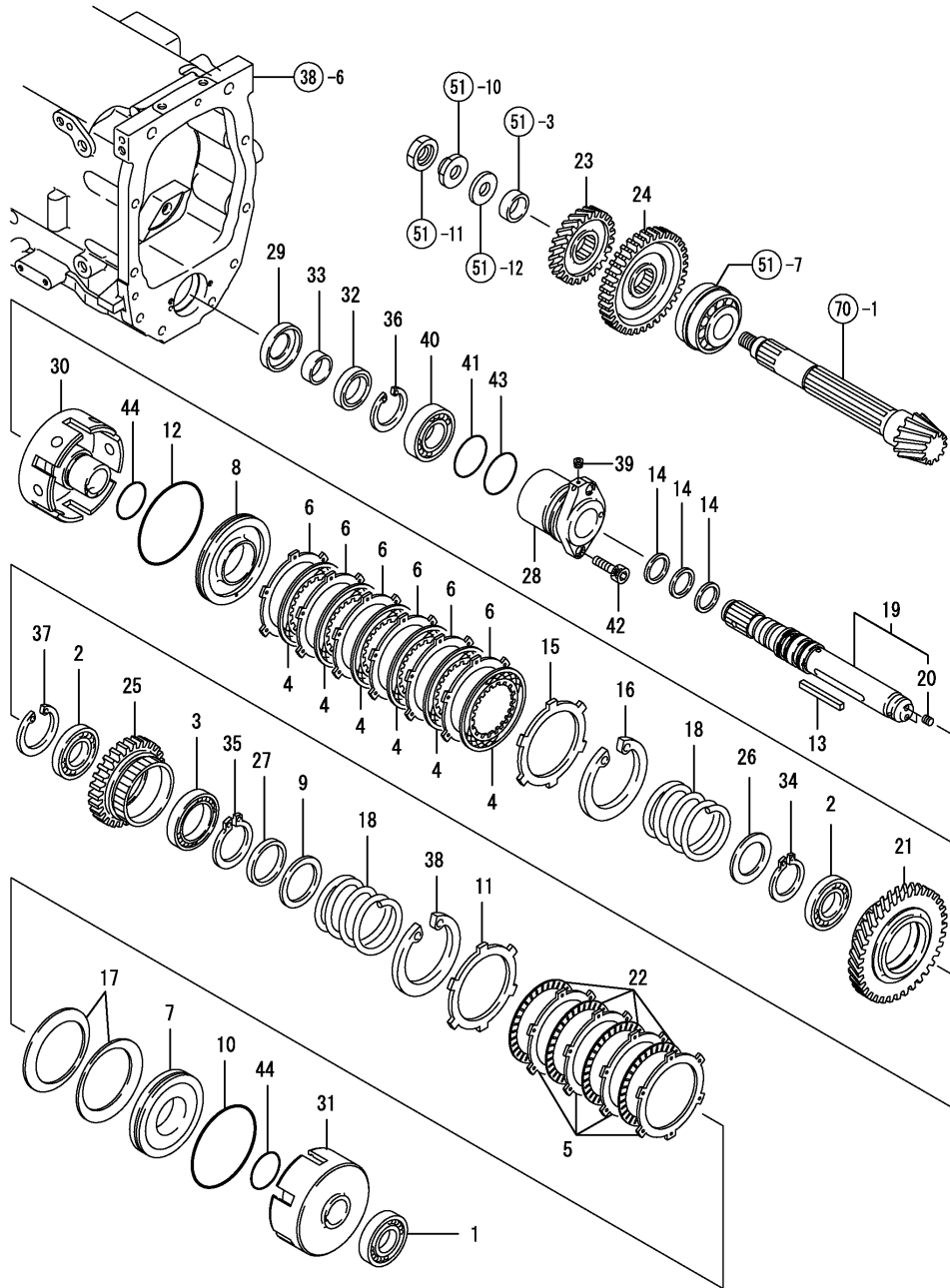


Fig.67. FRONT DRIVE



(A)=EG765-KPQ
(B)=EG775-KPQ
(C)=EG782-KPQ

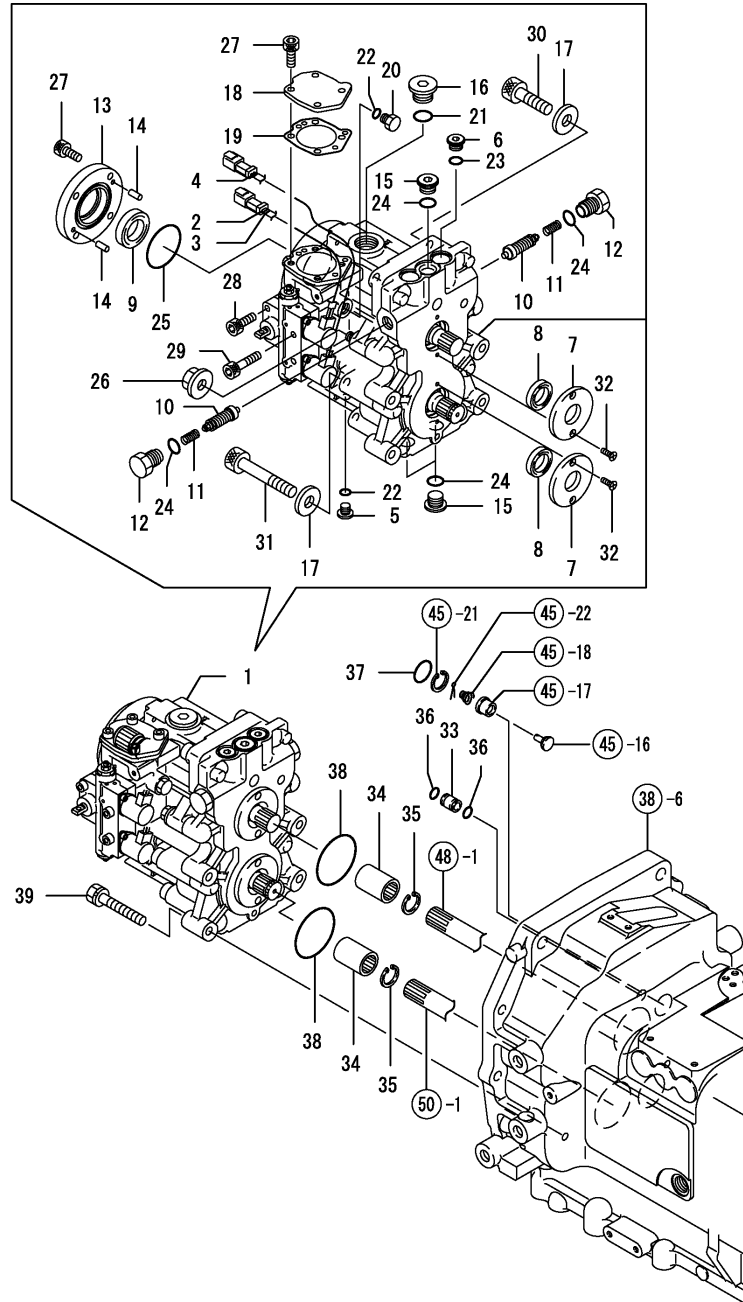
(D)=
(E)=
(F)=

REF.	LEV.	PARTS NO.	DESCRIPTION	QTY						I	R
				(A)	(B)	(C)	(D)	(E)	(F)		
1	1	1C6460-14340	BEARING 60/28	1	1	1					
2	1	194951-14430	BEARING 6908	2	2	2					
3	1	194951-14440	BEARING 6909	1	1	1					
4	1	198119-25510	PLATE 105X2.0,FRICT.	6	6	6					
5	1	198072-25520	PLATE, STEEL 100X1.2	4	4	4					
6	1	198119-25520	STEEL 105*1.2	6	6	6					
7	1	194555-25550	PISTON, CLUTCH	1	1	1					
8	1	198487-25550	PISTON, CLUTCH	1	1	1					
9	1	194555-25560	SPACER 46X61X2	1	1	1					
10	1	194555-25570	D-RING 100	1	1	1					
11	1	198072-25570	PLATE, STEEL 100X3.5	1	1	1					
12	1	198091-25570	D-RING 105	1	1	1					
13	1	198071-25590	KEY 7X5.8X68	1	1	1					
14	1	198071-25610	SEAL RING	3	3	3					
15	1	198119-25620	PLATE, STEEL 105X3.5	1	1	1					
16	1	198091-25640	CIRCLIP 105H	1	1	1					
17	1	194555-25760	SPRING	2	2	2					
18	1	194555-25790	SPRING	2	2	2					
19	1	1A7450-28100	SHAFT ASSY, DRIVE	1	1	1					
20	2	1E6191-54330	SCREW 7X8	2	2	2					
21	1	1A7450-28140	GEAR54,4WD CLUTCH	1	1	1					
22	1	1A7450-28190	PLATE,FRICITION 100	4	4	4					
23	1	198448-28220	PINION, DRIVE	1	1	1					
24	1	198535-28241	PINION, DRIVE	1	1	1					
25	1	1A7450-28250	GEAR33,HG CLUTCH	1	1	1					
26	1	198448-28330	WASHER, 40X60X2	1	1	1					
27	1	198448-28340	COLLAR, 45X55X5	1	1	1					
28	1	1A7450-28360	HOUSING, FRONT SEAL	1	1	1					
29	1	198448-28370	COVER, OIL SEAL	1	1	1					
30	1	1A7450-28710	CYLINDER, CLUTCH D	1	1	1					
31	1	1A7450-28720	CYLINDER, CLUTCH H	1	1	1					
32	1	194420-39360	OIL SEAL	1	1	1					
33	1	194420-39370	SLEEVE	1	1	1					
34	1	22242-000400	CIRCLIP 40	1	1	1					
35	1	22242-000450	CIRCLIP 45	1	1	1					
36	1	22252-000550	CIRCLIP 55	1	1	1					
37	1	22252-000620	CIRCLIP 62(H)	1	1	1					
38	1	22252-001000	CIRCLIP 100(H)	1	1	1					
39	1	23871-005000	PLUG PT 1/16	1	1	1					
40	1	24101-060064	BALL BEARING	1	1	1					
41	1	24357-310550	PACKING, 31055	1	1	1					
42	1	26450-080252	BOLT M 8X 25	2	2	2					
43	1	41854-000500	PACKING, 50.0	1	1	1					
44	1	41856-020400	PACKING, 2040	2	2	2					

Fig.68. HST

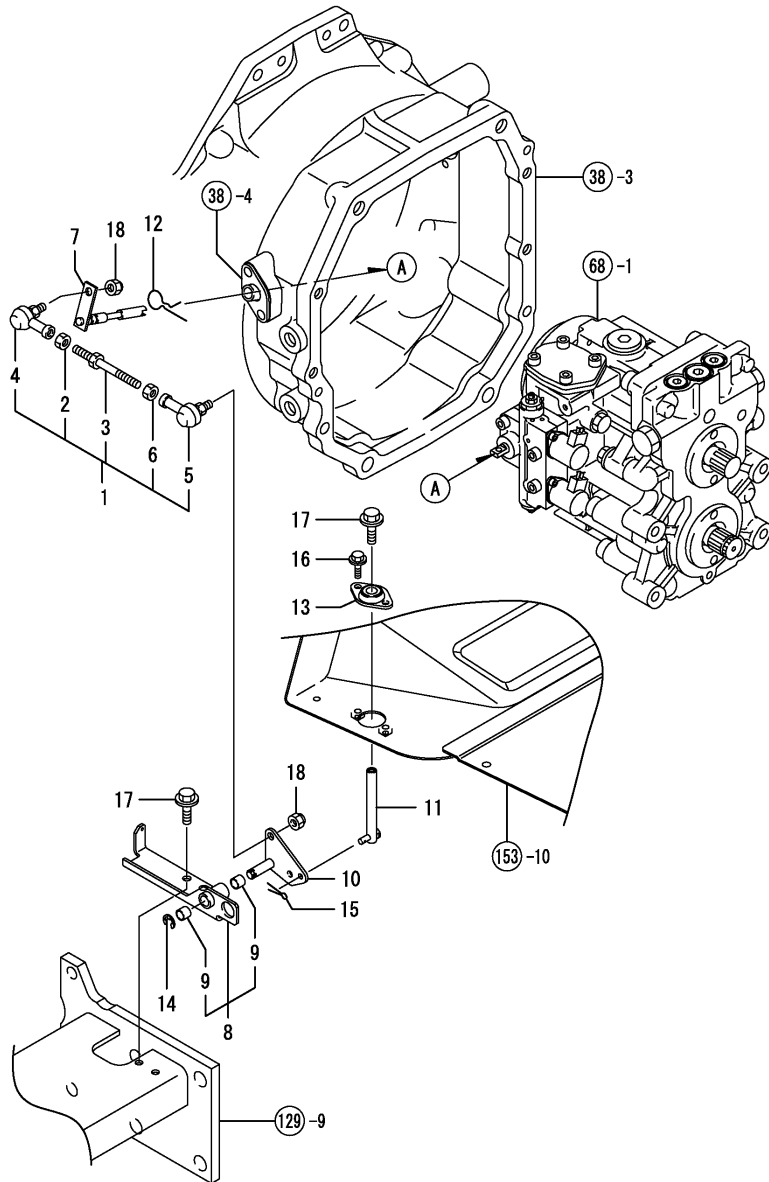
(A)=EG765-KPQ
(B)=EG775-KPQ
(C)=EG782-KPQ

(D)=
(E)=
(F)=



REF.	LEV.	PARTS NO.	DESCRIPTION	QTY						I	R
				(A)	(B)	(C)	(D)	(E)	(F)		
1	1	1A7610-29101	HST42 ASSY	1	1	1					
2	2	178076-05550	BINDER,REFERENCE	1	1	1					
3	2	178076-05560	BINDER,REFERENCE	1	1	1					
4	2	178076-05570	BINDER,REFERENCE	1	1	1					
5	2	178076-12400	PLUG, G1/4	1	1	1					
6	2	1A6750-29850	PLUG	2	2	2					
7	2	158830-85090	COVER, SEAL	2	2	2					
8	2	158836-85420	OIL SEAL	2	2	2					
9	2	158835-85440	OIL SEAL	1	1	1					
10	2	158856-85501	VALVE ASSY, RELIFE	2	2	2					
11	2	168HP1-85570	SPRING(CHECK VALVE	2	2	2					
12	2	158856-85580	PLUG PE1/2A	2	2	2					
13	2	168HQ0-85820	COVER(OIL SEAL B	1	1	1					
14	2	158802-85880	PIN,PARALLEL(6X12	6	6	6					
15	2	158830-85960	PLUG	3	3	3					
16	2	158835-85980	PLUG	1	1	1					
17	2	158835-85990	WASHER	7	7	7					
18	2	158833-87050	COVER, PISTON	1	1	1					
19	2	158830-87061	PACKING	1	1	1					
20	2	158830-87450	BOLT	1	1	1					
21	2	24311-000224	O-RING 1A P-22.4	1	1	1					
22	2	24315-000110	O-RING 1B P-11.0	2	2	2					
23	2	24315-000140	O-RING 1B P-14.0	2	2	2					
24	2	24315-000180	O-RING 1B P-18.0	5	5	5					
25	2	24321-000600	O-RING 1A G-60.0	1	1	1					
26	2	26366-120002	U-NUT M12	1	1	1					
27	2	26450-080202	BOLT M 8X 20	8	8	8					
28	2	26450-080252	BOLT M 8X 25	2	2	2					
29	2	26450-080352	BOLT M 8X 35	2	2	2					
30	2	26450-120452	BOLT M12X 45	2	2	2					
31	2	26450-120752	BOLT M12X 75	5	5	5					
32	2	26577-050142	SCREW M 5X 14	4	4	4					
33	1	1A7480-29110	PIPE 16X22	1	1	1					
34	1	1A7480-29120	COUPLING 25X47	2	2	2					
35	1	22252-000220	CIRCLIP 22	2	2	2					
36	1	24311-000120	O-RING 1A P 12.0	2	2	2					
37	1	24321-000300	O-RING G30	1	1	1					
38	1	24321-000700	O-RING 1A G70.0,NBR	2	2	2					
39	1	26013-100602	BOLT M10X 60	4	4	4					

Fig.69. HST CONTROL



(A)=EG765-KPQ
(B)=EG775-KPQ
(C)=EG782-KPQ

(D)=
(E)=
(F)=

REF.	LEV.	PARTS NO.	DESCRIPTION	QTY						I	R
				(A)	(B)	(C)	(D)	(E)	(F)		
1	1	1A7450-27180	RANGE-ROD COMP,	1	1	1					
2	2	194990-20170	NUT W/WASHER 8	1	1	1					
3	2	1A7450-27250	ROD, RANGE SIFT	1	1	1					
4	2	194820-27370	END (L), ROD	1	1	1					
5	2	172112-41980	BEARING, ROD-END	1	1	1					
6	2	26716-080002	NUT M 8	1	1	1					
7	1	1A7480-29130	ARM,HST	1	1	1					
8	1	1A7480-29140	STAY CMP,CRANK	1	1	1					
9	2	24550-010100	BUSH 10X10,DRY	2	2	2					
10	1	1A7480-29160	ARM,CRANK	1	1	1					
11	1	1A7480-29170	ROD,HST	1	1	1					
12	1	1A7480-29181	PIN,LOCK	1	1	1					
13	1	198448-46610	PILLOW UNIT, 12	1	1	1					
14	1	22272-000080	CIRCLIP E- 8	1	1	1					
15	1	22417-160180	COTTER PIN 1.6X18	1	1	1					
16	1	26106-060162	BOLT M 6X 16 PLATED	2	2	2					
17	1	26106-080122	BOLT M 8X 12 PLATED	3	3	3					
18	1	26346-080002	U-NUT M 8 PLATED	2	2	2					

Fig.70. DIFF. RING CEAR

0CNP4-G99000 70. DIFF. RING CEAR

(A)=EG765-KPQ
 (B)=EG775-KPQ
 (C)=EG782-KPQ

(D)=
 (E)=
 (F)=

REF.	LEV.	PARTS NO.	DESCRIPTION	QTY						I	R
				(A)	(B)	(C)	(D)	(E)	(F)		
1	1	1A7450-31401	GEAR ASSY., RING	1	1	1					
1A	2	1E8450-55230	BEARING, NJ308E	1	1	1					W
		(A=*2009.06.)	(B=*2009.06.)	(C=*2009.06.)							

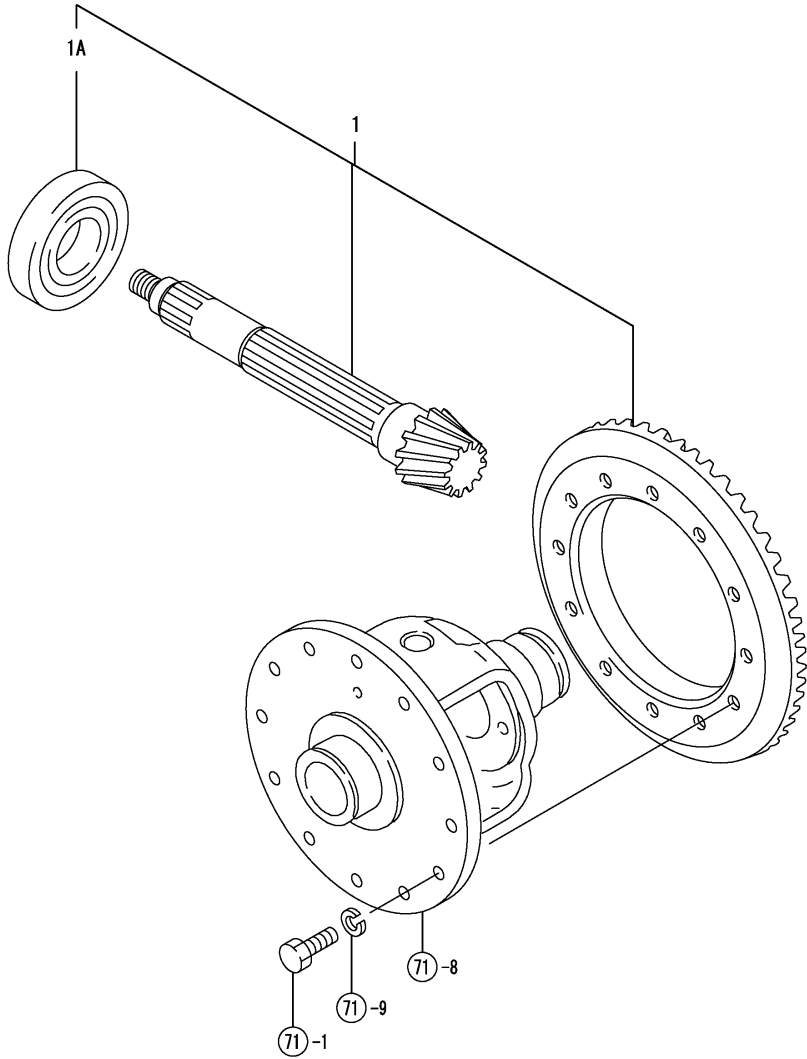
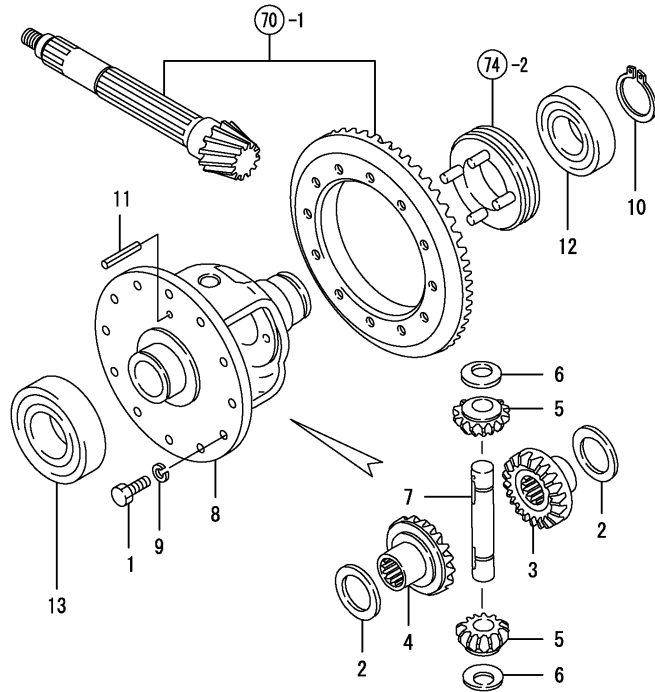


Fig.71. DIFF. GEAR

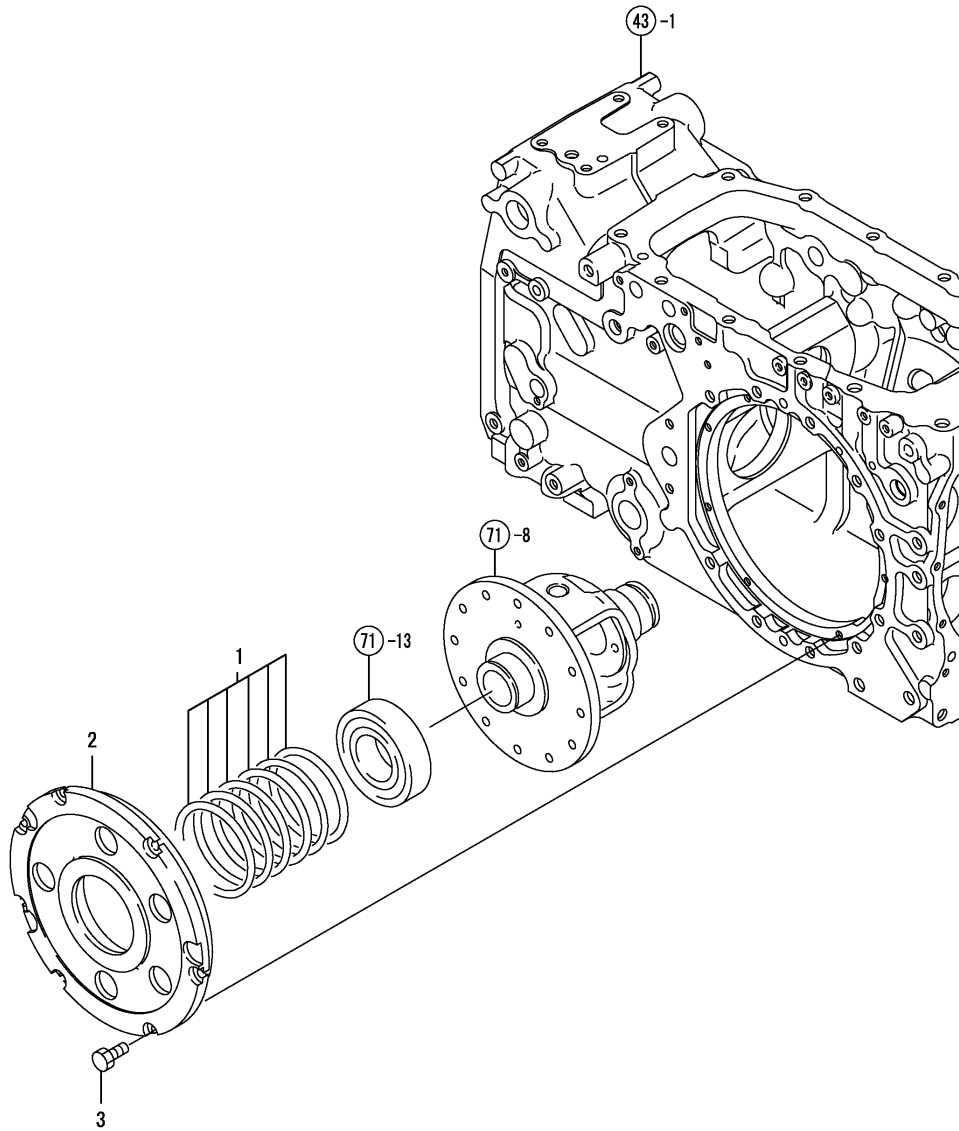
(A)=EG765-KPQ
 (B)=EG775-KPQ
 (C)=EG782-KPQ

(D)=
 (E)=
 (F)=



REF.	LEV.	PARTS NO.	DESCRIPTION	QTY						I	R
				(A)	(B)	(C)	(D)	(E)	(F)		
1	1	194066-13130	BOLT M10X 25	12	12	12					
2	1	198320-31530	WASHER, DIFFERENTIAL	2	2	2					
3	1	198320-31550	GEAR, DIFFERENTIAL	1	1	1					
4	1	194320-31560	GEAR, DIFFERENTIAL	1	1	1					
5	1	198320-31570	PINION, DIFFERENTIAL	2	2	2					
6	1	198320-31630	WASHER, DIFFERENTIAL	2	2	2					
7	1	198320-31820	SHAFT, DIFFERENTIAL	1	1	1					
8	1	198320-32111	HOUSING, DIFF.	1	1	1					
9	1	22217-100000	SPRING WASHER 10	12	12	12					
10	1	22242-000500	CIRCLIP 50	1	1	1					
11	1	22351-060050	SPRING PIN 6X50	1	1	1					
12	1	24101-060104	BALL BEARING	1	1	1					
13	1	24101-062114	BALL BEARING	1	1	1					

Fig.72. DIFF. CARRIER



0CNP4-G99000 72. DIFF. CARRIER

(A)=EG765-KPQ
(B)=EG775-KPQ
(C)=EG782-KPQ

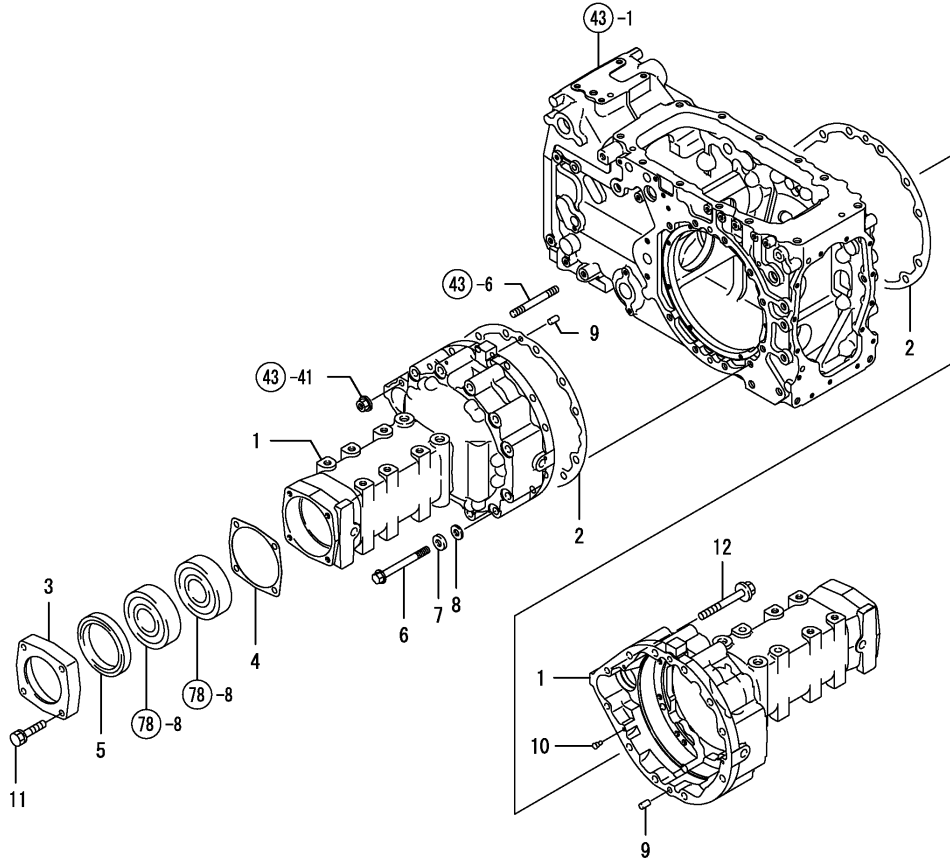
(D)=
(E)=
(F)=

REF.	LEV.	PARTS NO.	DESCRIPTION	Q'TY						I	R
				(A)	(B)	(C)	(D)	(E)	(F)		
1	1	794251-13910	SHIM SET	1	1	1					
2	1	1A7450-32311	CARRIER, DIFF.	1	1	1					
2-1	1	1A7450-32312	CARRIER, DIFF.	1	1	1					R
		(A=FXXXXXX) (B=FXXXXXX) (C=FXXXXXX)									
3	1	26116-080202	BOLT M 8X 20 PLATED	7	7	7					

Fig.73. REAR AXLE HOUSING

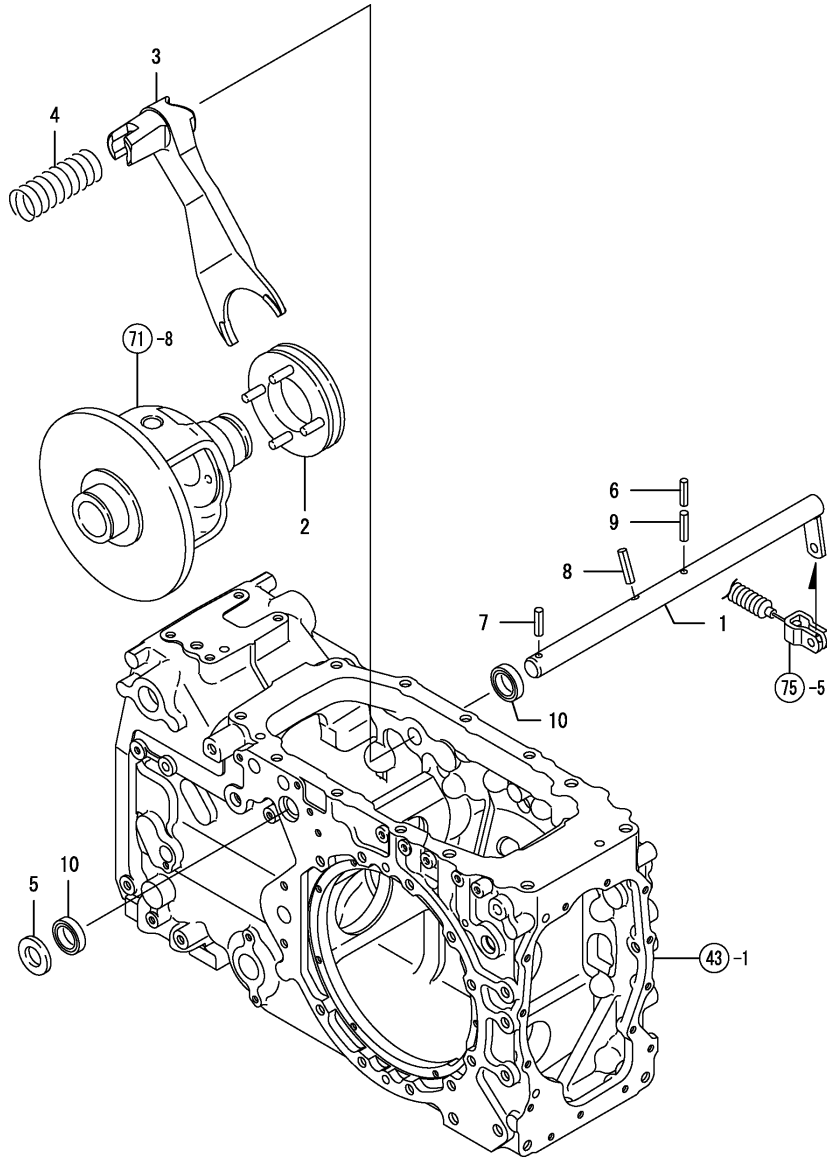
(A)=EG765-KPQ
 (B)=EG775-KPQ
 (C)=EG782-KPQ

(D)=
 (E)=
 (F)=



REF.	LEV.	PARTS NO.	DESCRIPTION	QTY						I	R
				(A)	(B)	(C)	(D)	(E)	(F)		
1	1	1A7450-32610	HOUSING, REAR AXLE	2	2	2					
2	1	1A7450-32640	GASKET, REAR HOUSIG	2	2	2					
3	1	1A7450-32650	HOUSING, OIL SEAL	2	2	2					
4	1	1A7450-32660	GASKET, SEAL HOUSING	2	2	2					
5	1	198266-32670	OIL SEAL	2	2	2					
6	1	1A7450-32810	FLANGE BOLT,M12	20	20	20					
7	1	1A7450-32820	WASHER 12	20	20	20					
8	1	22190-120000	SEAL WASHER 12(BOLT)	20	20	20					
9	1	22312-100180	PARALLEL PIN 10X 18	4	4	4					
10	1	22635-600120	RIVET	6	6	6					
11	1	26013-100452	BOLT M10X 45	8	8	8					
12	1	26108-100852	BOLT 10* 85	2	2	2					

Fig.74. DIFF. LOCK



(A)=EG765-KPQ
(B)=EG775-KPQ
(C)=EG782-KPQ

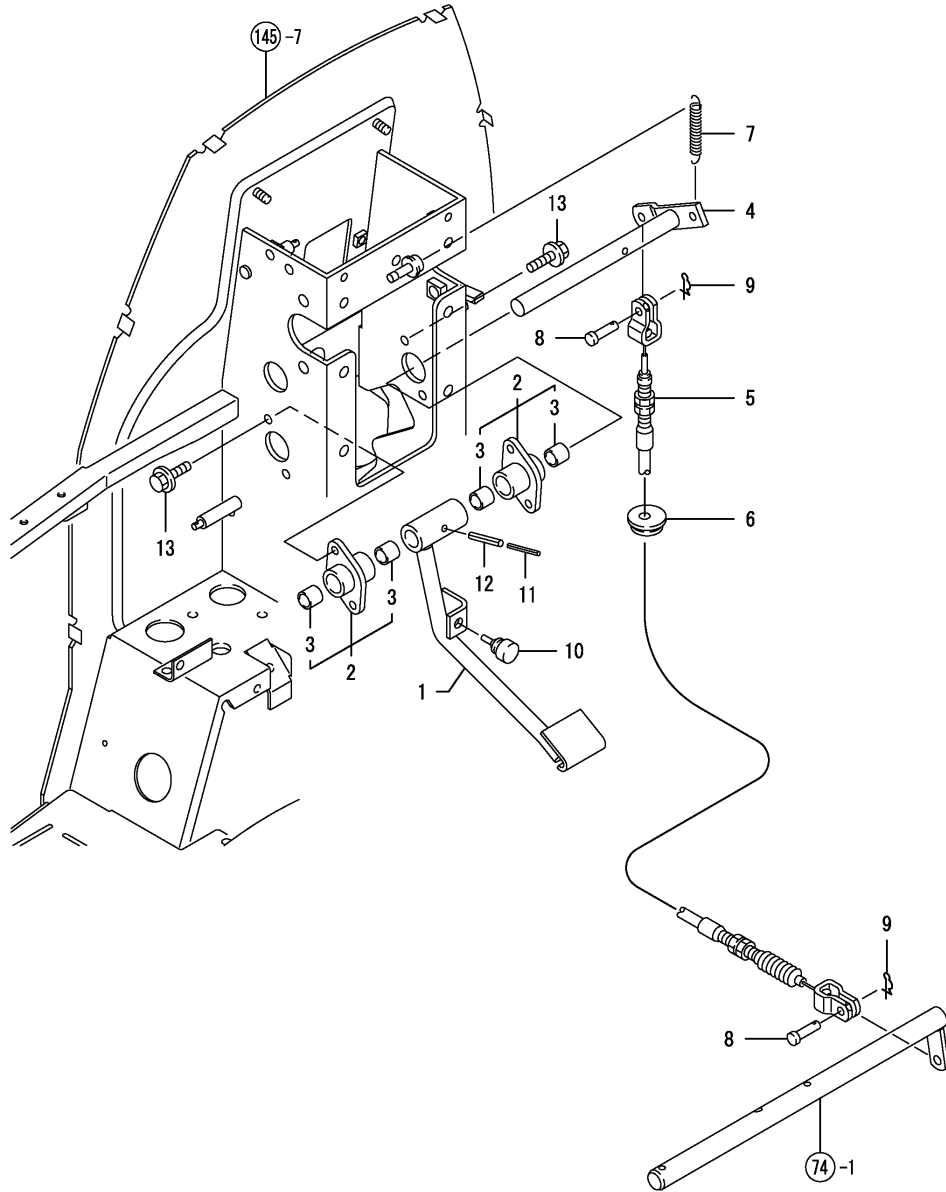
(D)=
(E)=
(F)=

REF.	LEV.	PARTS NO.	DESCRIPTION	QTY						I	R
				(A)	(B)	(C)	(D)	(E)	(F)		
1	1	198448-33120	DIFFLOCK SHAFT	1	1	1					
2	1	194464-33130	SLIDER, DIFFERENTIAL	1	1	1					
3	1	1A7350-33140	FORK DIFF,SHIFT	1	1	1					
4	1	198212-33150	SPRING, DIFF. LOCK	1	1	1					
5	1	22137-200000	WASHER 20,POLISHED	1	1	1					
6	1	22351-050040	SPRING PIN 5X40	1	1	1					
7	1	22351-060032	SPRING PIN 6X32	1	1	1					
8	1	22351-080032	SPRING PIN 8X32	1	1	1					
9	1	22351-080040	SPRING PIN 8X40	1	1	1					
10	1	41861-203007	SEAL, TC203007 ACM	2	2	2					

Fig.75. DIFF. LOCK PEDAL

(A)=EG765-KPQ
 (B)=EG775-KPQ
 (C)=EG782-KPQ

(D)=
 (E)=
 (F)=



REF.	LEV.	PARTS NO.	DESCRIPTION	QTY						I	R
				(A)	(B)	(C)	(D)	(E)	(F)		
1	1	198448-33220	PEDAL ASSY,DIFF.LOCK	1	1	1					
2	1	198448-33310	RETAINER,DIFF, PEDAL	2	2	2					
3	2	24550-017150	BUSH 17X15	4	4	4					
4	1	198448-33340	PEDAL SHAFT	1	1	1					
5	1	1A7450-33380	CABLE ASSY,DIFF.LOCK	1	1	1					
6	1	198448-33390	GROMMET,CABLE	1	1	1					
7	1	198290-37510	SPRING,RETURN	1	1	1					
8	1	198220-37900	PIN 8X24	2	2	2					
9	1	1C6281-52320	PIN 8,COME-OFF SNAP	2	2	2					
10	1	194330-62530	STOPPER, PEDAL	1	1	1					
11	1	22351-035040	SPRING PIN 3.5X40	1	1	1					
12	1	22351-060040	SPRING PIN 6X40	1	1	1					
13	1	26106-080162	BOLT M 8X 16 PLATED	4	4	4					

Fig.76. FINAL PINION

0CNP4-G99000 76. FINAL PINION

(A)=EG765-KPQ
 (B)=EG775-KPQ
 (C)=EG782-KPQ

(D)=
 (E)=
 (F)=

REF.	LEV.	PARTS NO.	DESCRIPTION	Q'TY						I	R
				(A)	(B)	(C)	(D)	(E)	(F)		
1	1	1A7450-33410	PINION LH,FINAL	1	1	1					
2	1	1A7450-33420	PINION RH,FINAL	1	1	1					

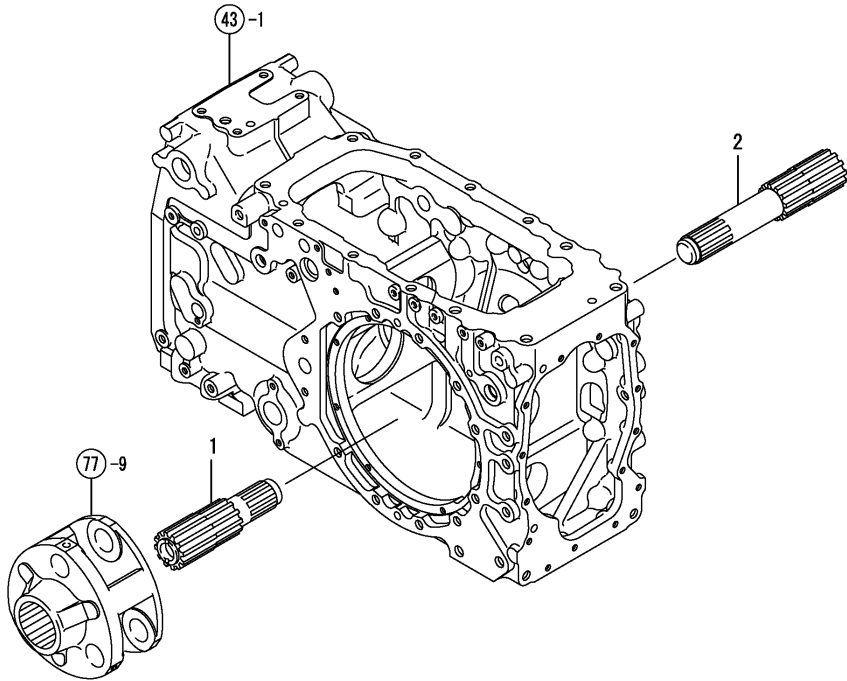
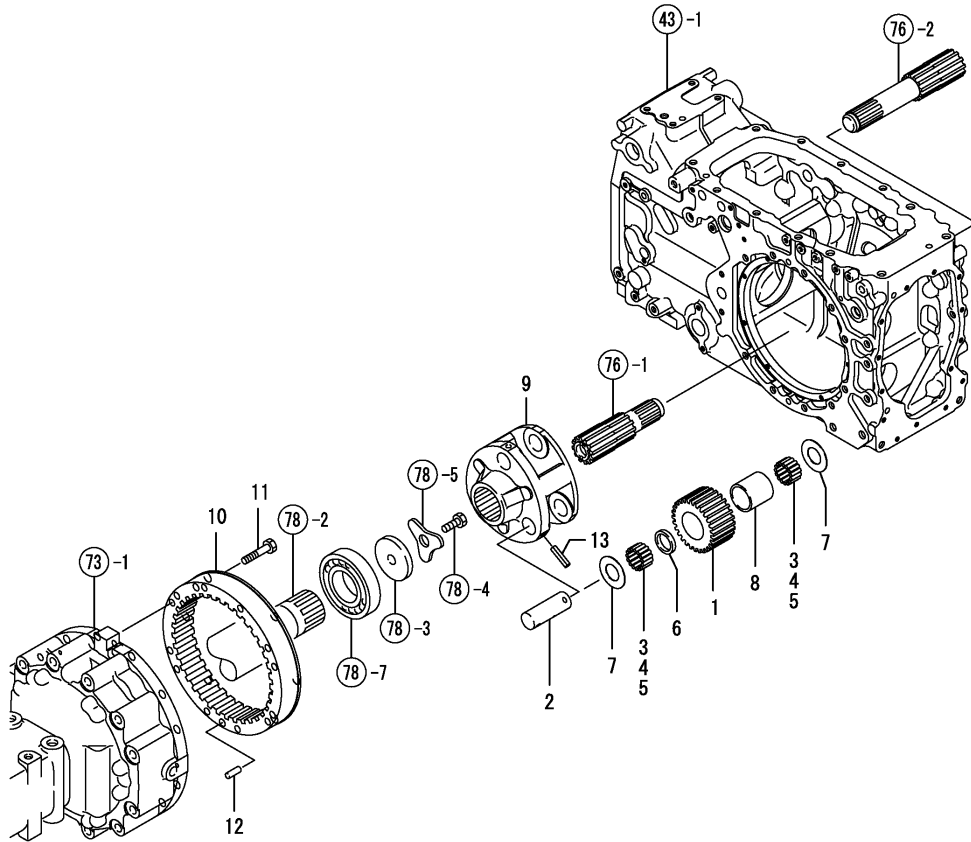


Fig.77. FINAL GEAR

(A)=EG765-KPQ
 (B)=EG775-KPQ
 (C)=EG782-KPQ

(D)=
 (E)=
 (F)=



REF.	LEV.	PARTS NO.	DESCRIPTION	QTY						I	R
				(A)	(B)	(C)	(D)	(E)	(F)		
1	1	1A7450-33510	PINION,PLANET.	6	6	6					
2	1	1A7450-33520	SHAFT,PLANET.	6	6	6					
3	1	1A7450-33530	NEEDLE 5X19.8	99	99	99					
4	1	1A7450-33530	NEEDLE 5X19.8	99	99	99					
5	1	1A7450-33530	NEEDLE 5X19.8	54	54	54					
6	1	1A7450-33540	COLLAR 28X37X6	6	6	6					
7	1	1A7450-33550	WASHER 27X52X1	12	12	12					
8	1	1A7450-33560	BUSHING 37X44.5X45	6	6	6					
9	1	1A7450-33570	CARRIER, PLANETARY	2	2	2					
10	1	1A7450-33580	GEAR,INTERNAL	2	2	2					
11	1	198217-33650	BOLT 10* 55	24	24	24					
12	1	22312-120180	PARALLEL PIN 12X18	4	4	4					
13	1	22351-080040	SPRING PIN 8X40	6	6	6					

Fig.78. REAR AXLE SHAFT

0CNP4-G99000 78. REAR AXLE SHAFT

(A)=EG765-KPQ
 (B)=EG775-KPQ
 (C)=EG782-KPQ

(D)=
 (E)=
 (F)=

REF.	LEV.	PARTS NO.	DESCRIPTION	QTY						I	R
				(A)	(B)	(C)	(D)	(E)	(F)		
1	1	198266-32680	SEAL COLLAR	2	2	2					
2	1	1A7450-34110	SHAFT,REAR AXLE	2	2	2					
3	1	198440-34130	WASHER 13X64X9	2	2	2					
4	1	194640-34140	BOLT M12X30	2	2	2					
5	1	194640-34150	WASHER, THRUST	2	2	2					
6	1	194120-34180	SPACER	2	2	2					
7	1	24101-060114	BALL BEARING	2	2	2					
8	1	24101-060154	BALL BEARING	4	4	4					
9	1	41852-000750	O-RING G 75.0 ACM	2	2	2					

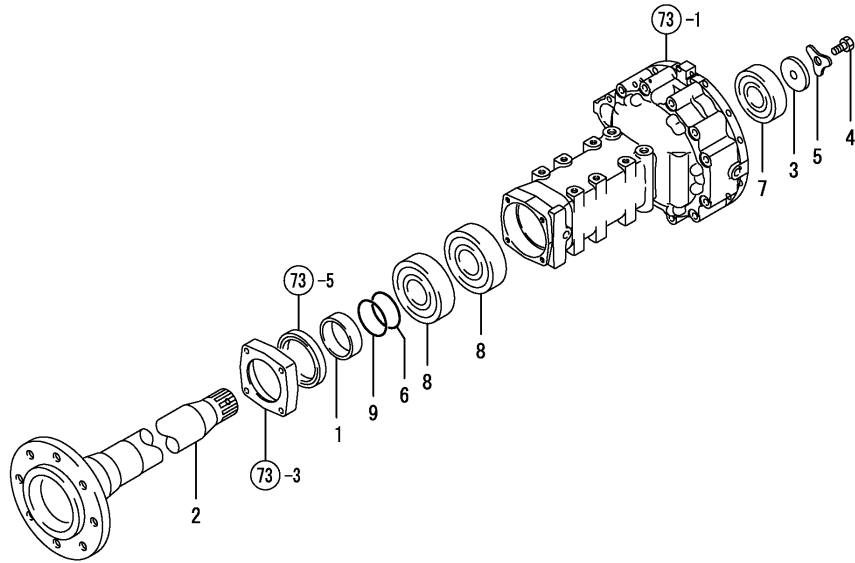
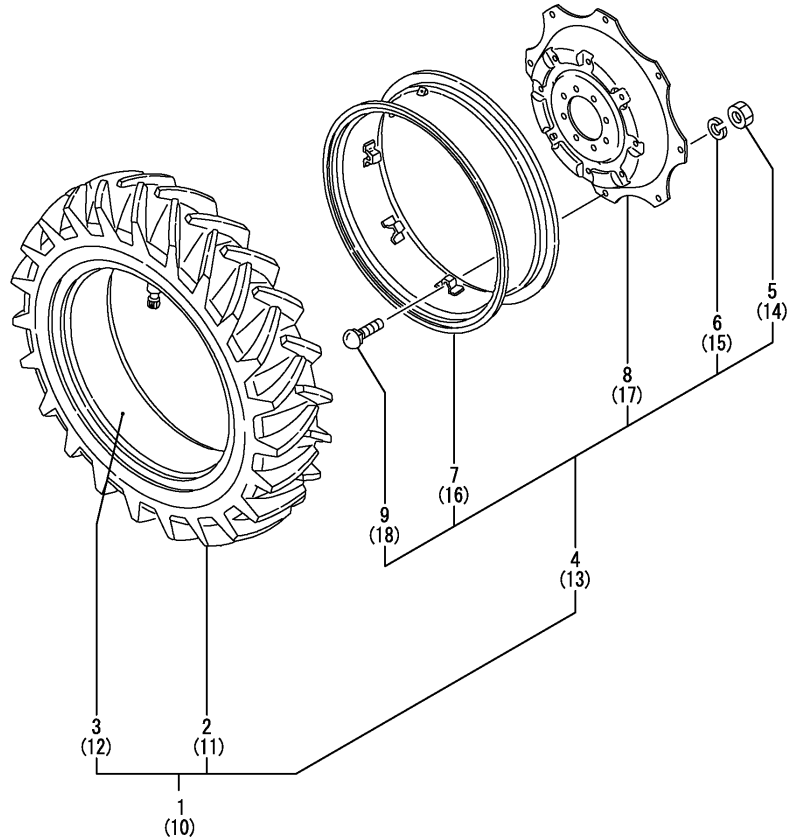


Fig.79. REAR WHEEL TIRE

(A)=EG765-KPQ
 (B)=EG775-KPQ
 (C)=EG782-KPQ

(D)=
 (E)=
 (F)=



REF.	LEV.	PARTS NO.	DESCRIPTION	QTY						I	R
				(A)	(B)	(C)	(D)	(E)	(F)		
1	1	794660-34710	TIRE 16.9-30HL ASSY	1	1	1					
2	2	194120-34540	TIRE	1	1	1					
3	2	1A6502-34920	TUBE	1	1	1					
4	2	194660-34701	WHEEL W14X30 COMPL.	1	1	1					
5	3	194181-14180	NUT M16	8	8	8					
6	3	194065-34170	WASHER 16, LOCK	8	8	8					
7	3	194120-34511	RIM W14X30 (14)	1	1	1					
8	3	194065-34720	DISC 30	1	1	1					
9	3	198268-34850	BOLT M16X 70	8	8	8					
10	1	794660-34810	TIRE 16.9-30HR ASSY	1	1	1					
11	2	194120-34540	TIRE	1	1	1					
12	2	1A6502-34920	TUBE	1	1	1					
13	2	194660-34701	WHEEL W14X30 COMPL.	1	1	1					
14	3	194181-14180	NUT M16	8	8	8					
15	3	194065-34170	WASHER 16, LOCK	8	8	8					
16	3	194120-34511	RIM W14X30 (14)	1	1	1					
17	3	194065-34720	DISC 30	1	1	1					
18	3	198268-34850	BOLT M16X 70	8	8	8					

Fig.80. REAR HUB BOLT

0CNP4-G99000 80. REAR HUB BOLT

(A)=EG765-KPQ
 (B)=EG775-KPQ
 (C)=EG782-KPQ

(D)=
 (E)=
 (F)=

REF.	LEV.	PARTS NO.	DESCRIPTION	QTY						I	R
				(A)	(B)	(C)	(D)	(E)	(F)		
1	1	198269-34140	STUD,BOLT 18 X 35	16	16	16					
2	1	194180-34951	NUT M16	8	8	8					
3	1	194180-34951	NUT M16	8	8	8					
4	1	194180-34960	WASHER 16	16	16	16					

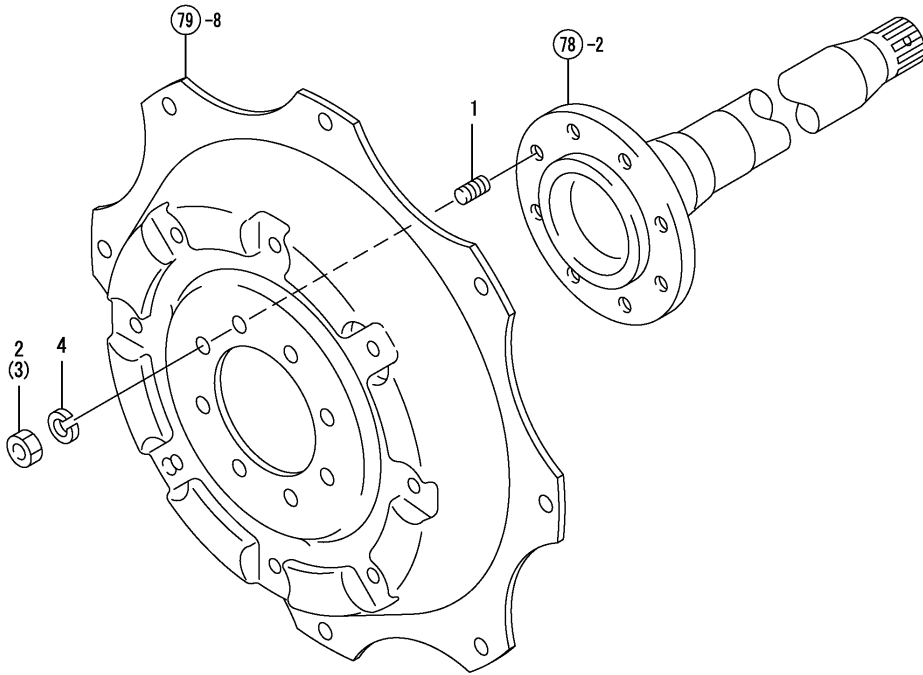
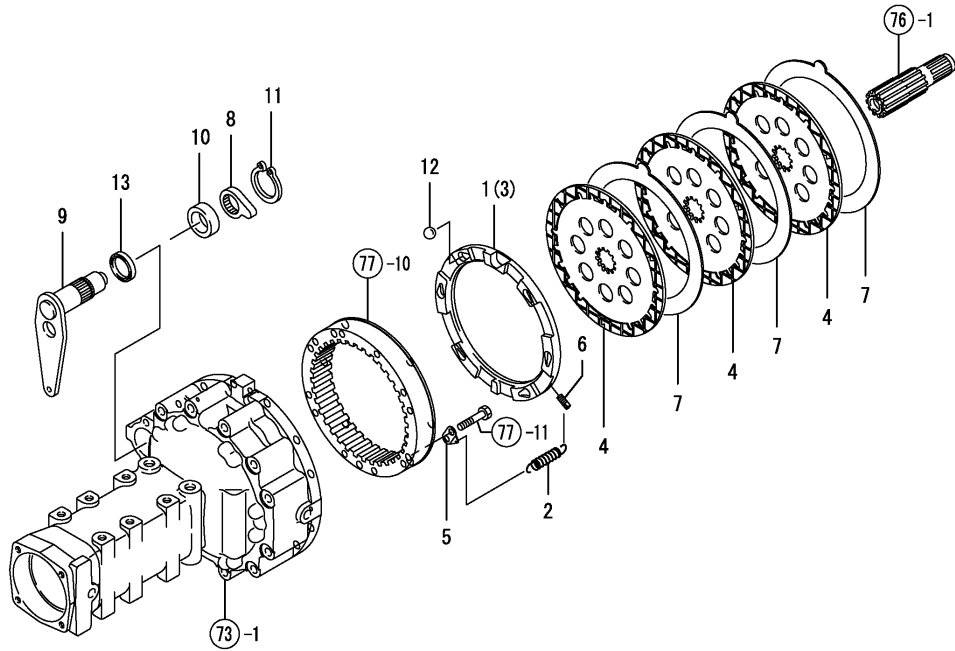


Fig.81. BRAKE

(A)=EG765-KPQ
(B)=EG775-KPQ
(C)=EG782-KPQ

(D)=
(E)=
(F)=

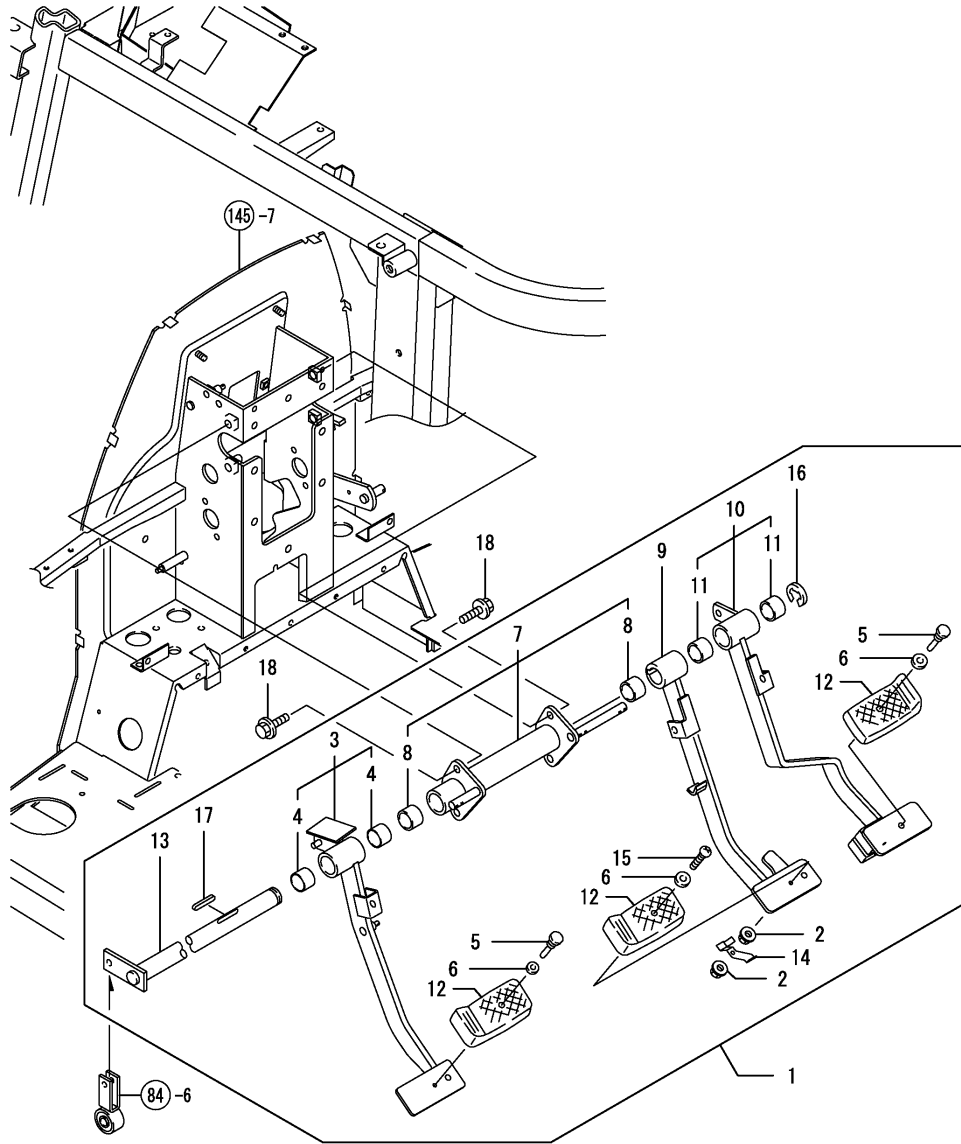


REF.	LEV.	PARTS NO.	DESCRIPTION	QTY						I	R
				(A)	(B)	(C)	(D)	(E)	(F)		
1	1	1A7450-36311	ACTUATOR, BRAKE L.H.	1	1	1					
2	1	194205-36320	SPRING, ACTUATOR	4	4	4					
3	1	1A7450-36321	ACTUATOR, BRAKE R.H.	1	1	1					
4	1	1A7450-36351	DISC, FRICTION	6	6	6					
5	1	1A7450-36380	HOOK, SPRING	4	4	4					
6	1	1A7450-36390	BOLT, SPRING	4	4	4					
7	1	1A7450-36520	PLATE, STEEL 3.2	6	6	6					
8	1	1A7450-36710	LEVER, CAM	2	2	2					
9	1	1A7450-36730	SHAFT, CAM LEVER	2	2	2					
10	1	1A7450-36790	SLEEVE, CAM LEVER	2	2	2					
11	1	22242-000350	CIRCLIP 35	2	2	2					
12	1	24190-180001	BALL 9/16	12	12	12					
13	1	24423-355008	SEAL, OIL	2	2	2					

Fig.82. PEDAL

(A)=EG765-KPQ
 (B)=EG775-KPQ
 (C)=EG782-KPQ

(D)=
 (E)=
 (F)=



REF.	LEV.	PARTS NO.	DESCRIPTION	QTY						I	R
				(A)	(B)	(C)	(D)	(E)	(F)		
1	1	1A7450-37202	PEDAL ASSY	1	1	1					
2	2	194990-22120	NUT, M5	2	2	2					
3	2	1A7450-22401	PEDAL ASSY,CLUTCH	1	1	1					
4	3	198448-37360	BUSH 25X28X20	2	2	2					
5	2	198133-22510	RIVET,PEDAL HEAD	2	2	2					
6	2	198133-22530	WASHER,RIVET	3	3	3					
7	2	198448-37250	RETAINER ASSY, SHAFT	1	1	1					
8	3	198448-37360	BUSH 25X28X20	2	2	2					
9	2	198535-37301	PEDAL ASSY, BRAKE L	1	1	1					
10	2	1A7450-37401	PEDAL ASSY,BRAKE R	1	1	1					
11	3	198448-37360	BUSH 25X28X20	2	2	2					
12	2	198071-37510	COVER,PEDAL HEAD	3	3	3					
13	2	1A7450-37550	SHAFT,BRAKE	1	1	1					
14	2	198475-37770	SPRING	1	1	1					
15	2	198475-37780	SCREW, 5 X 25	1	1	1					
16	2	22272-000190	CIRCLIP E-19	1	1	1					
17	2	22512-070400	KEY 7X 40	1	1	1					
18	1	26106-100202	BOLT M10X 20 PLATED	4	4	4					

Fig.83. BRAKE LINK(MAIN)

(A)=EG765-KPQ
(B)=EG775-KPQ
(C)=EG782-KPQ

(D)=
(E)=
(F)=

REF.	LEV.	PARTS NO.	DESCRIPTION	QTY						I	R
				(A)	(B)	(C)	(D)	(E)	(F)		
1	1	198273-28520	KNOB,P BRAKE	1	1	1					
2	1	1A7450-37370	ROD,BRAKE	2	2	2					
3	1	1A7450-37461	ARM ASSY,BRAKE L	1	1	1					
4	2	1A7450-37540	FITTING, PT 1/8	1	1	1					
5	1	1A7450-37471	ARM ASSY,BRAKE R	1	1	1					
6	2	1A7450-37540	FITTING, PT 1/8	1	1	1					
7	1	198071-37781	BOLT M20 R,COLLAR	1	1	1					
8	1	198071-37791	BOLT M20 L,COLLAR	1	1	1					
9	1	198071-37820	SPACER 20/29	2	2	2					
10	1	198220-37900	PIN 8X24	4	4	4					
11	1	198220-37900	PIN 8X24	2	2	2					
12	1	1C6281-52320	PIN 8,COME-OFF SNAP	2	2	2					
13	1	22137-080000	WASHER 8, POLISHED	4	4	4					
14	1	22137-120000	WASHER 12,POLISHED	1	1	1					
15	1	22417-250300	COTTER PIN 2.5X30	1	1	1					
16	1	22417-250300	COTTER PIN 2.5X30	4	4	4					

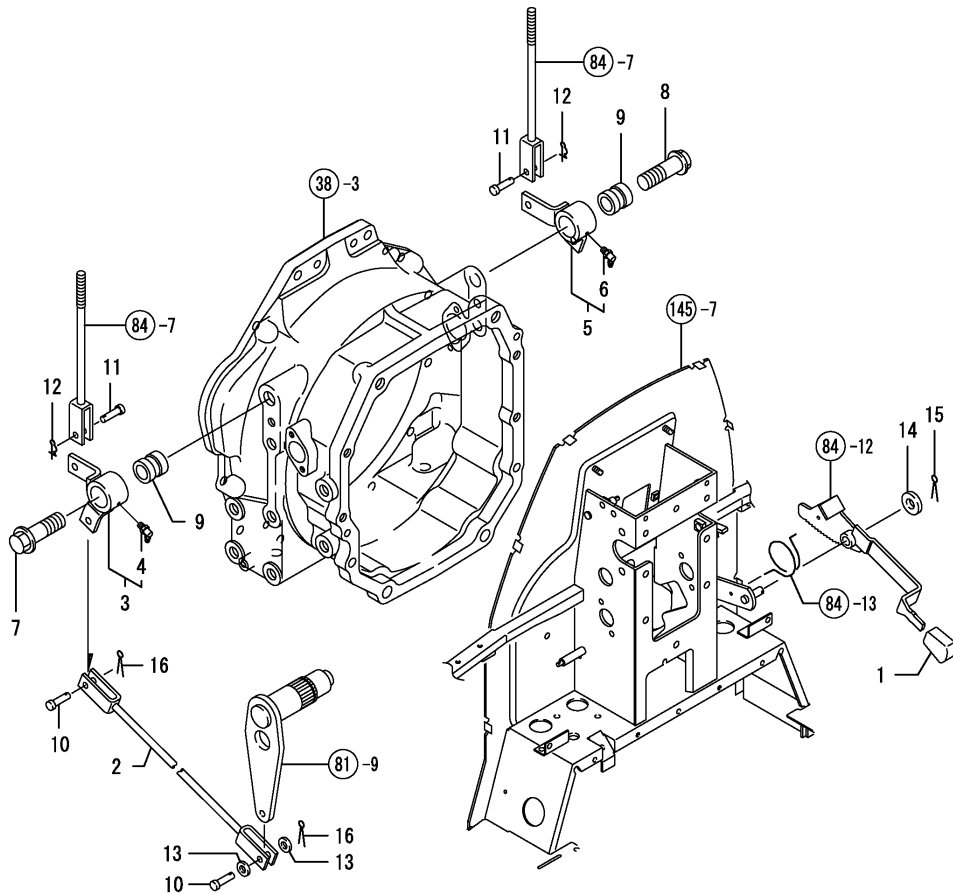
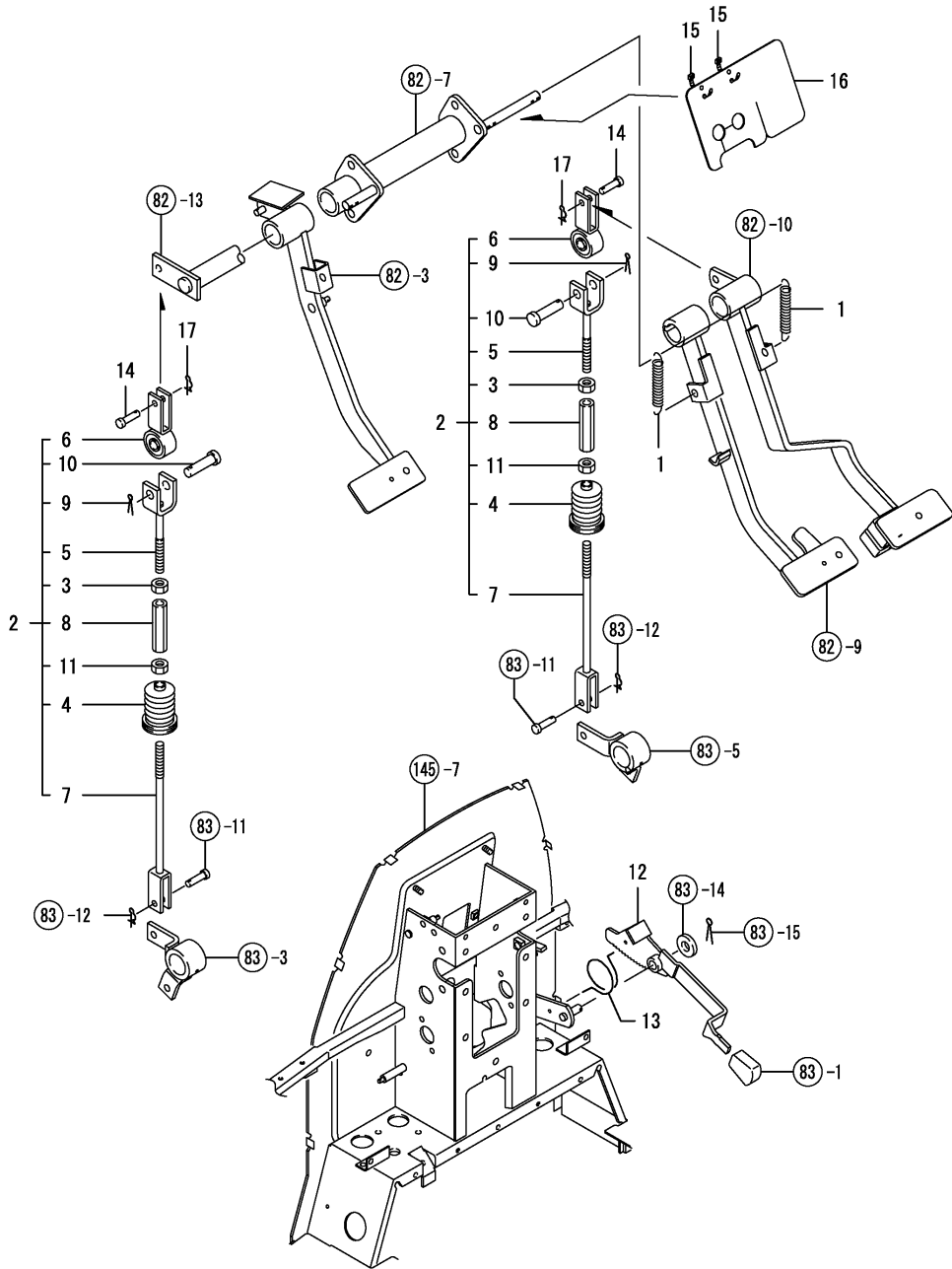


Fig.84. BRAKE LINK(CABIN FLOOR



(A)=EG765-KPQ
(B)=EG775-KPQ
(C)=EG782-KPQ

(D)=
(E)=
(F)=

REF.	LEV.	PARTS NO.	DESCRIPTION	QTY						I	R
				(A)	(B)	(C)	(D)	(E)	(F)		
1	1	198290-37510	SPRING,RETURN	2	2	2					
2	1	1A7450-37610	ROD ASSY,BRAKE	2	2	2					
3	2	194150-22480	NUT M10	2	2	2					
4	2	198448-37450	BOOTS	2	2	2					
5	2	198448-37530	ROD, BRAKE	2	2	2					
6	2	198448-37600	ROD A COMP.,BRAKE	2	2	2					
7	2	1A7450-37620	ROD,BRAKE	2	2	2					
8	2	194130-37730	TURNBUCKLE M10X70	2	2	2					
9	2	22417-200300	COTTER PIN 2.0X30	2	2	2					
10	2	22487-120400	PIN 12X 40	2	2	2					
11	2	26716-100002	NUT 10	2	2	2					
12	1	1A7450-37650	LEVER, LOCK BRAKE	1	1	1					
13	1	198475-37690	SPRING	1	1	1					
14	1	198220-37900	PIN 8X24	2	2	2					
15	1	198153-51810	BAND 150,NYLON	2	2	2					
16	1	1A7450-51820	COVER,WIRE HARNESS	1	1	1					
17	1	1C6281-52320	PIN 8,COME-OFF SNAP	2	2	2					

Fig.85. PUMP, HYDRAULIC

0CNP4-G99000 85. PUMP, HYDRAULIC

(A)=EG765-KPQ
 (B)=EG775-KPQ
 (C)=EG782-KPQ

(D)=
 (E)=
 (F)=

REF.	LEV.	PARTS NO.	DESCRIPTION	QTY						I	R
				(A)	(B)	(C)	(D)	(E)	(F)		
1	1	194990-22140	NUT W/WASHER 8	2	2	2					
2	1	1A7450-41110	PUMP ASSY, HYDRAULIC	1	1	1					
3	1	22217-080000	SPRING WASHER 8	2	2	2					
4	1	26116-081702	BOLT M 8X170 PLATED	2	2	2					

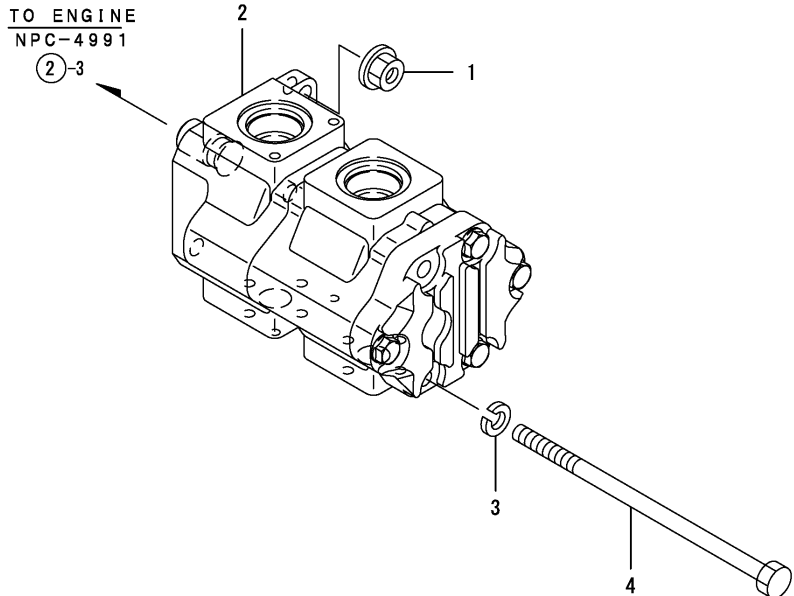
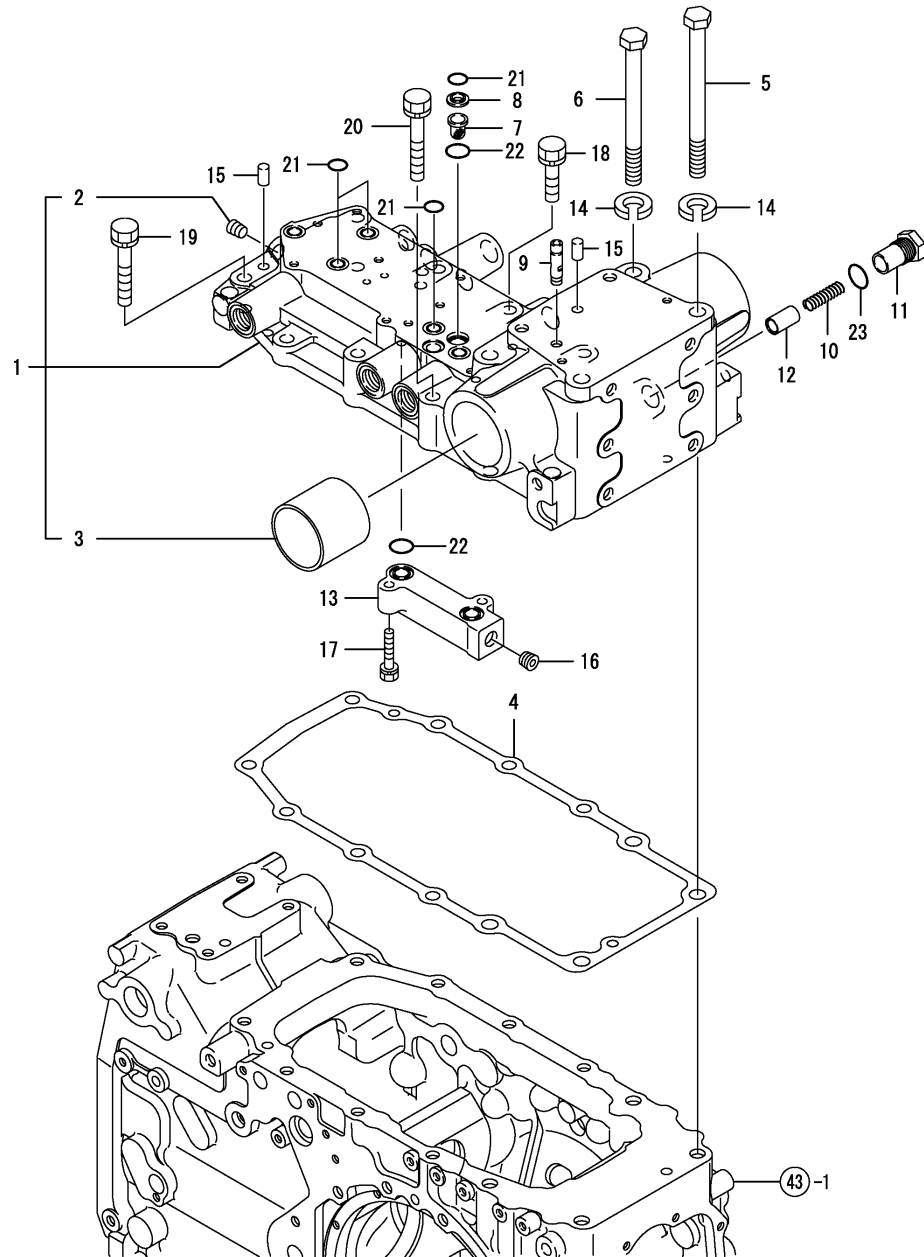


Fig.86. HYD. VALVE HOUSING

(A)=EG765-KPQ
(B)=EG775-KPQ
(C)=EG782-KPQ

(D)=
(E)=
(F)=

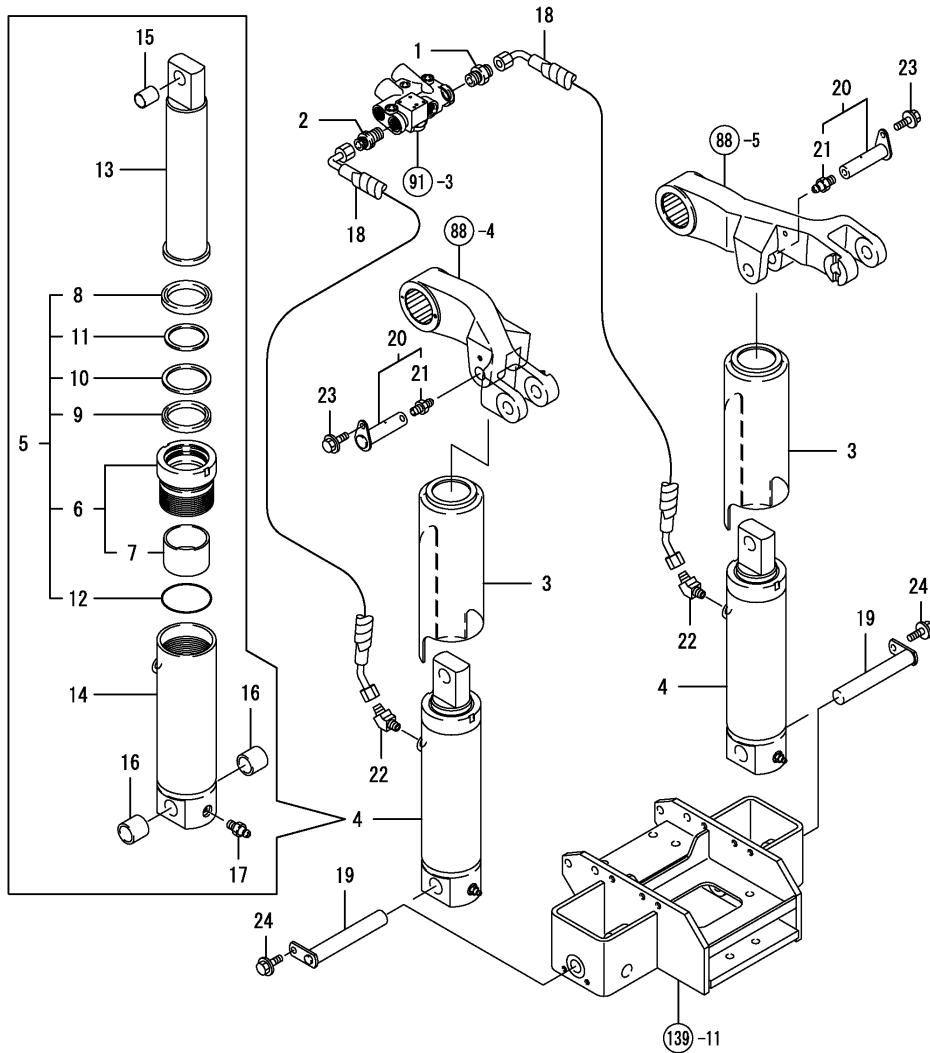


REF.	LEV.	PARTS NO.	DESCRIPTION	QTY						I	R
				(A)	(B)	(C)	(D)	(E)	(F)		
1	1	1A7450-42101	HOUSING ASSY, VALVE	1	1	1					
2	2	23871-030000	PLUG PT3/8,SCREW	1	1	1					
3	2	24550-060600	BEARING, 60 X 60	2	2	2					
4	1	1A7450-42150	GASKET, HYD. HOUSING	1	1	1					
5	1	1A7450-42181	BOLT, 14X170	2	2	2					
6	1	1A7450-42191	BOLT, 14X155	2	2	2					
7	1	194556-42220	STRAINER A	1	1	1					
8	1	1A7450-42260	STRAINER,SUPPORT	1	1	1					
9	1	194555-42280	BREATHER, AIR	1	1	1					
10	1	1A7450-43320	SPRING	1	1	1					
11	1	1A7450-43380	PLUG	1	1	1					
12	1	1A7450-43390	VALVE, RELIEF	1	1	1					
13	1	1A7450-48590	BLOCK, BYPASS	1	1	1					
14	1	22217-140000	SPRING WASHER 14	4	4	4					
15	1	22312-100180	PARALLEL PIN 10X 18	2	2	2					
16	1	23871-030000	PLUG PT3/8,SCREW	1	1	1					
17	1	26013-080402	BOLT M 8X 40	2	2	2					
18	1	26013-120402	BOLT M12X 40	4	4	4					
19	1	26013-120702	BOLT 12X70 W/SP.WSHR	2	2	2					
20	1	26013-120752	BOLT M12X 75	2	2	2					
21	1	41850-000160	PACKING, 16.0	4	4	4					
22	1	41850-000180	PACKING, 18.0	2	2	2					
23	1	41850-000200	PACKING, 20.0	1	1	1					

Fig.87. HYD. CYLINDER

(A)=EG765-KPQ
(B)=EG775-KPQ
(C)=EG782-KPQ

(D)=
(E)=
(F)=



REF.	LEV.	PARTS NO.	DESCRIPTION	QTY						I	R
				(A)	(B)	(C)	(D)	(E)	(F)		
1	1	198266-24980	FITTING	1	1	1					
2	1	1A7450-24980	FITTING, 3/8	1	1	1					
3	1	1A7450-42510	COVER, CYLINDER	2	2	2					
4	1	1A7450-43100	CYLINDER ASSY, HYD.	2	2	2					
5	2	1A7450-43280	CAP ASSY, CYLINDER	2	2	2					
6	3	1A7450-43270	CAP ASSY,	2	2	2					
7	4	24550-065500	BEARING, 65 X 50	2	2	2					
8	3	198266-43391	SCRAPER 65	2	2	2					
9	3	198266-43400	PACKING 65	2	2	2					
10	3	198266-43421	RING 65, BUCK UP	2	2	2					
11	3	198266-43480	WIPER 65	2	2	2					
12	3	41853-000800	PACKING, 80.0	2	2	2					
13	2	1A7450-43310	ROD ASSY,	2	2	2					
14	2	1A7450-43330	TUBE ASSY, CYLINDER	2	2	2					
15	2	1A7450-43370	BUSH, 22X25X30	2	2	2					
16	2	24550-025300	BUSH 25X30	4	4	4					
17	2	24761-020000	NIPPLE PT1/8,GREASE	2	2	2					
18	1	1A7450-43461	HOSE, HYDRAULIC	2	2	2					
19	1	1A7450-43611	PIN, CYLINDER	2	2	2					
20	1	1A7450-43641	PIN ASSY, CYLINDER H	2	2	2					
21	2	1A7450-43680	FITTING, M6	2	2	2					
22	1	23394-030000	JOINT 45RGI 3/8	2	2	2					
23	1	26106-080122	BOLT M 8X 12 PLATED	2	2	2					
23-1	1	26106-080162	BOLT M 8X 16 PLATED	2	2	2					R
		(A=FXXXXXX) (B=FXXXXXX) (C=FXXXXXX)									
24	1	26106-100162	BOLT M10X 16 PLATED	2	2	2					

Fig.88. LIFT CRANK

(A)=EG765-KPQ
(B)=EG775-KPQ
(C)=EG782-KPQ

(D)=
(E)=
(F)=

REF.	LEV.	PARTS NO.	DESCRIPTION	QTY						I	R	
				(A)	(B)	(C)	(D)	(E)	(F)			
1	1	1A7450-44210	SHAFT, LIFT	1	1	1						
2	1	194450-44230	WASHER 60X85X2	2	2	2						
3	1	1A7450-44260	COLLAR	2	2	2						
4	1	1A7450-44410	ARM, LIFT L.H.	1	1	1						
5	1	1A7450-44420	ARM, LIFT R.H.	1	1	1						
6	1	1A7450-44510	ARM, LINK	1	1	1						
7	1	1A7450-44540	PLATE, LIFT SHAFT	1	1	1						
8	1	22351-060016	SPRING PIN 6X16	1	1	1						
9	1	24321-000600	O-RING 1A G-60.0	2	2	2						
10	1	26013-120352	BOLT M12X 35	2	2	2						
10-1	1	26106-120352	BOLT M12X 35	2	2	2					R	
(A=FXXXXXX) (B=FXXXXXX) (C=FXXXXXX)												

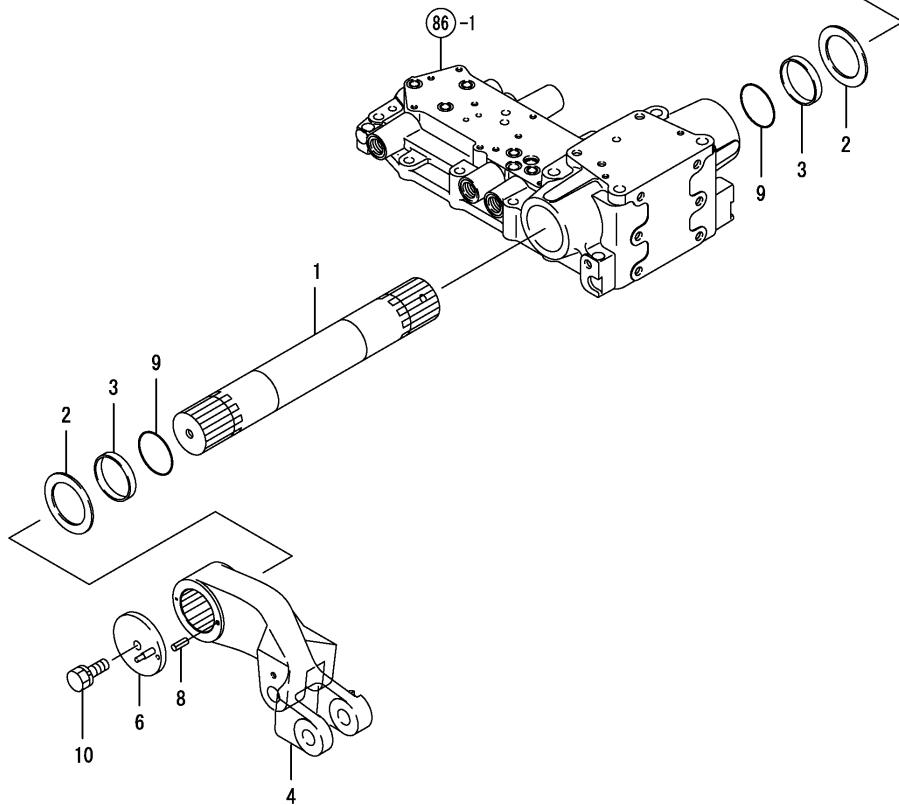
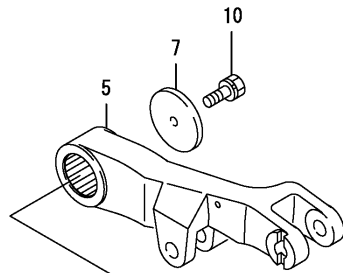


Fig.89. CONTROL

(A)=EG765-KPQ
 (B)=EG775-KPQ
 (C)=EG782-KPQ

(D)=
 (E)=
 (F)=

REF.	LEV.	PARTS NO.	DESCRIPTION	Q'TY						I	R
				(A)	(B)	(C)	(D)	(E)	(F)		
1	1	1A7450-45102	VALVE ASSY, SOLENOID	1	1	1					
2	1	198448-45150	VALVE COMP.,SOLENOID	1	1	1					
3	2	22217-040000	SPRING WASHER 4	2	2	2					
4	2	24341-000080	O-RING 1A S-8.0	2	2	2					
5	2	26450-040402	BOLT 4*40	2	2	2					
6	1	26450-080352	BOLT M 8X 35	4	4	4					

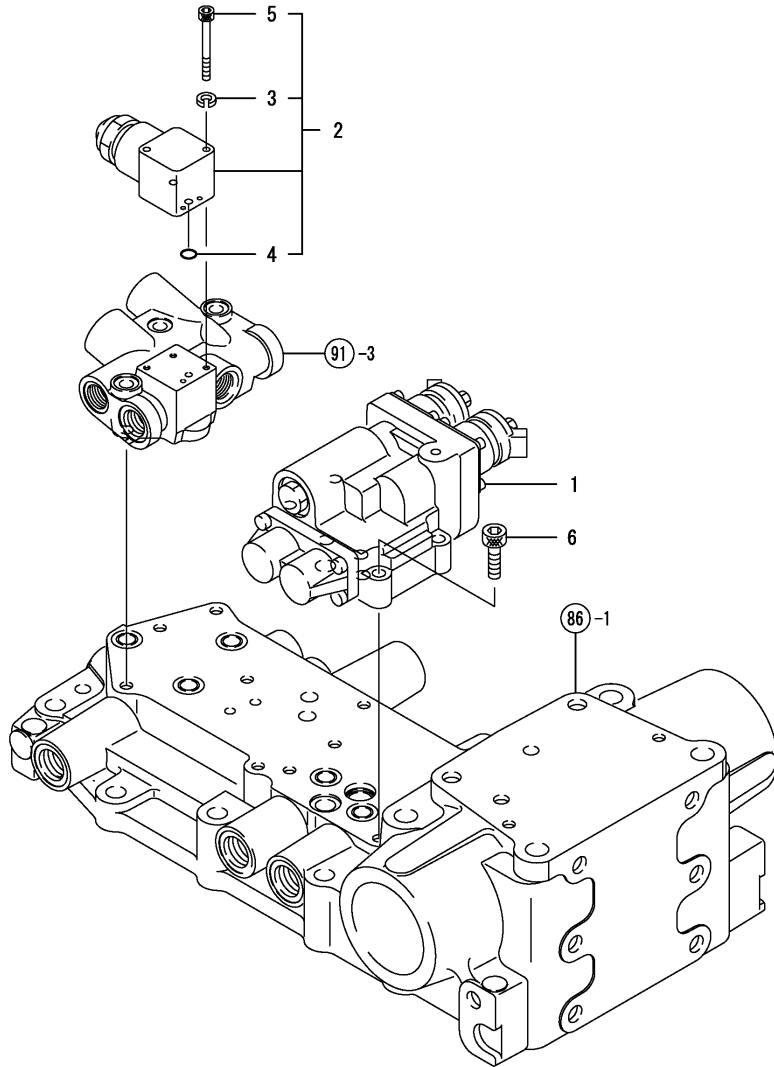


Fig.90. BOLT, STOP

(A)=EG765-KPQ
 (B)=EG775-KPQ
 (C)=EG782-KPQ

(D)=
 (E)=
 (F)=

REF.	LEV.	PARTS NO.	DESCRIPTION	QTY						I	R
				(A)	(B)	(C)	(D)	(E)	(F)		
1	1	1A7450-46580	BOLT,STOPPER FLOOR	1	1	1					
2	1	198448-46610	PILLOW UNIT, 12	1	1	1					
3	1	1A8160-46670	KNOB,STOP VALVE	1	1	1					
4	1	22242-000110	CIRCLIP 11	1	1	1					
5	1	24311-000090	O-RING 1A P-9.0	2	2	2					
6	1	26106-060162	BOLT M 6X 16 PLATED	2	2	2					
7	1	26716-100002	NUT 10	1	1	1					

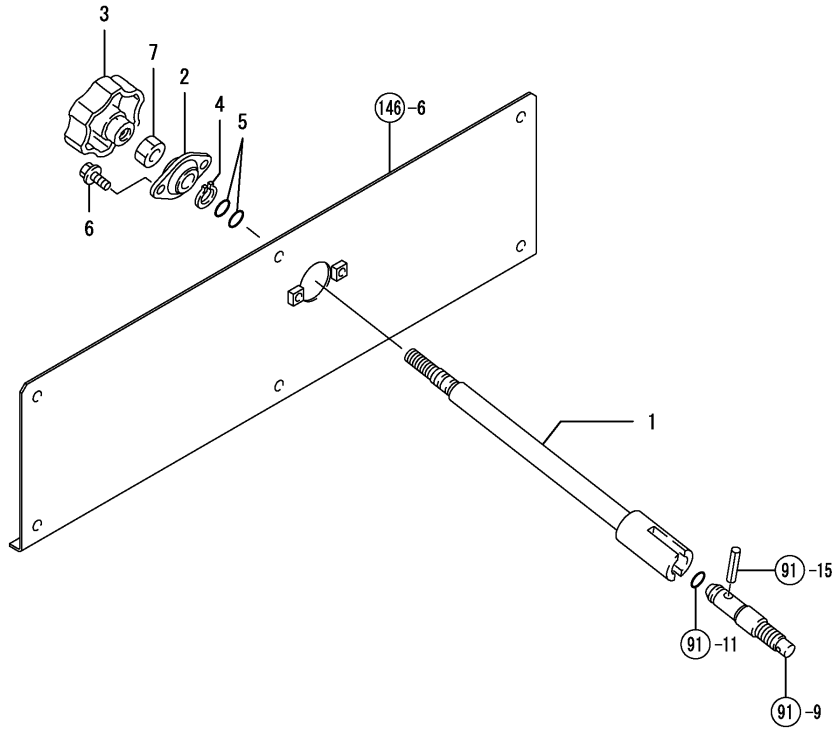
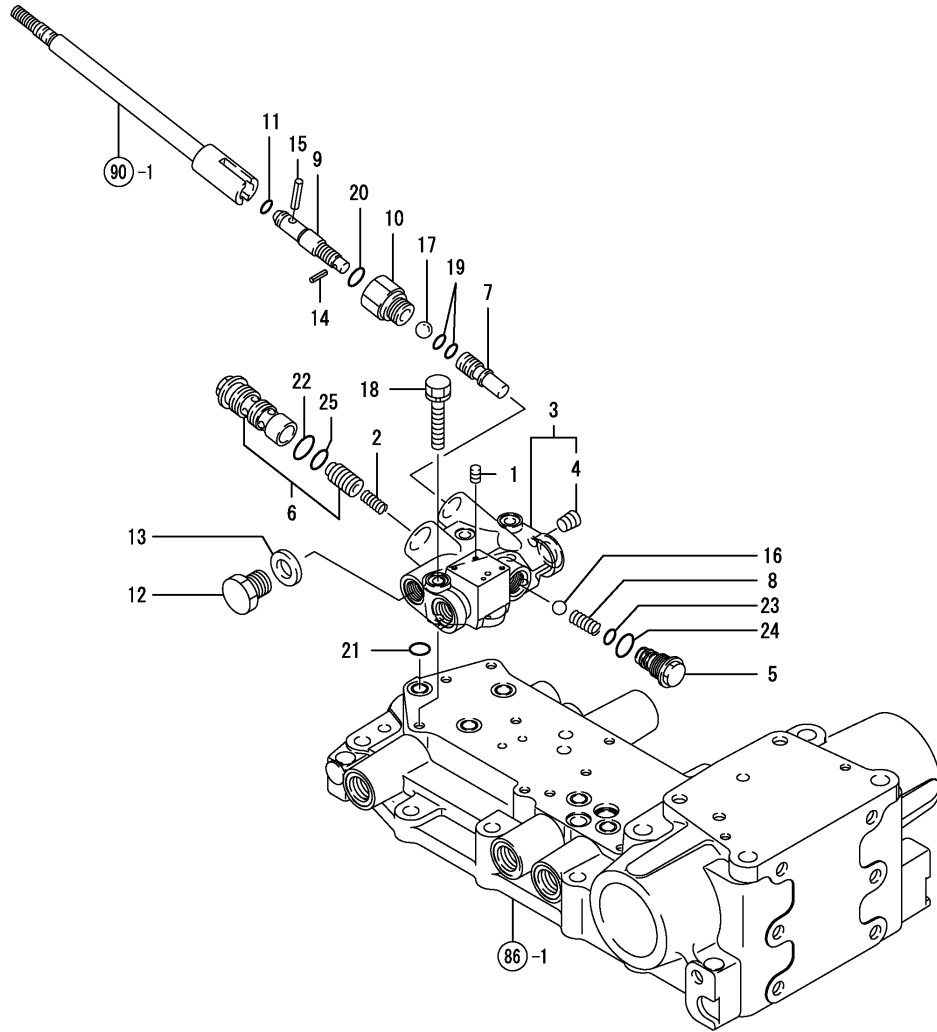


Fig.91. HEAD, HYD. VALVE

(A)=EG765-KPQ
 (B)=EG775-KPQ
 (C)=EG782-KPQ

(D)=
 (E)=
 (F)=

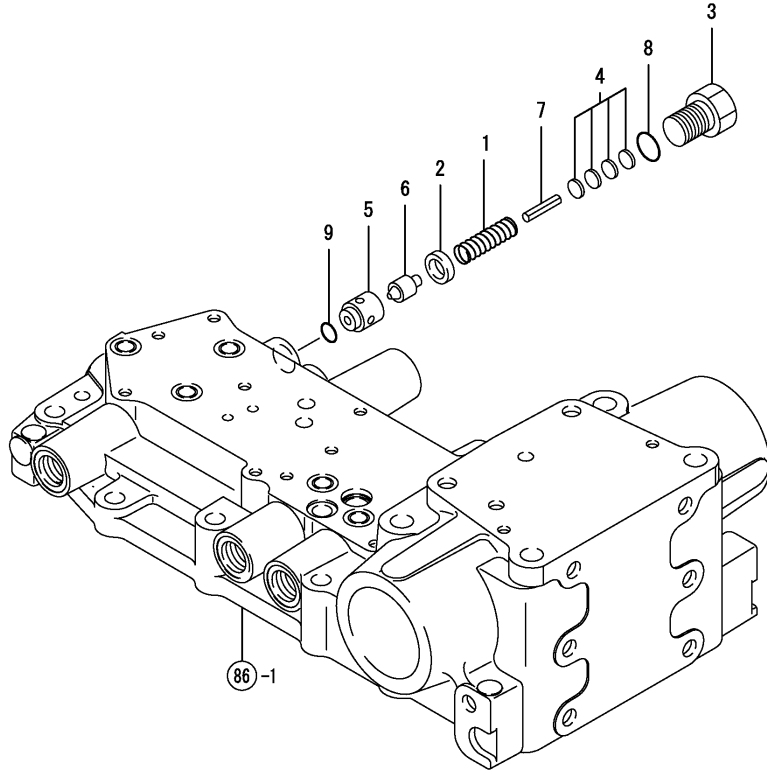


REF.	LEV.	PARTS NO.	DESCRIPTION	QTY						I	R
				(A)	(B)	(C)	(D)	(E)	(F)		
1	1	198448-43331	ORIFICE, CHECK VALVE	1	1	1					
2	1	198448-43340	SPRING,CHECK VALVE	1	1	1					
3	1	1A7450-43410	HEAD, HYD. VALVE	1	1	1					
4	2	23876-010000	PLUG PT1/8,SCREW	1	1	1					
5	1	1A7260-43450	PLUG, CHECK VALVE	1	1	1					
6	1	198268-43500	VALVE, CHECK	1	1	1					
7	1	198448-46300	STOP VALVE	1	1	1					
8	1	194555-46380	SPRING	1	1	1					
9	1	198448-46621	BOLT, STOP	1	1	1					
10	1	198448-46630	HOLDER	1	1	1					
11	1	198448-46660	PACKING, 10	1	1	1					
12	1	194312-46750	PLUG PF3/8	1	1	1					
13	1	194555-77910	GASKET	1	1	1					
14	1	22351-030016	SPRING PIN 3X16	1	1	1					
15	1	22351-060028	SPRING PIN 6X28	1	1	1					
16	1	24190-130003	STEEL BALL	1	1	1					
17	1	24190-150002	STEEL BALL 15/32	1	1	1					
18	1	26013-080502	BOLT M 8X 50	3	3	3					
19	1	41850-000110	PACKING, 11.0	2	2	2					
20	1	41850-000150	PACKING, 15.0	1	1	1					
21	1	41850-000160	PACKING, 16.0	3	3	3					
22	1	41850-000220	PACKING, 22.0	1	1	1					
23	1	41851-000120	O-RING P 12.0 HNBR	1	1	1					
24	1	41851-000180	PACKING, 18.0	1	1	1					
25	1	41856-010180	PACKING, 1018	1	1	1					

Fig.92. SAFETY VALVE

(A)=EG765-KPQ
(B)=EG775-KPQ
(C)=EG782-KPQ

(D)=
(E)=
(F)=



REF.	LEV.	PARTS NO.	DESCRIPTION	QTY						I	R
				(A)	(B)	(C)	(D)	(E)	(F)		
1	1	194150-45320	SPRING, RELIEF VALVE	1	1	1					
2	1	198220-45350	COLLAR	1	1	1					
3	1	198220-45370	PLUG, SAFETY VALVE	1	1	1					
4	1	198220-46400	SHIM PACK	1	1	1					
5	1	194640-46410	SEAT, SAFETY VALVE	1	1	1					
6	1	194640-46420	POPPET, SAFETY VALVE	1	1	1					
7	1	22351-060028	SPRING PIN 6X28	1	1	1					
8	1	41850-000180	PACKING, 18.0	1	1	1					
9	1	41851-000120	O-RING P 12.0 HNBR	1	1	1					

Fig.93. SCV. TRIPLE(COUPLER

(A)=EG765-KPQ
 (B)=EG775-KPQ
 (C)=EG782-KPQ

(D)=
 (E)=
 (F)=

REF.	LEV.	PARTS NO.	DESCRIPTION	Q'TY						I	R
				(A)	(B)	(C)	(D)	(E)	(F)		
1	1	198153-46920	JOINT ASSY	6	6	6					
2	1	198268-46980	ADAPTER, COUPLER	6	6	6					

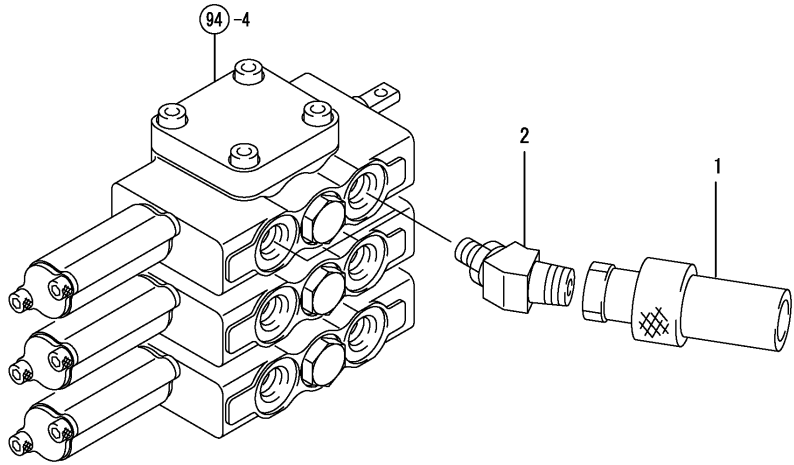
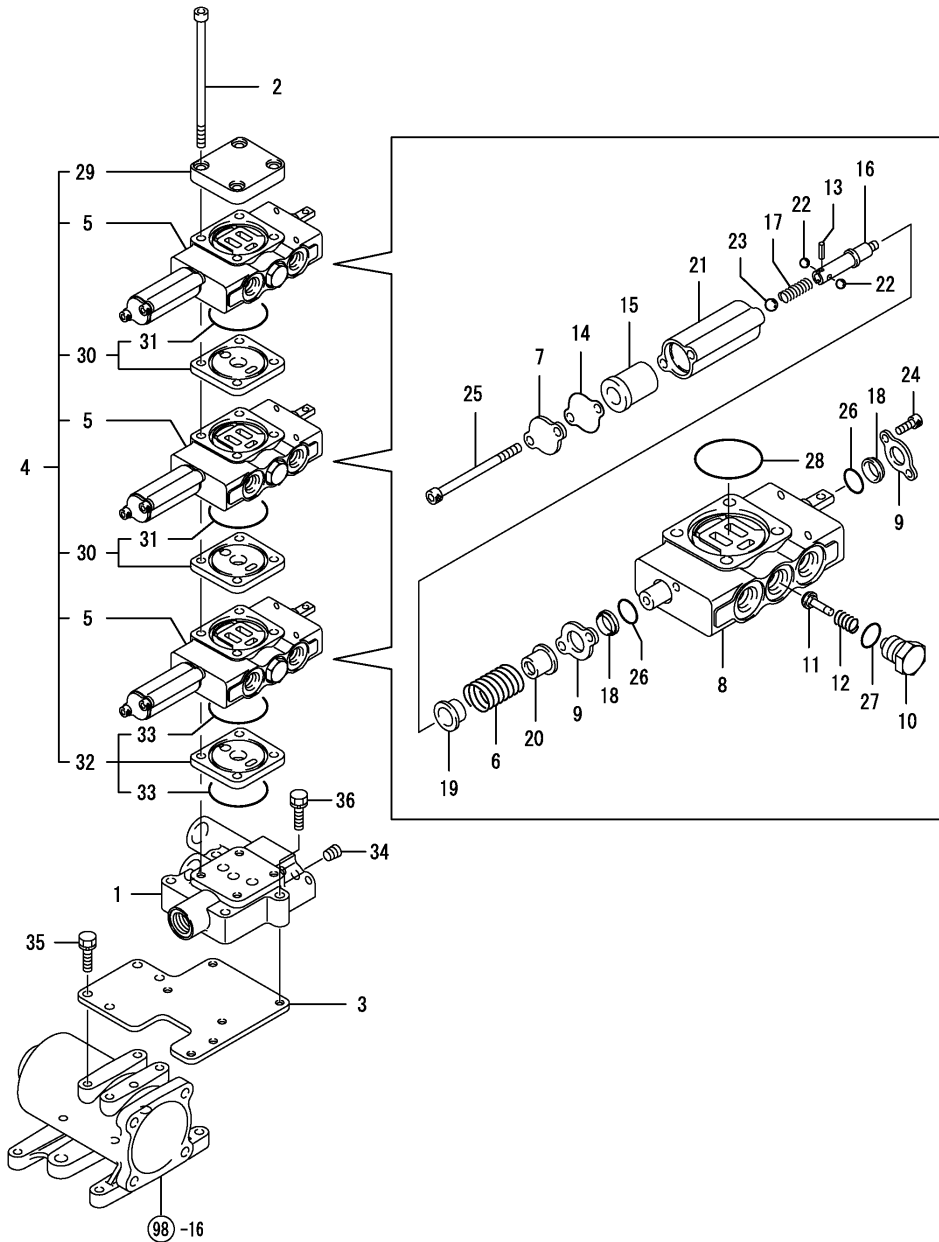


Fig.94. SCV. TRIPLE

(A)=EG765-KPQ
(B)=EG775-KPQ
(C)=EG782-KPQ

(D)=
(E)=
(F)=



REF.	LEV.	PARTS NO.	DESCRIPTION	QTY						I	R
				(A)	(B)	(C)	(D)	(E)	(F)		
1	1	1A7450-46810	PLATE, SCV. VALVE	1	1	1					
2	1	198268-46860	BOLT, M8X150	4	4	4					
2-1	1	198268-46861	BOLT, M8X150	4	4	4					N
		(A=*2008.06.) (B=*2008.06.) (C=*2008.06.)									
3	1	1A7450-46880	PLATE,SCV	1	1	1					
4	1	198268-46911	SCV. ASSY, TWIIN	1	1	1					
5	2	178076-04300	SCV CMP	3	3	3					
6	3	178076-04140	SPRING(4P)	3	3	3					
7	3	178076-04150	COVER	3	3	3					
8	3	178076-04210	BODY ASSY, A-2	3	3	3					
9	3	194850-49340	PLATE	6	6	6					
10	3	194850-49380	PLUG	3	3	3					
11	3	194850-49400	VALVE, CHECK	3	3	3					
12	3	194850-49410	SPRING	3	3	3					
13	3	194850-49440	PIN 2X 9	3	3	3					
14	3	194850-49450	PACKING	3	3	3					
15	3	194850-49460	HOLDER, DETENT	3	3	3					
16	3	194850-49480	SLIDER, DETENT	3	3	3					
17	3	194850-49490	SPRING	3	3	3					
18	3	172510-74410	SEAL, DUST	6	6	6					
19	3	172510-74440	RETAINER(A),SPRING	3	3	3					
20	3	172510-74450	RETAINER (B)	3	3	3					
21	3	172510-74471	COVER	3	3	3					
22	3	24190-050001	BALL 5/32	6	6	6					
23	3	24190-070001	BALL 7/32	3	3	3					
24	3	26450-060102	BOLT M 6X 10	6	6	6					
25	3	26450-060802	BOLT M 6X 80	6	6	6					
26	3	41850-000140	O RING 14.0 ACM	6	6	6					
27	3	41851-000140	O RING P 14.0 HNBR	3	3	3					
28	3	41856-020530	PACKING,2053	3	3	3					
29	2	198268-46820	VALVE COVER	1	1	1					
30	2	198268-46831	SPACER ASSY, SCV.	2	2	2					
31	3	41856-020530	PACKING,2053	2	2	2					
32	2	198268-46871	SPACER ASSY, L SCV.	1	1	1					
33	3	41856-020530	PACKING,2053	2	2	2					
34	1	23875-020000	PLUG PT1/4,STEEL	1	1	1					
35	1	26013-080202	BOLT W/WASHER M8X20	4	4	4					
36	1	26013-080402	BOLT M 8X 40	4	4	4					

Fig.95. SCV. CONTROL(TRIPLE CABIN)

(A)=EG765-KPQ

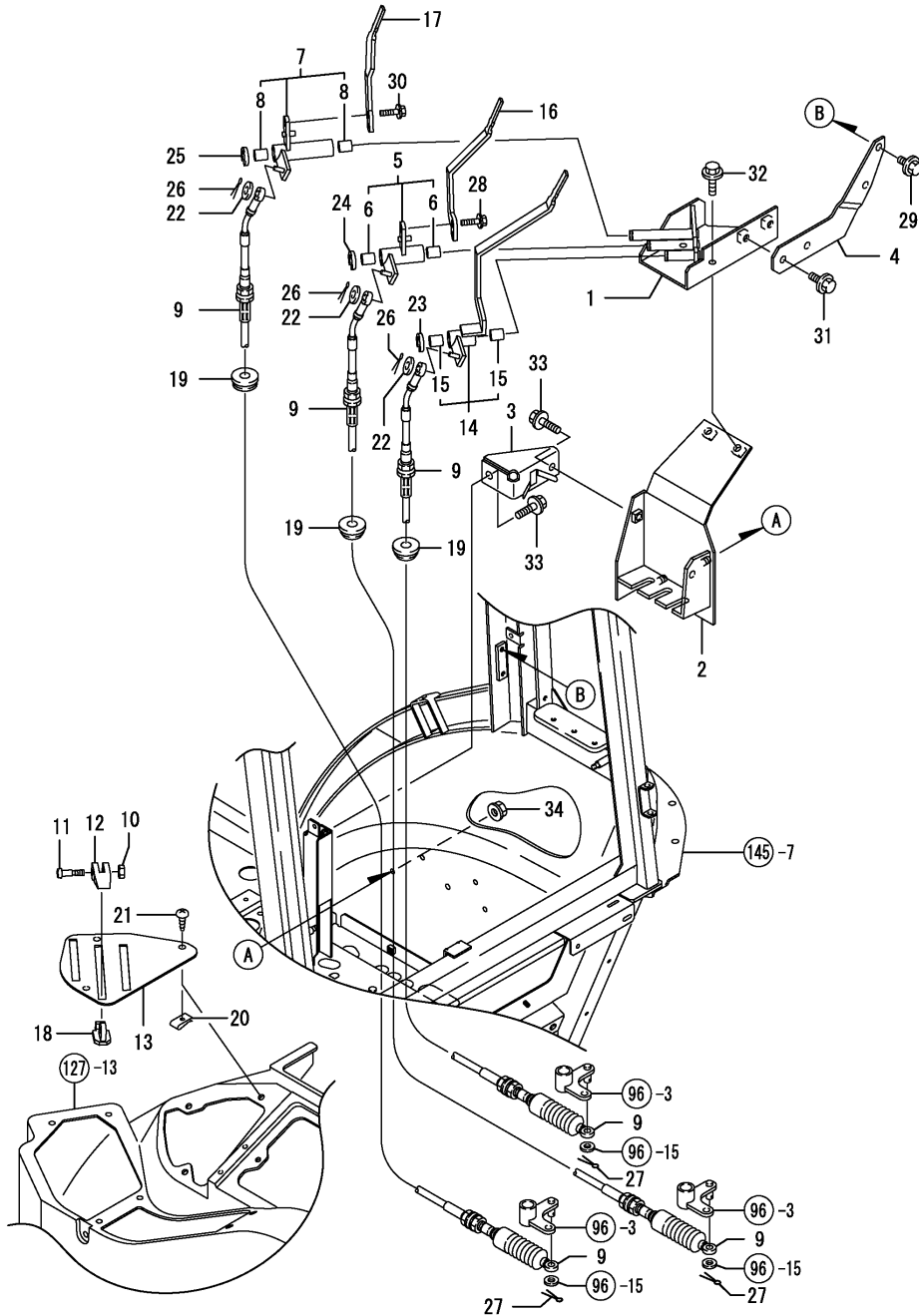
(B)=EG775-KPQ

(C)=EG782-KPQ

(D)=

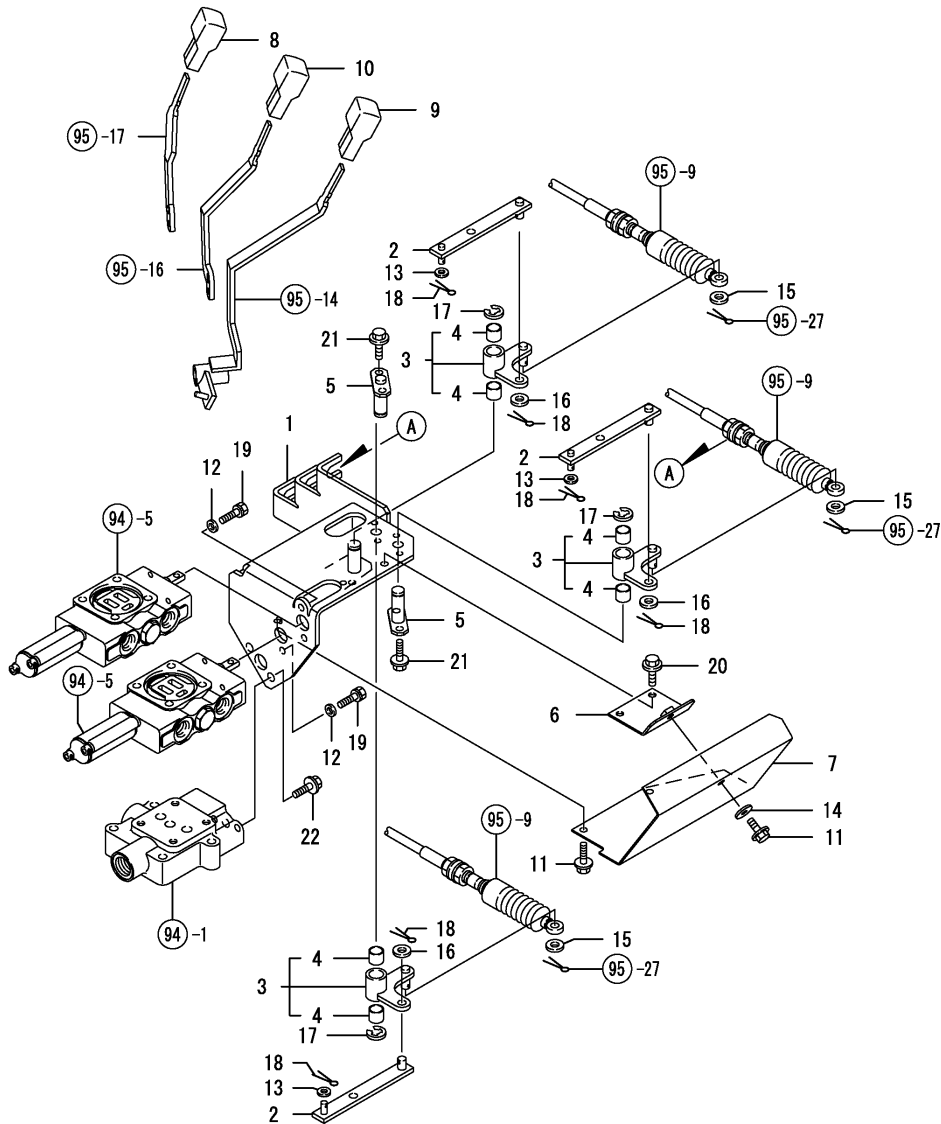
(E)=

(F)=



REF.	LEV.	PARTS NO.	DESCRIPTION	QTY						I	R
				(A)	(B)	(C)	(D)	(E)	(F)		
1	1	1A7450-46110	BRACKET, BASE	1	1	1					
2	1	1A7450-46171	BRACKET,SUPPORT SCV	1	1	1					
3	1	1A7450-46201	STAY,SUPPORT BRACKET	1	1	1					
4	1	1A7470-46330	STAY, SCV. SUPPORT	1	1	1					
5	1	1A7450-46390	LINK ASSY,SCV LEVER	1	1	1					
6	2	24550-012150	BUSH 12X15	2	2	2					
7	1	1A7450-46400	LINK ASSY,SCV LEVER	1	1	1					
8	2	24550-012150	BUSH 12X15	2	2	2					
9	1	1A7450-46510	CABLE, SCV.	3	3	3					
10	1	198268-46580	NUT, CAM LOCK	1	1	1					
11	1	198268-46600	BOLT, CAM LOCK	1	1	1					
12	1	198268-46610	FASTENER,QUARTERTURN	1	1	1					
13	1	1A7450-46690	PLATE, GUIDE	1	1	1					
14	1	1A7450-46700	LEVER ASSY, A SCV.	1	1	1					
15	2	24550-012150	BUSH 12X15	2	2	2					
16	1	1A7450-46750	LEVER, B SCV.	1	1	1					
17	1	1A7450-46760	LEVER, C SCV.	1	1	1					
18	1	1A7450-47400	BASE, CAM LOCK SCV.	1	1	1					
19	1	194275-51210	GROMMET 25	3	3	3					
20	1	194167-61650	NUT 5008	3	3	3					
21	1	194940-61790	SCREW 5X16	3	3	3					
22	1	22137-050000	WASHER 5, POLISHED	3	3	3					
23	1	22272-000090	CIRCLIP E- 9	1	1	1					
24	1	22272-000090	CIRCLIP E- 9	1	1	1					
25	1	22272-000090	CIRCLIP E- 9	1	1	1					
26	1	22417-120120	COTTER PIN 1.2X12	3	3	3					
27	1	22417-250200	COTTER PIN 2.5X20	3	3	3					
28	1	26106-080122	BOLT M 8X 12 PLATED	1	1	1					
29	1	26106-080122	BOLT M 8X 12 PLATED	2	2	2					
30	1	26106-080122	BOLT M 8X 12 PLATED	1	1	1					
31	1	26106-080162	BOLT M 8X 16 PLATED	2	2	2					
32	1	26106-080162	BOLT M 8X 16 PLATED	2	2	2					
33	1	26106-080162	BOLT M 8X 16 PLATED	2	2	2					
34	1	26366-080002	NUT M 8	2	2	2					

Fig.96. SCV. CONTROL(TRIPLE MAIN



(A)=EG765-KPQ
(B)=EG775-KPQ
(C)=EG782-KPQ

(D)=
(E)=
(F)=

REF.	LEV.	PARTS NO.	DESCRIPTION	Q'TY						I	R
				(A)	(B)	(C)	(D)	(E)	(F)		
1	1	1A7450-46230	STAY ASSY, LINK SCV.	1	1	1					
2	1	1A7450-46280	PLATE, LINK SCV	3	3	3					
3	1	1A7450-46450	LINK ASSY, SCV	3	3	3					
4	2	24550-012120	DRY BUSH 12X12	6	6	6					
5	1	1A7450-46470	PIN ASSY, SCV	2	2	2					
6	1	1A7450-46620	BRACKET ASSY	1	1	1					
7	1	1A7480-46650	COVER, SCV (M	1	1	1					
8	1	194940-47341	KNOB, POSITION LEVER	1	1	1					
9	1	1A7480-47410	KNOB, SCV LEVER	1	1	1					
10	1	1A7480-47420	KNOB, SCV LEVER	1	1	1					
11	1	198196-83170	BOLT, 6X16	3	3	3					
12	1	22137-060000	WASHER 6, POLISHED	4	4	4					
13	1	22190-060003	SEAL WASER 6	3	3	3					
13-1	1	22190-060002	SEAL WASER 6	3	3	3					R
(A=*2009.05.) (B=*2009.05.) (C=*2009.05.)											
14	1	22190-060003	SEAL WASER 6	1	1	1					
15	1	22190-080003	SEAL WASER 8	3	3	3					
16	1	22190-080003	SEAL WASER 8	3	3	3					
17	1	22272-000090	CIRCLIP E- 9	3	3	3					
18	1	22417-250200	COTTER PIN 2.5X20	6	6	6					
19	1	26013-060162	BOLT M 6X 16	4	4	4					
20	1	26106-060122	BOLT M 6X 12 PLATED	2	2	2					
21	1	26106-060122	BOLT M 6X 12 PLATED	2	2	2					
22	1	26106-080162	BOLT M 8X 16 PLATED	2	2	2					

Fig.97. HYDRAULIC CONTROL(CABIN FLOOR

(A)=EG765-KPQ

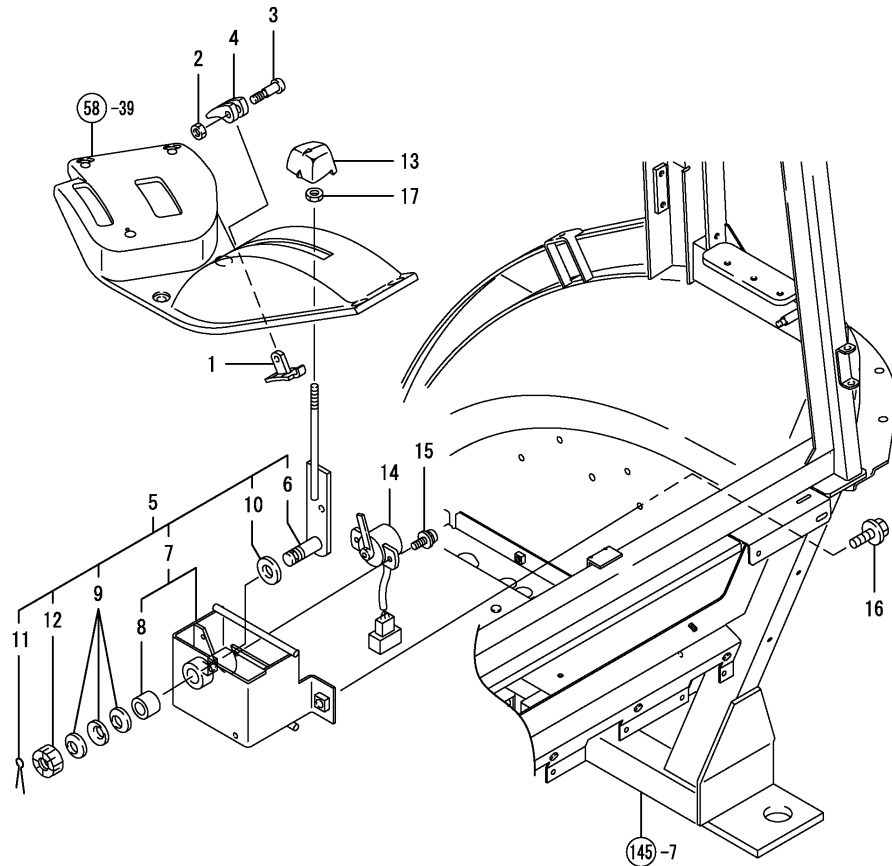
(B)=EG775-KPQ

(C)=EG782-KPQ

(D)=

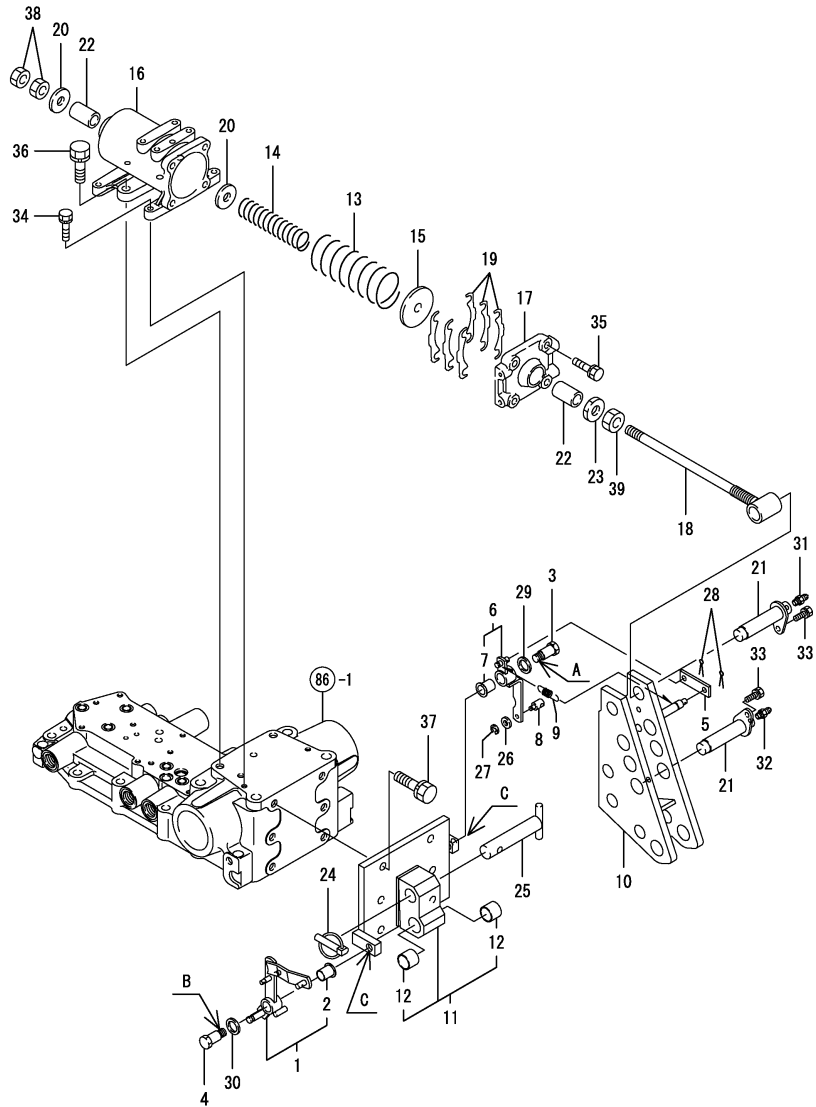
(E)=

(F)=



REF.	LEV.	PARTS NO.	DESCRIPTION	QTY						I	R	
				(A)	(B)	(C)	(D)	(E)	(F)			
1	1	198268-46552	BASE, CAM LOCK P	1	1	1						
2	1	198268-46580	NUT, CAM LOCK	1	1	1						
3	1	198268-46600	BOLT, CAM LOCK	1	1	1						
4	1	198268-46610	FASTENER,QUARTERTURN	1	1	1						
5	1	1A7480-47300	LEVER UNIT,POSITION	1	1	1						
6	2	1A7480-47310	LEVER,POSITION	1	1	1						
7	2	1A7480-47390	SUPPORT ASSY,LEVER	1	1	1						
8	3	24550-012150	BUSH 12X15	1	1	1						
9	2	194151-47760	WASHER 12	3	3	3						
10	2	194310-47790	PLATE, FRICTION	1	1	1						
11	2	22417-250250	COTTER PIN 2.5X25	1	1	1						
12	2	26877-120002	CASTLE NUT M12	1	1	1						
13	1	198268-47451	KNOB,LEVER	1	1	1						
14	1	198290-78550	SENSOR,POSITION	1	1	1						
15	1	26023-040162	SCREW M 4X 16	2	2	2						
16	1	26106-080162	BOLT M 8X 16 PLATED	2	2	2						
17	1	26756-060002	LOCK NUT 6	1	1	1						

Fig.98. DRAFT AND AUTO



Remarks

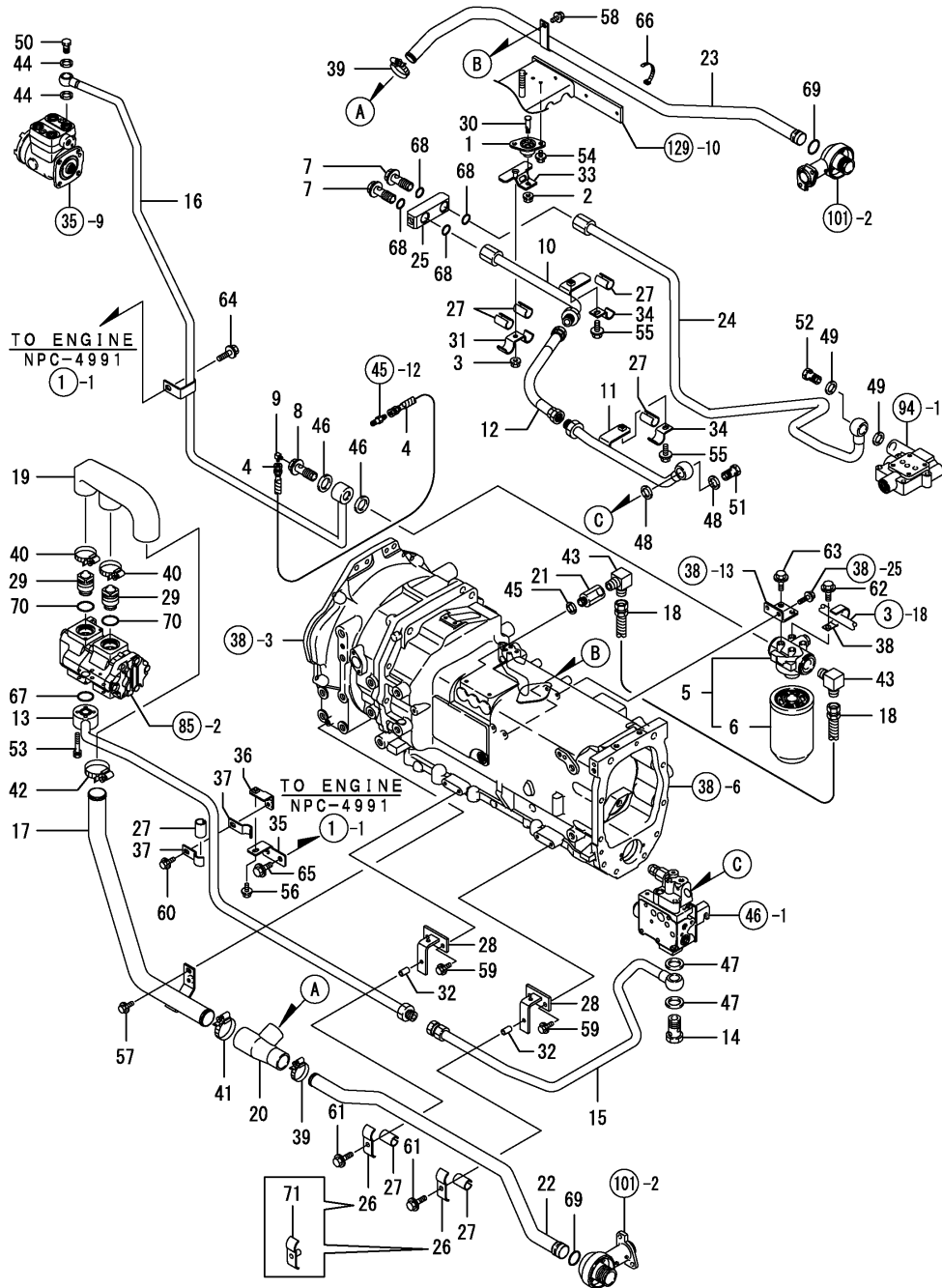
- (1) A= REF.NO.3 M12 P1.5
- A= REF.NO.3-1 M12 P1.25
- (1) B= REF.NO.4 M12 P1.5
- B= REF.NO.4-1 M12 P1.25
- (1) C= REF.NO.10 M12 P1.5
- C= REF.NO.10-1 M12 P1.25

(A)=EG765-KPQ
 (B)=EG775-KPQ
 (C)=EG782-KPQ

(D)=
 (E)=
 (F)=

REF.	LEV.	PARTS NO.	DESCRIPTION	Q'TY						I	R
				(A)	(B)	(C)	(D)	(E)	(F)		
1	1	1A7450-47101	LINK ASSY,FEEDBACK	1	1	1					
2	2	1A7450-47970	BUSH,17X15X21	1	1	1					
3	1	198448-47170	BOLT M12,STEPPED	1	1	1					
3-1	1	1A7640-47170	BOLT, 12	1	1	1					S 1
		(A=*2009.06.) (B=*2009.06.) (C=*2009.06.)									
4	1	198448-47170	BOLT M12,STEPPED	1	1	1					
4-1	1	1A7640-47170	BOLT, 12	1	1	1					S 2
		(A=*2009.06.) (B=*2009.06.) (C=*2009.06.)									
5	1	1A7450-47190	PLATE, S	1	1	1					
6	1	1A7450-47200	LINK ASSY,FEEDBACK	1	1	1					
7	2	1A7450-47970	BUSH,17X15X21	1	1	1					
8	1	1A7450-47530	PIN,FEEDBACK	1	1	1					
9	1	1A7450-47540	SPRING,D	1	1	1					
10	1	1A7450-47610	HINGE, TOP LINK	1	1	1					
11	1	1A7450-47700	SUPPORT,CMP	1	1	1					
11-1	1	1A7450-47701	SUPPORT,CMP	1	1	1					S 3
		(A=*2009.06.) (B=*2009.06.) (C=*2009.06.)									
12	2	24550-022200	BUSH	2	2	2					
13	1	1A7450-47710	SPRING,DRAFT OUT	1	1	1					
14	1	1A7450-47720	SPRING, DRAFT IN	1	1	1					
15	1	1A7450-47770	SPACER, SPRING	1	1	1					
16	1	1A7450-47791	HOLDER,SENSOR SPRING	1	1	1					
17	1	1A7450-47800	COVER, SRING HOLDER	1	1	1					
18	1	1A7450-47810	SHAFT,D	1	1	1					
19	1	194065-47830	SHIM	6	6	6					
20	1	1A7450-47840	SPACER,SPRING	2	2	2					
21	1	198448-47850	HINGE PIN	2	2	2					
22	1	1A7450-47850	COLLER,25X16.5	2	2	2					
23	1	1A7450-47890	NUT,D SHAFT	1	1	1					
24	1	794130-71410	PIN ASSY,BALL SOCKET	1	1	1					
25	1	1A7450-72411	PIN ASSY,LIFT LINK	1	1	1					
26	1	22137-060000	WASHER 6, POLISHED	1	1	1					
27	1	22272-000050	CIRCLIP E- 5	1	1	1					
28	1	22417-200200	COTTER PIN 2.0X20	2	2	2					
29	1	23414-150019	GASKET	1	1	1					
30	1	23414-150019	GASKET	1	1	1					
31	1	24761-010000	NIPPLE M6F, GREASE	1	1	1					
32	1	24761-010000	NIPPLE M6F, GREASE	1	1	1					
33	1	26013-080162	BOLT W/WASHER M8X16	2	2	2					
34	1	26013-080302	BOLT M 8X 30	2	2	2					
35	1	26013-100352	BOLT M10X 35	4	4	4					
36	1	26013-120352	BOLT M12X 35	2	2	2					
37	1	26013-120402	BOLT M12X 40	6	6	6					
38	1	26776-140002	LOCK NUT M14 PLATED	2	2	2					
39	1	26776-160002	LOCK NUT M16 PLATED	1	1	1					

Fig.99. HYDRAULIC LINE A



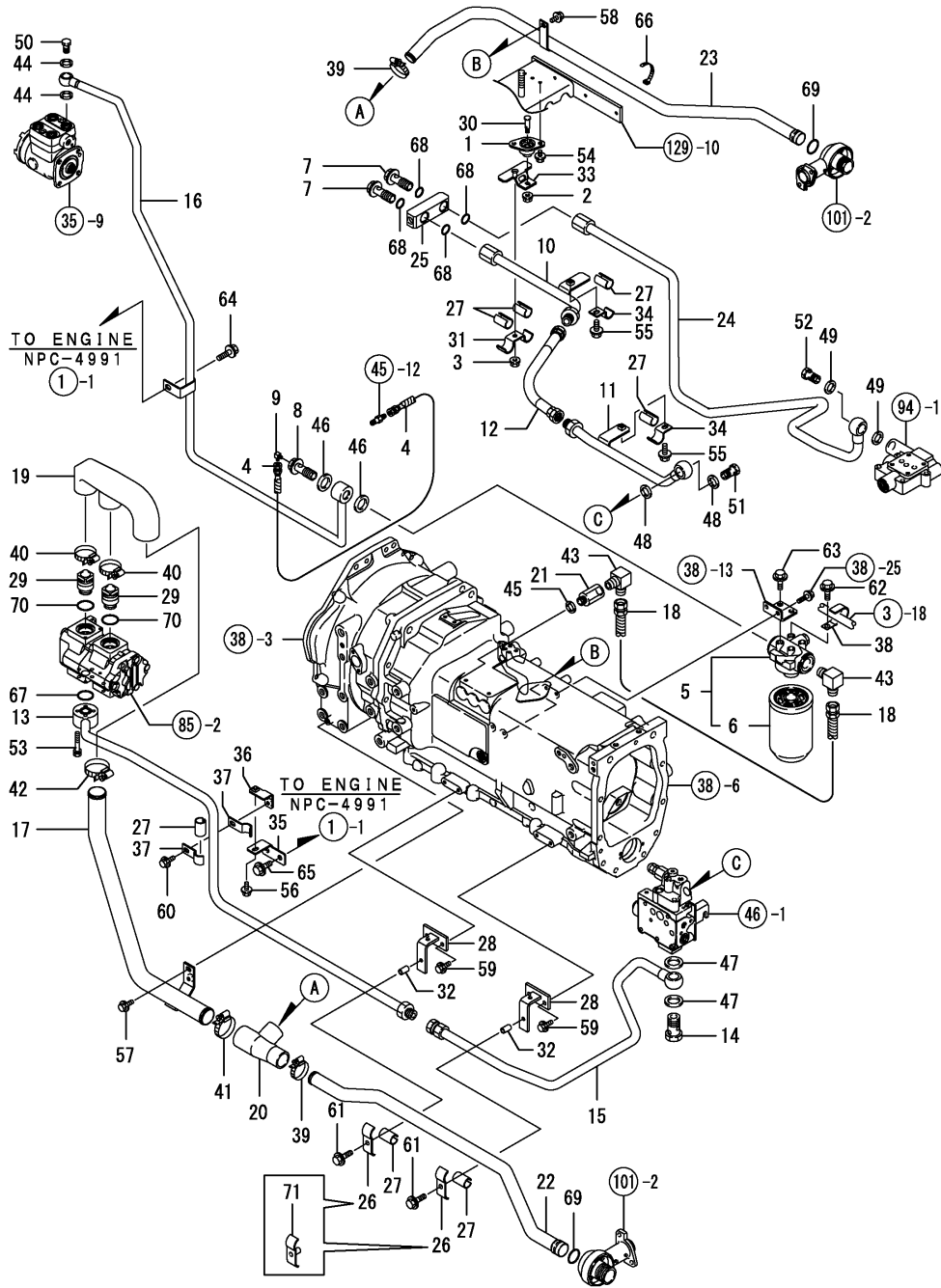
(A)=EG765-KPQ
(B)=EG775-KPQ
(C)=EG782-KPQ

(D)=
(E)=
(F)=

REF.	LEV.	PARTS NO.	DESCRIPTION	QTY						I	R
				(A)	(B)	(C)	(D)	(E)	(F)		
1	1	174501-11150	DAMPER	1	1	1					
2	1	194990-22140	NUT W/WASHER 8	1	1	1					
3	1	194990-22140	NUT W/WASHER 8	1	1	1					
4	1	1A7480-24530	HOSE 800	1	1	1					
5	1	174841-29350	FILTER ASSY, OIL	1	1	1					
6	2	198129-29310	FILTER	1	1	1					
7	1	198138-29990	BOLT, JOINT PF1/2	2	2	2					
8	1	1A7480-29990	BOLT, JOINT PF1/2	1	1	1					
9	1	194065-38350	ADAPTER 1/8	1	1	1					
10	1	1A7450-48040	LINE ASSY,PRESSURE	1	1	1					
11	1	1A7450-48070	LINE ASSY,PRESSURE	1	1	1					
12	1	1A7450-48100	HOSE,HYDRAULIC	1	1	1					
13	1	1A7450-48111	LINE ASSY,PRESSURE	1	1	1					
14	1	198448-48140	BOLT, PIPE JOINT	1	1	1					
15	1	1A7450-48150	LINE ASSY,PRESSURE	1	1	1					
16	1	1A7480-48250	LINE ASSY,PRESSURE	1	1	1					
17	1	1A7450-48300	LINE ASSY,LOW PRESS	1	1	1					
18	1	1A7480-48330	HOSE,HYDRAULIC	1	1	1					
19	1	198448-48340	TUBE,LOW-PRES,RUBBER	1	1	1					
20	1	1A7450-48340	HOSE, LOW PRESSURE	1	1	1					
21	1	1A7480-48340	BOLT,M18XPT1/2	1	1	1					
22	1	1A7450-48350	LINE ASSY,LOW PRESS.	1	1	1					
23	1	1A7450-48380	LINE ASSY,LOW PRESS	1	1	1					
24	1	1A7450-48440	LINE ASSY,PRESSURE	1	1	1					
25	1	1A7450-48471	BLOCK ASSY, LOADER	1	1	1					
26	1	1A7450-48530	CLAMP	2	2	2					Z
		(A=*2009.04.) (B=*2009.04.) (C=*2009.04.)									
27	1	1A7450-48540	TUBE	7	7	7					
27-1	1	1A7450-48540	TUBE	2	2	2					K
		(A=*2009.04.) (B=*2009.04.) (C=*2009.04.)									
28	1	1A7450-48551	STAY	2	2	2					
29	1	198448-48570	JOINT,LOW-PRESS.PIPE	2	2	2					
30	1	1A7480-48610	BOLTS	1	1	1					
31	1	1A7450-48630	CLAMP	1	1	1					
32	1	1A7450-48660	SPACER	2	2	2					Z
		(A=*2009.04.) (B=*2009.04.) (C=*2009.04.)									
33	1	1A7480-48670	STAY	1	1	1					
34	1	1A7450-48730	CLAMP	2	2	2					
35	1	1A7450-49010	STAY, CLAMP A	1	1	1					
36	1	1A7450-49020	STAY, CLAMP B	1	1	1					
37	1	1A7450-49040	CLAMP	2	2	2					
38	1	198448-51450	CLAMP, HARNESS A	1	1	1					
39	1	23000-041000	CLAMP 41	2	2	2					
40	1	23000-041000	CLAMP 41	2	2	2					
41	1	23000-048000	CLAMP 48	1	1	1					
42	1	23000-048000	CLAMP 48	1	1	1					
43	1	23393-040000	JOINT 90RGI 1/2	2	2	2					
44	1	23414-180023	GASKET 18	2	2	2					
45	1	23414-180023	GASKET 18	1	1	1					
46	1	23414-210000	PACKING 21X 1,RD.	2	2	2					
47	1	23414-220029	GASKET 22	2	2	2					

N:Old $\frac{Yes}{No}$ New, Q:Old $\frac{No}{Yes}$ New, R:Old $\frac{Yes}{Yes}$ New, S:Old $\frac{No}{No}$ New, W:Add, Z:Discontinued, F:Interchangeable by set, K:Q'ty Change
 ++ CONTINUE ++
 (C)Copy Rights YANMAR CO.,LTD.

Fig.99. HYDRAULIC LINE A



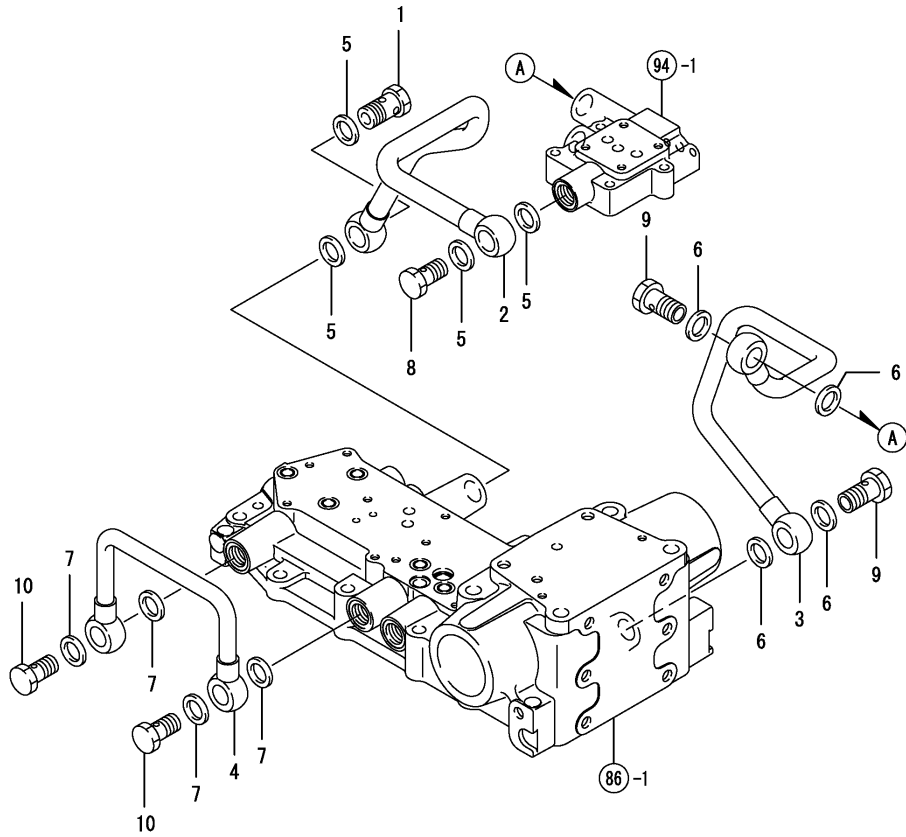
(A)=EG765-KPQ
(B)=EG775-KPQ
(C)=EG782-KPQ

(D)=
(E)=
(F)=

REF.	LEV.	PARTS NO.	DESCRIPTION	QTY						I	R
				(A)	(B)	(C)	(D)	(E)	(F)		
48	1	23414-220029	GASKET 22	2	2	2					
49	1	23414-220029	GASKET 22	2	2	2					
50	1	23857-120000	JOINT BOLT 12	1	1	1					
51	1	23857-180000	JOINT BOLT 18	1	1	1					
52	1	23857-180000	JOINT BOLT 18	1	1	1					
53	1	26013-060452	BOLT M 6X 45	4	4	4					
54	1	26106-080122	BOLT M 8X 12 PLATED	2	2	2					
55	1	26106-080162	BOLT M 8X 16 PLATED	2	2	2					
56	1	26106-080162	BOLT M 8X 16 PLATED	1	1	1					
57	1	26106-080162	BOLT M 8X 16 PLATED	1	1	1					
58	1	26106-080162	BOLT M 8X 16 PLATED	1	1	1					
59	1	26106-080162	BOLT M 8X 16 PLATED	4	4	4					
60	1	26106-080202	BOLT M 8X 20 PLATED	1	1	1					
61	1	26106-080352	BOLT M 8X 35 PLATED	2	2	2					
62	1	26106-100162	BOLT M10X 16 PLATED	1	1	1					
63	1	26106-100202	BOLT M10X 20 PLATED	2	2	2					
64	1	26106-100202	BOLT M10X 20 PLATED	1	1	1					
65	1	26106-100202	BOLT M10X 20 PLATED	2	2	2					
66	1	29622-140001	BAND 140	1	1	1					
67	1	41850-000220	PACKING, 22.0	1	1	1					
68	1	41850-000220	PACKING, 22.0	4	4	4					
69	1	41850-000260	PACKING, 26.0	2	2	2					
70	1	41856-020230	PACKING, 2023	2	2	2					
71	1	1A7450-48510	CLAMP(ASSY)	2	2	2					W

(A)=*2009.04.) (B)=*2009.04.) (C)=*2009.04.)

Fig.100. HYDRAULIC LINE B



0CNP4-G99000 100. HYDRAULIC LINE B

(A)=EG765-KPQ
(B)=EG775-KPQ
(C)=EG782-KPQ

(D)=
(E)=
(F)=

REF.	LEV.	PARTS NO.	DESCRIPTION	QTY						I	R
				(A)	(B)	(C)	(D)	(E)	(F)		
1	1	198448-48140	BOLT, PIPE JOINT	1	1	1					
2	1	1A7450-48180	LINE ASSY,PRESSURE	1	1	1					
3	1	1A7450-48490	LINE ASSY,PRESSURE	1	1	1					
4	1	1A7450-48571	LINE ASSY,PRESSURE	1	1	1					
5	1	23414-220029	GASKET 22	4	4	4					
6	1	23414-220029	GASKET 22	4	4	4					
7	1	23414-220029	GASKET 22	4	4	4					
8	1	23857-180000	JOINT BOLT 18	1	1	1					
9	1	23857-180000	JOINT BOLT 18	2	2	2					
10	1	23857-180000	JOINT BOLT 18	2	2	2					

Fig.101. HYDRAULIC FILTER

(A)=EG765-KPQ
(B)=EG775-KPQ
(C)=EG782-KPQ

(D)=
(E)=
(F)=

REF.	LEV.	PARTS NO.	DESCRIPTION	QTY						I	R
				(A)	(B)	(C)	(D)	(E)	(F)		
1	1	198535-48080	FILTER	2	2	2					
2	1	198071-48350	COVER, FILTER	2	2	2					
3	1	198448-48980	COVER, FILTER	2	2	2					
4	1	26106-080122	BOLT M 8X 12 PLATED	4	4	4					
5	1	26106-080202	BOLT M 8X 20 PLATED	4	4	4					
6	1	41850-000340	PACKING, 34.0	2	2	2					

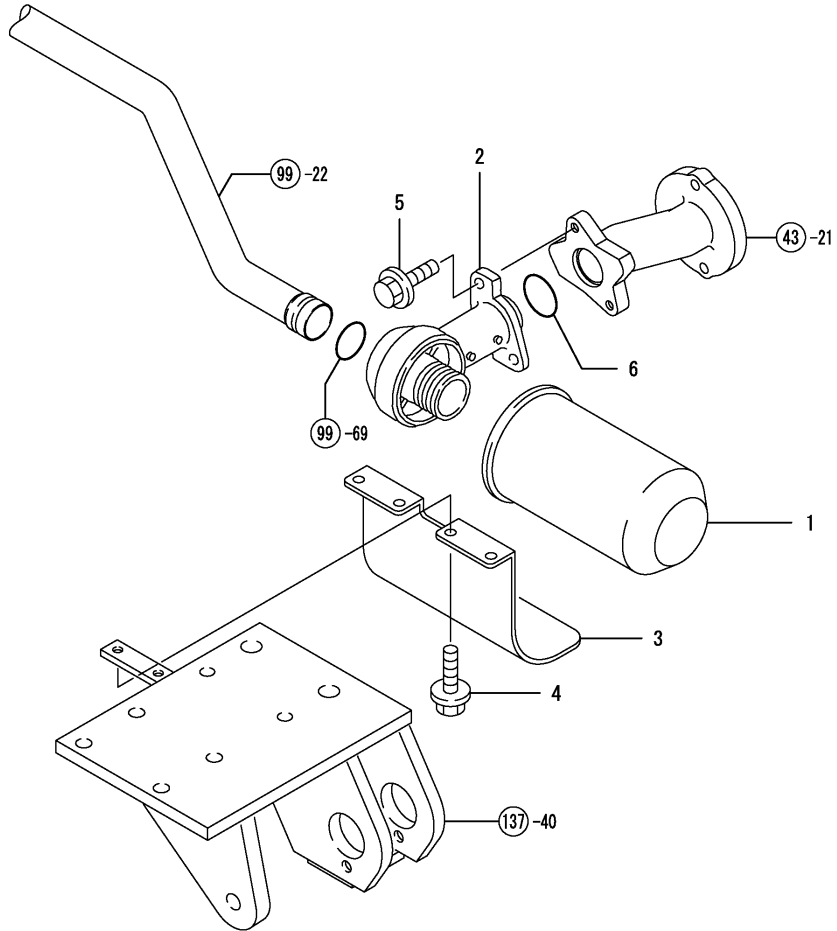
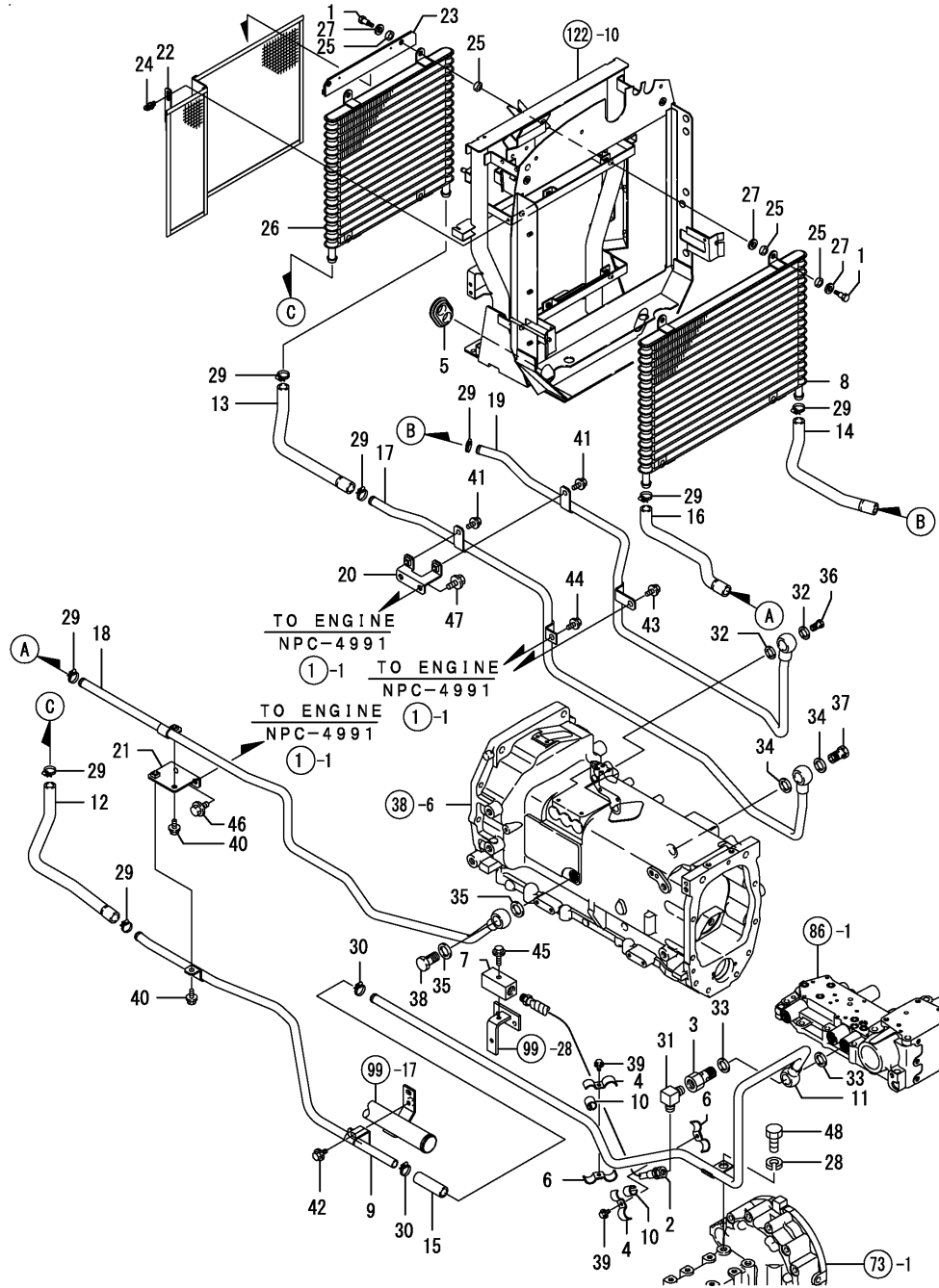


Fig.102. OIL COOLER



(A)=EG765-KPQ
(B)=EG775-KPQ
(C)=EG782-KPQ

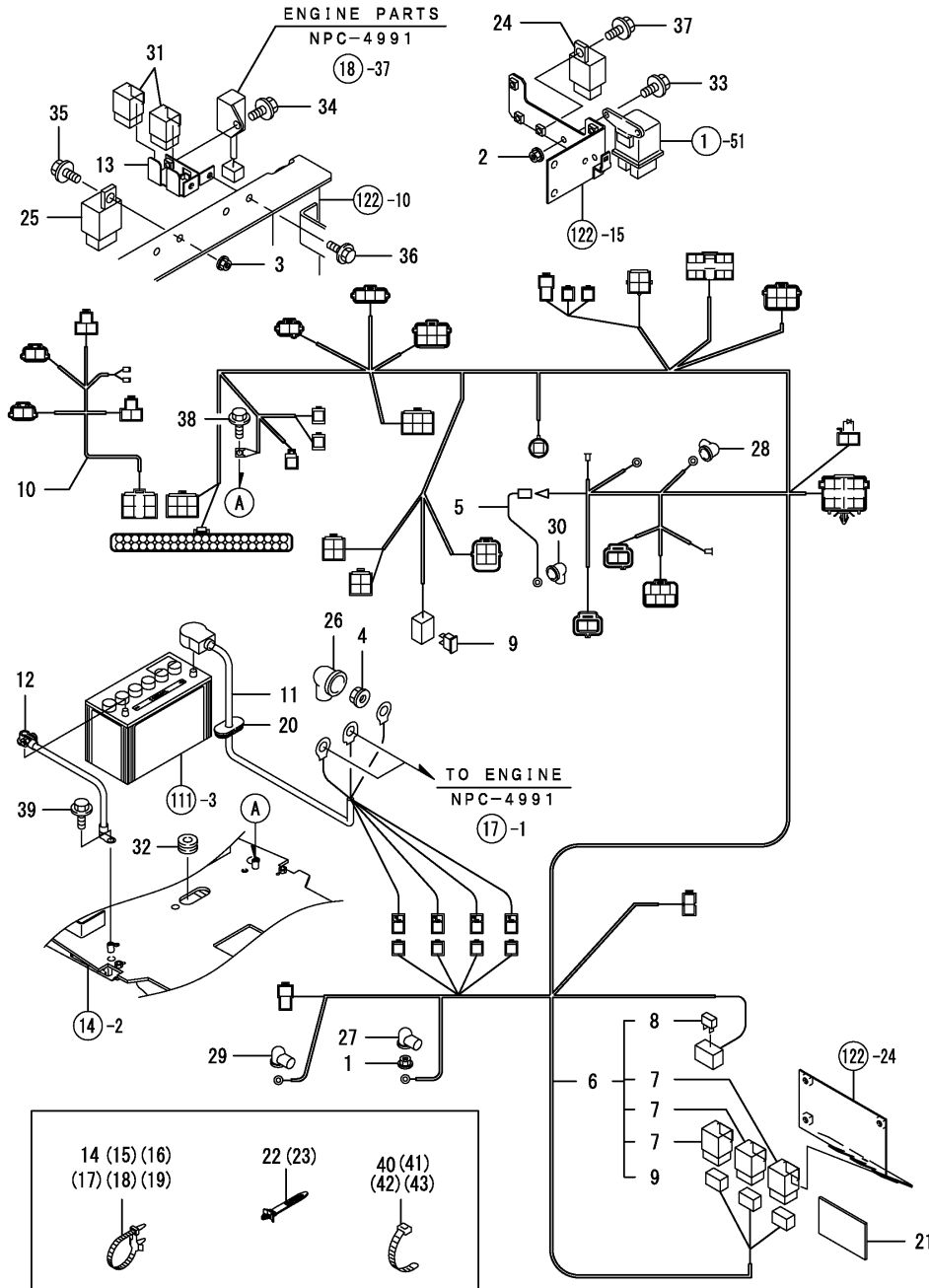
(D)=
(E)=
(F)=

REF.	LEV.	PARTS NO.	DESCRIPTION	QTY						I	R
				(A)	(B)	(C)	(D)	(E)	(F)		
1	1	198133-02120	BOLT M 6	8	8	8					
2	1	1A7450-48751	HOSE, HYDRAULIC	1	1	1					
3	1	1A7450-48760	BOLT, JOINT 22	1	1	1					
4	1	1A7450-48770	CLAMP	2	2	2					
5	1	1A7480-48770	GROMMET, HOSE	2	2	2					
6	1	1A7450-48780	CLAMP ASSY	2	2	2					
7	1	1A7450-48790	BLOCK, CAP	1	1	1					
8	1	198265-48810	COOLER ASSY, LUB OIL	1	1	1					
9	1	1A7480-48810	PIPE, OIL COOLER	1	1	1					
10	1	198240-48850	CUSSION	2	2	2					
11	1	1A7450-48850	LINE ASSY, LOW PRESS	1	1	1					
12	1	1A7480-48850	HOSE, LIFT IN	1	1	1					
13	1	1A7480-48870	HOSE, LIFT OUT	1	1	1					
14	1	1A7480-48880	HOSE, HST, IN	1	1	1					
15	1	1A7450-48891	HOSE, OIL COOLER	1	1	1					
16	1	1A7480-48890	HOSE, HST OUT	1	1	1					
17	1	1A7480-48920	OC PIPE, LIFT OUT	1	1	1					
18	1	1A7480-48950	OC PIPE, HST OUT	1	1	1					
19	1	1A7480-48960	PIPE, OIL COOLER	1	1	1					
20	1	1A7480-49050	STAY R	1	1	1					
21	1	1A7480-49070	STAY L	1	1	1					
22	1	1A7480-60830	SCREEN,	1	1	1					
23	1	1A7480-60930	RAIL, SCREEN	2	2	2					
24	1	198220-61351	LOCK COMP., CAM	1	1	1					
25	1	194420-62260	RUBBER, CUSHION	16	16	16					
26	1	172460-74820	COOLER ASSY, OIL	1	1	1					
27	1	22137-100000	WASHER 10, POLISHED	12	12	12					
28	1	22217-160000	SPRING WASHER 16	1	1	1					
29	1	23000-022000	CLAMP 22	8	8	8					
30	1	23000-022000	CLAMP 22	2	2	2					
31	1	23393-040000	JOINT 90RGI 1/2	1	1	1					
32	1	23414-180023	GASKET 18	2	2	2					
33	1	23414-220029	GASKET 22	2	2	2					
34	1	23414-220029	GASKET 22	2	2	2					
35	1	23414-220029	GASKET 22	2	2	2					
36	1	23857-120000	JOINT BOLT 12	1	1	1					
37	1	23857-180000	JOINT BOLT 18	1	1	1					
38	1	23857-180000	JOINT BOLT 18	1	1	1					
39	1	26106-060122	BOLT M 6X 12 PLATED	2	2	2					
40	1	26106-080162	BOLT M 8X 16 PLATED	2	2	2					
41	1	26106-080162	BOLT M 8X 16 PLATED	2	2	2					
42	1	26106-080162	BOLT M 8X 16 PLATED	1	1	1					
43	1	26106-080162	BOLT M 8X 16 PLATED	1	1	1					
44	1	26106-080162	BOLT M 8X 16 PLATED	1	1	1					
45	1	26106-080402	BOLT M 8X 40 PLATED	1	1	1					
46	1	26106-100202	BOLT M10X 20 PLATED	2	2	2					
47	1	26106-100202	BOLT M10X 20 PLATED	2	2	2					
48	1	26116-160302	BOLT M16X 30 PLATED	1	1	1					

Fig.103. WIRE HARNESS(COMMON A

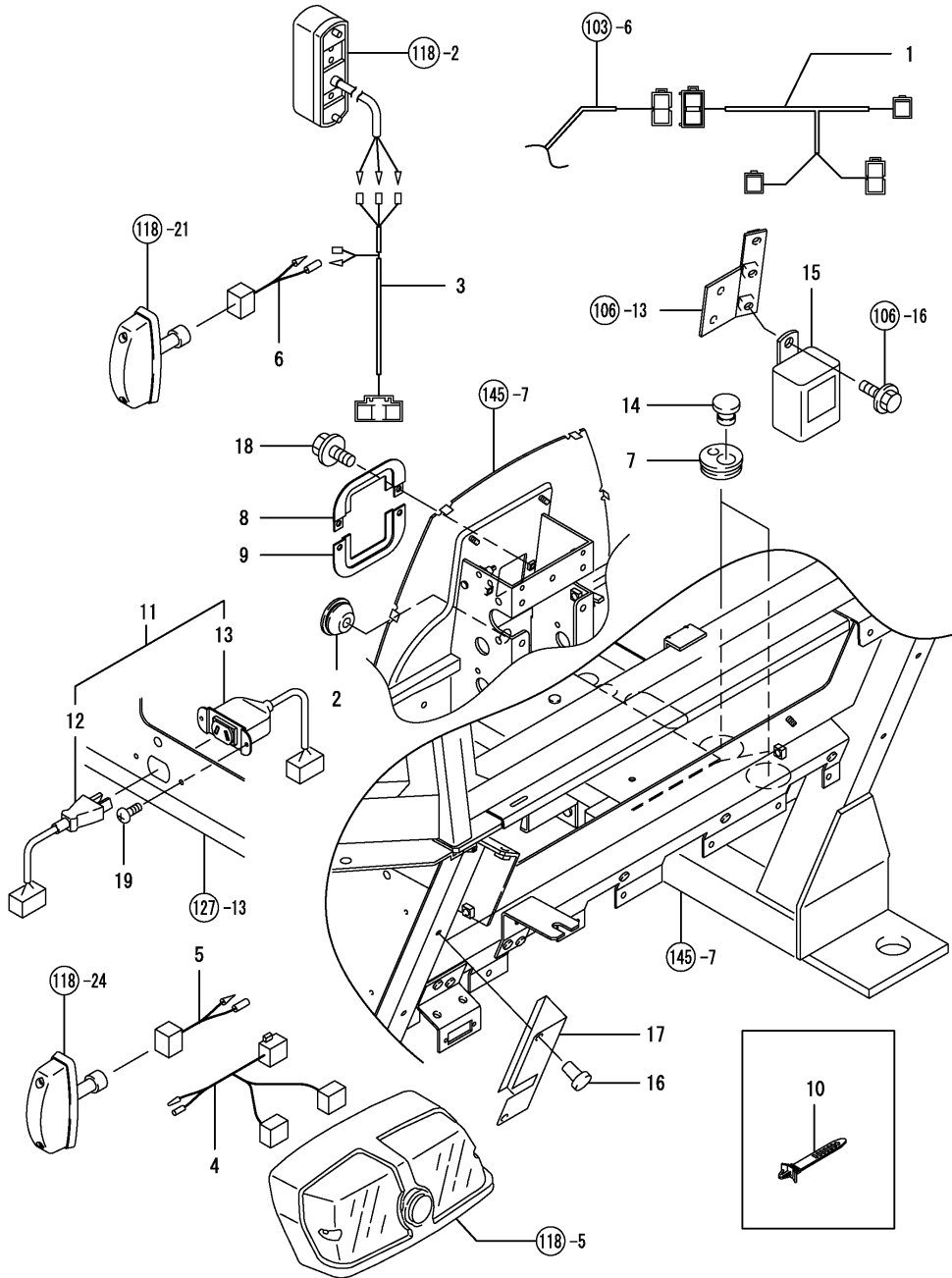
(A)=EG765-KPQ
(B)=EG775-KPQ
(C)=EG782-KPQ

(D)=
(E)=
(F)=



REF.	LEV.	PARTS NO.	DESCRIPTION	QTY						I	R	
				(A)	(B)	(C)	(D)	(E)	(F)			
1	1	194990-22130	NUT W/WASHER 6	1	1	1						
2	1	194990-22130	NUT W/WASHER 6	2	2	2						
3	1	194990-22130	NUT W/WASHER 6	1	1	1						
4	1	194990-22140	NUT W/WASHER 8	1	1	1						
5	1	1A7450-51090	CABLE,	1	1	1						
6	1	1A7450-51114	WIRING HARNESS, A	1	1	1						
7	2	198153-51700	BLOW 79A,SLOW CMP	3	3	3						
8	2	1A7000-52820	SLOW BLOW FUSE60A	1	1	1						
9	2	29420-150000	FUSE, 15A	1	1	1						
10	1	1A7450-51270	CABLE, HEADLIGHT	1	1	1						
11	1	1A7450-51350	CABLE ASSY, BATTERY	1	1	1						
12	1	1A7450-51421	CABLE, BATTERY	1	1	1						
13	1	1A7690-51550	STAY, RELAY	1	1	1						
14	1	194680-51670	BAND	2	2	2						
15	1	194680-51670	BAND	1	1	1						
16	1	194680-51670	BAND	2	2	2						
16-1	1	29622-250001	BAND	1	1	1					N	
(A=*2008.06.) (B=*2008.06.) (C=*2008.06.)												
17	1	194680-51670	BAND	1	1	1						
18	1	194680-51670	BAND	2	2	2						
19	1	194680-51670	BAND	2	2	2						
20	1	1A7450-51710	GROMMET, CABLE	1	1	1						
21	1	1A7500-51810	SEAL,WIRING HARNESS	1	1	1						
22	1	198448-51910	CLIP,BAND	2	2	2						
23	1	198448-51910	CLIP,BAND	1	1	1						
24	1	198220-52180	RELAY, STARTER	1	1	1						
25	1	198461-52950	RELAY CA,TYPE C	1	1	1						
26	1	124550-77030	COVER, TERMINAL	1	1	1						
27	1	124756-77040	COVER, TERMINAL	1	1	1						
28	1	124756-77040	COVER, TERMINAL	1	1	1						
29	1	124756-77040	COVER, TERMINAL	1	1	1						
30	1	124756-77040	COVER, TERMINAL	1	1	1						
31	1	1E6910-82500	RELAY CA-1A	2	2	2						
32	1	197830-85490	GROMMET 8,RUBBER	1	1	1						
33	1	26106-060162	BOLT M 6X 16 PLATED	2	2	2						
34	1	26106-060162	BOLT M 6X 16 PLATED	1	1	1						
35	1	26106-060162	BOLT M 6X 16 PLATED	1	1	1						
36	1	26106-060162	BOLT M 6X 16 PLATED	2	2	2						
37	1	26106-060162	BOLT M 6X 16 PLATED	1	1	1						
38	1	26106-080122	BOLT M 8X 12 PLATED	1	1	1						
39	1	26106-080162	BOLT M 8X 16 PLATED	1	1	1						
40	1	29622-140001	BAND 140	1	1	1						
41	1	29622-140001	BAND 140	3	3	3						
42	1	29622-250001	BAND RF 250	1	1	1						
43	1	29622-250001	BAND	1	1	1					W	
(A=*2008.06.) (B=*2008.06.) (C=*2008.06.)												

Fig.104. WIRE HARNESS(COMMON B

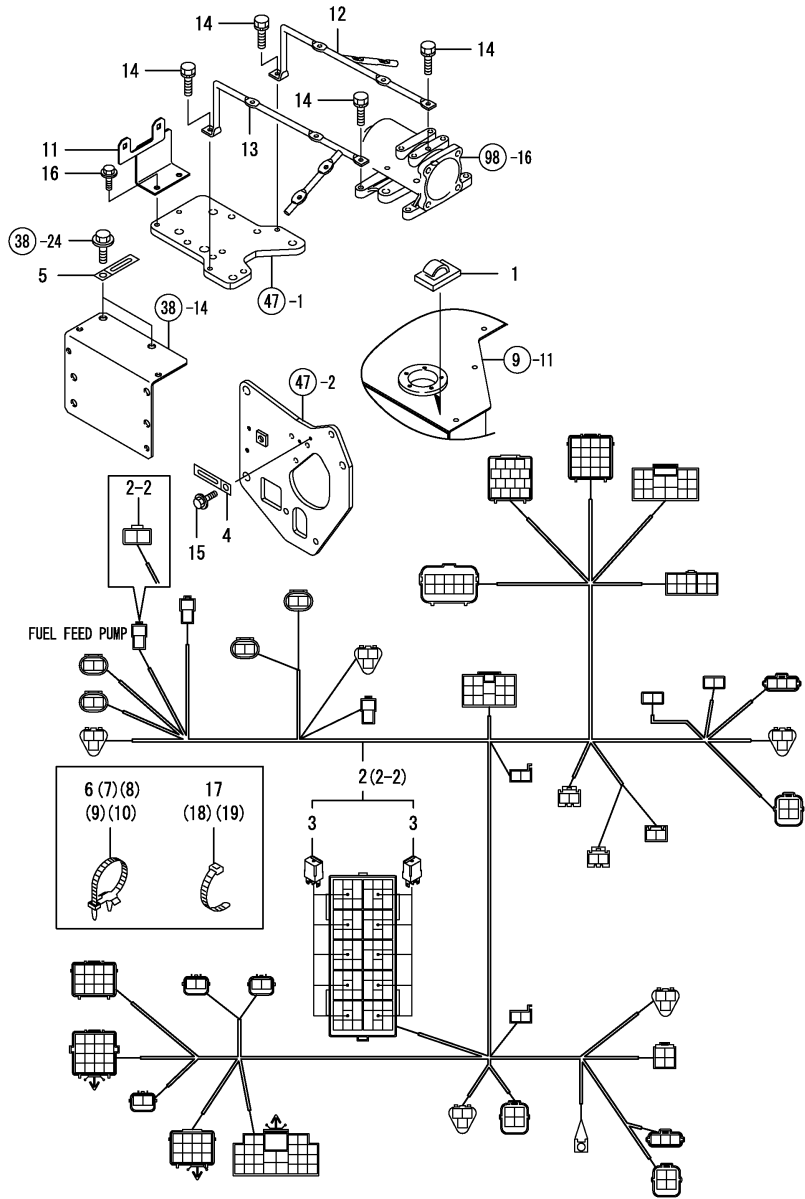


(A)=EG765-KPQ
(B)=EG775-KPQ
(C)=EG782-KPQ

(D)=
(E)=
(F)=

REF.	LEV.	PARTS NO.	DESCRIPTION	QTY						I	R
				(A)	(B)	(C)	(D)	(E)	(F)		
1	1	1A7450-51200	WIRING HARNESS,	1	1	1					
2	1	194275-51210	GROMMET 25	1	1	1					
3	1	1A7470-51220	CABLE,FLASHER	2	2	2					
4	1	1A7950-51220	CABLE,FLASHER	2	2	2					
5	1	1A7890-51230	CABLE, SIDE FLASHER	2	2	2					
6	1	1A7890-51230	CABLE, SIDE FLASHER	2	2	2					
7	1	198448-51320	GROMMET, 50-W	2	2	2					
8	1	1A7000-51430	RETAINER,A GROMMET F	1	1	1					
9	1	1A7000-51440	RETAINER,B GROMMET F	1	1	1					
10	1	198448-51910	CLIP,BAND	4	4	4					
11	1	198153-52150	SOCKET,PLUG	1	1	1					
12	2	198153-51020	PLUG COMPL.	1	1	1					
13	2	198153-51040	OUTLET ASSY,	1	1	1					
14	1	194555-56890	GROMMET 15	2	2	2					
15	1	1A7890-57200	UNIT,FLASHER	1	1	1					
16	1	198010-85810	RIVET	4	4	4					
17	1	198463-86651	STAY, HARNESS REAR	2	2	2					
18	1	26106-060122	BOLT M 6X 12 PLATED	2	2	2					
19	1	26557-030162	SCREW M 3X 16	2	2	2					

Fig.105. WIRE HARNESS B



(A)=EG765-KPQ
(B)=EG775-KPQ
(C)=EG782-KPQ

(D)=
(E)=
(F)=

REF.	LEV.	PARTS NO.	DESCRIPTION	QTY						I	R
				(A)	(B)	(C)	(D)	(E)	(F)		
1	1	172010-07810	STICKER, WIRE	1	1	1					
2	1	1A7480-51120	WIRING HERNESS,B	1	1	1					
2-1	1	1A7480-51121	WIRING HERNESS,B	1	1	1					R 1
2-2	1	1A7480-51122	WIRING HERNESS,B	1	1	1					S
(A=*2008.02.) (B=*2008.02.) (C=*2008.02.) (A=F000499) (B=F000681) (C=F051049)											
3	2	1K1140-82500	RELAY(ACM13211M01	10	10	10					
4	1	194440-51620	CLAMP, WIRE HARNESS	1	1	1					
5	1	194440-51620	CLAMP, WIRE HARNESS	2	2	2					
6	1	194680-51670	BAND	4	4	4					
7	1	194680-51670	BAND	4	4	4					
8	1	194680-51670	BAND	2	2	2					
9	1	194680-51670	BAND	3	3	3					
10	1	194680-51670	BAND	1	1	1					
11	1	1A7480-58160	BRACKET,RELAY	1	1	1					
12	1	1A7480-58200	STAY,HARNESS	1	1	1					
13	1	1A7450-58211	STAY,HARNESS	1	1	1					
14	1	26013-080162	BOLT W/WASHER M8X16	4	4	4					
15	1	26106-060122	BOLT M 6X 12 PLATED	1	1	1					
16	1	26106-080162	BOLT M 8X 16 PLATED	2	2	2					
17	1	29622-140001	BAND 140	1	1	1					
18	1	29622-140001	BAND 140	1	1	1					
19	1	29622-250001	BAND RF 250	3	3	3					

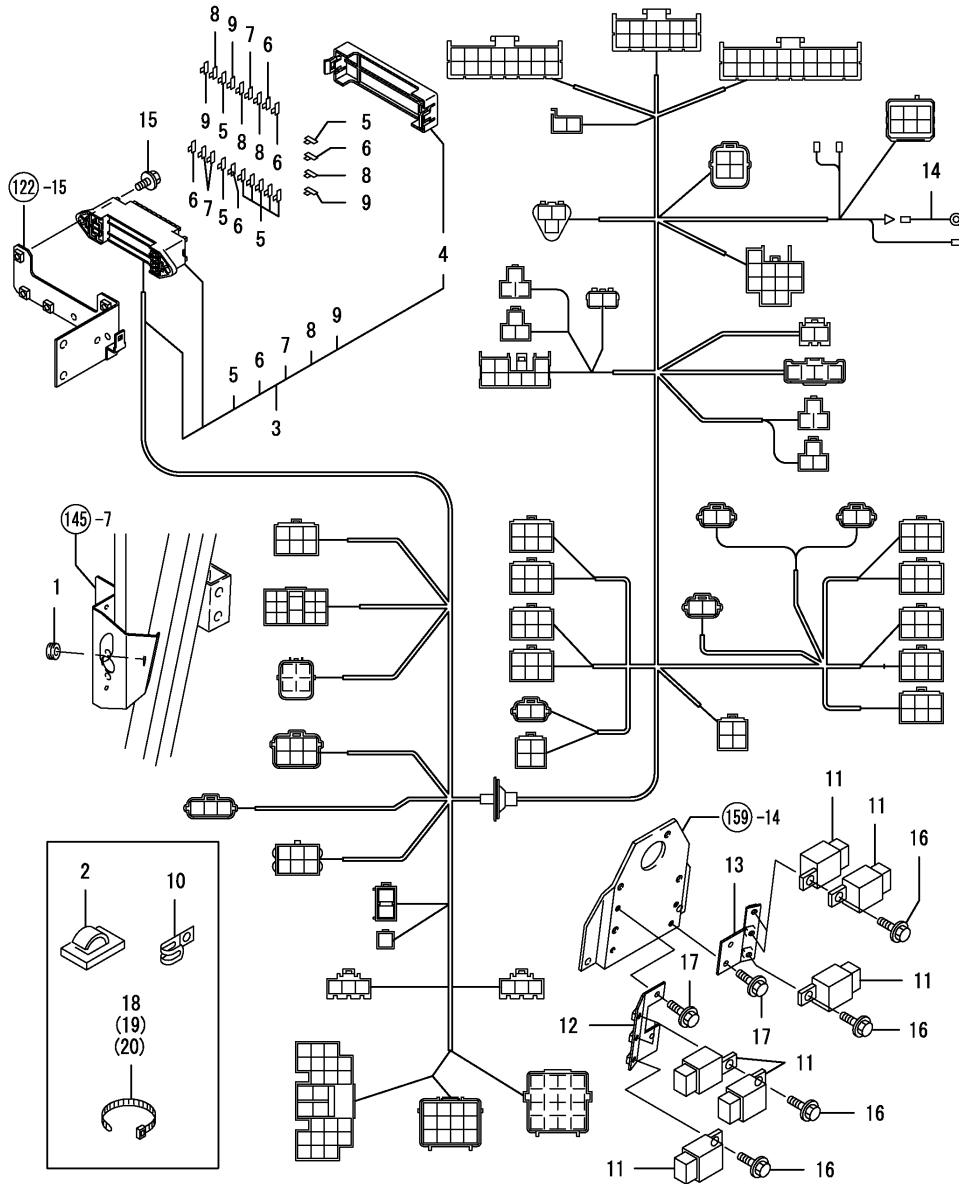
Remarks

(1) THERE IS AN ASSISTANT ARTICLE
AND REFERS TO FIG.171

Fig.106. WIRE HARNESS F

(A)=EG765-KPQ
(B)=EG775-KPQ
(C)=EG782-KPQ

(D)=
(E)=
(F)=



REF.	LEV.	PARTS NO.	DESCRIPTION	QTY						I	R
				(A)	(B)	(C)	(D)	(E)	(F)		
1	1	1E8050-05510	GROMMET 12X3,SLITTED	2	2	2					
2	1	172010-07810	STICKER, WIRE	1	1	1					
3	1	1A7480-51160	WIRING HERNESS,F	1	1	1					
4	2	198535-52410	COVER, FUSE BOX	1	1	1					
5	2	198535-52110	FUSE	8	8	8					
6	2	198535-52120	FUSE 10A	5	5	5					
7	2	198535-52130	FUSE 15A	3	3	3					
8	2	198535-52140	FUSE 20A	4	4	4					
9	2	1A7450-52180	FUSE, 25A	3	3	3					
10	1	194180-51640	CLAMP, WIRE HARNESS	3	3	3					
11	1	198461-52950	RELAY CA,TYPE C	10	10	10					
12	1	1A7470-58110	STAY L,RELAY	1	1	1					
13	1	1A7470-58150	STAY R,RELAY	1	1	1					
14	1	198093-86180	WIRE,WASHER LEAD	1	1	1					
15	1	26106-060162	BOLT M 6X 16 PLATED	2	2	2					
16	1	26106-060162	BOLT M 6X 16 PLATED	7	7	7					
17	1	26106-060162	BOLT M 6X 16 PLATED	4	4	4					
18	1	29622-250001	BAND RF 250	1	1	1					
19	1	29622-250001	BAND RF 250	1	1	1					
20	1	29622-250001	BAND RF 250	1	1	1					

Fig.107. WIRE HARNESS(NO R. PTO)

(A)=EG765-KPQ
 (B)=EG775-KPQ
 (C)=EG782-KPQ

(D)=
 (E)=
 (F)=

REF.	LEV.	PARTS NO.	DESCRIPTION	Q'TY						I	R
				(A)	(B)	(C)	(D)	(E)	(F)		
1	1	1A7450-51220	CABLE,NO R.PTO	1	1	1					

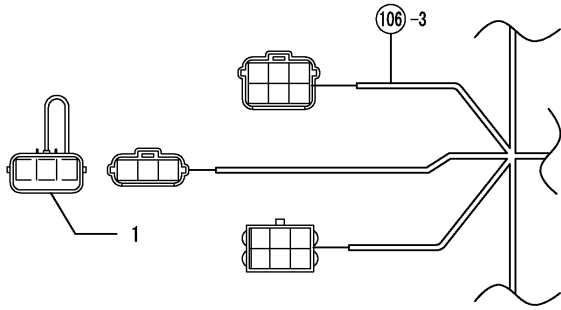


Fig.108. WIRE HARNESS(NO G. PTO)

(A)=EG765-KPQ
 (B)=EG775-KPQ
 (C)=EG782-KPQ

(D)=
 (E)=
 (F)=

REF.	LEV.	PARTS NO.	DESCRIPTION	Q'TY						I	R
				(A)	(B)	(C)	(D)	(E)	(F)		
1	1	1A7450-51230	CABLE,G.PTO	1	1	1					

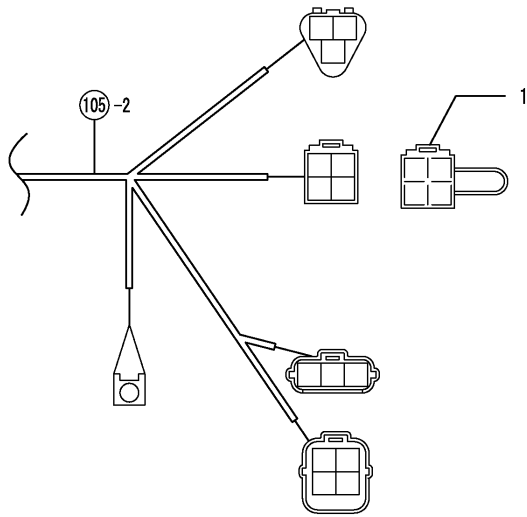
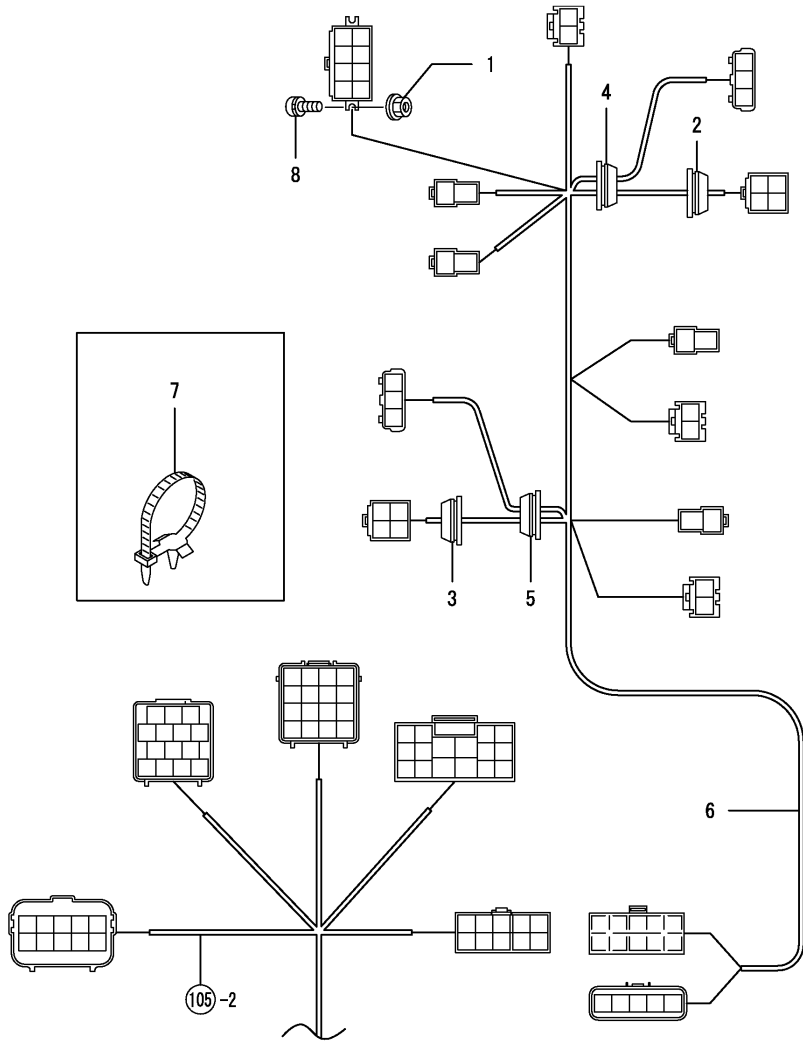


Fig.109. WIRE HARNESS(FLOOR

(A)=EG765-KPQ
 (B)=EG775-KPQ
 (C)=EG782-KPQ

(D)=
 (E)=
 (F)=



REF.	LEV.	PARTS NO.	DESCRIPTION	QTY						I	R
				(A)	(B)	(C)	(D)	(E)	(F)		
1	1	194990-22110	NUT, M4	2	2	2					
2	1	198245-51210	GROMMET 25	1	1	1					
3	1	198245-51210	GROMMET 25	1	1	1					
4	1	198245-51210	GROMMET 25	1	1	1					
5	1	198245-51210	GROMMET 25	1	1	1					
6	1	1A7450-51240	WIRING HARNESS,	1	1	1					
7	1	194680-51670	BAND	4	4	4					
8	1	26022-040122	SCREW M 4X 12	2	2	2					

Fig.110. WIRE HARNESS(CABIN)

(A)=EG765-KPQ
 (B)=EG775-KPQ
 (C)=EG782-KPQ

(D)=
 (E)=
 (F)=

REF.	LEV.	PARTS NO.	DESCRIPTION	Q'TY						I	R
				(A)	(B)	(C)	(D)	(E)	(F)		
1	1	172010-07810	STICKER, WIRE	2	2	2					
2	1	172010-07810	STICKER, WIRE	2	2	2					
3	1	194170-51210	GROMMET 25	2	2	2					
4	1	1A7470-51210	WIRING HARNESS, CAB	1	1	1					
5	1	1A7470-51280	CABLE, WORK LAMP	1	1	1					
6	1	198268-51290	CABLE, WORK LAMP	2	2	2					
7	1	1A7470-51380	CABLE, ROOM LAMP	1	1	1					
8	1	194242-51660	CLAMP, WIRE HARNESS	2	2	2					
9	1	198461-52950	RELAY CA,TYPE C	1	1	1					
10	1	194680-78350	STICKER 18,WIRE	1	1	1					
11	1	26106-060162	BOLT M 6X 16 PLATED	1	1	1					
12	1	29622-140001	BAND 140	2	2	2					
13	1	29622-250001	BAND RF 250	2	2	2					

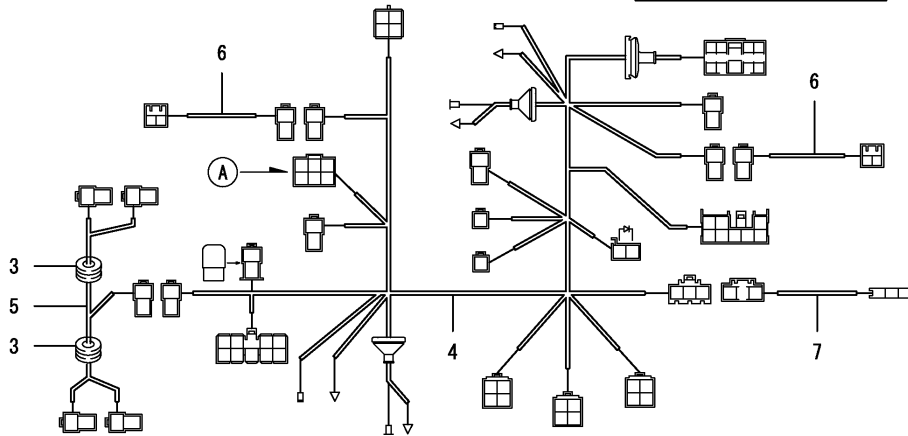
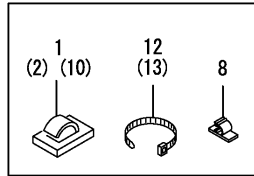
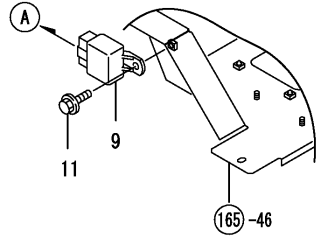


Fig.112. COUPLER STAY

(A)=EG765-KPQ
 (B)=EG775-KPQ
 (C)=EG782-KPQ

(D)=
 (E)=
 (F)=

REF.	LEV.	PARTS NO.	DESCRIPTION	QTY						I	R
				(A)	(B)	(C)	(D)	(E)	(F)		
1	1	1A7450-51930	STAY, DIN COUPLER	1	1	1					
2	1	26107-080162	BOLT M 8X 16 PLATED	2	2	2					

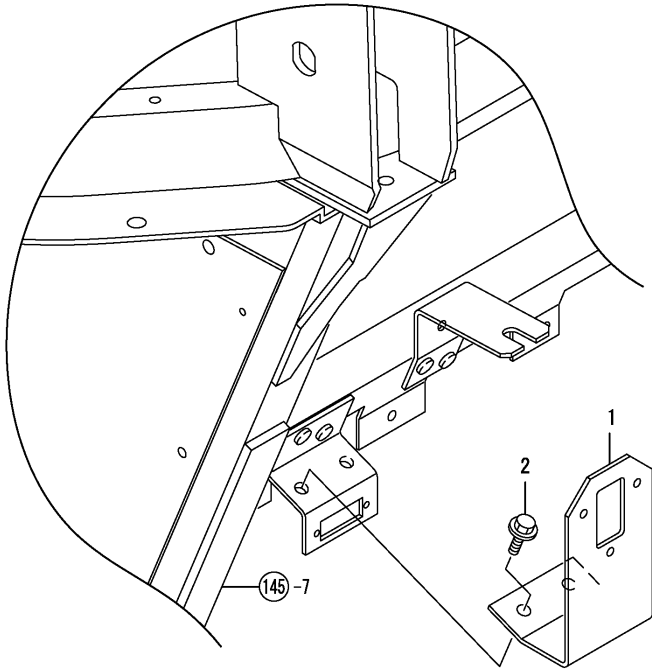
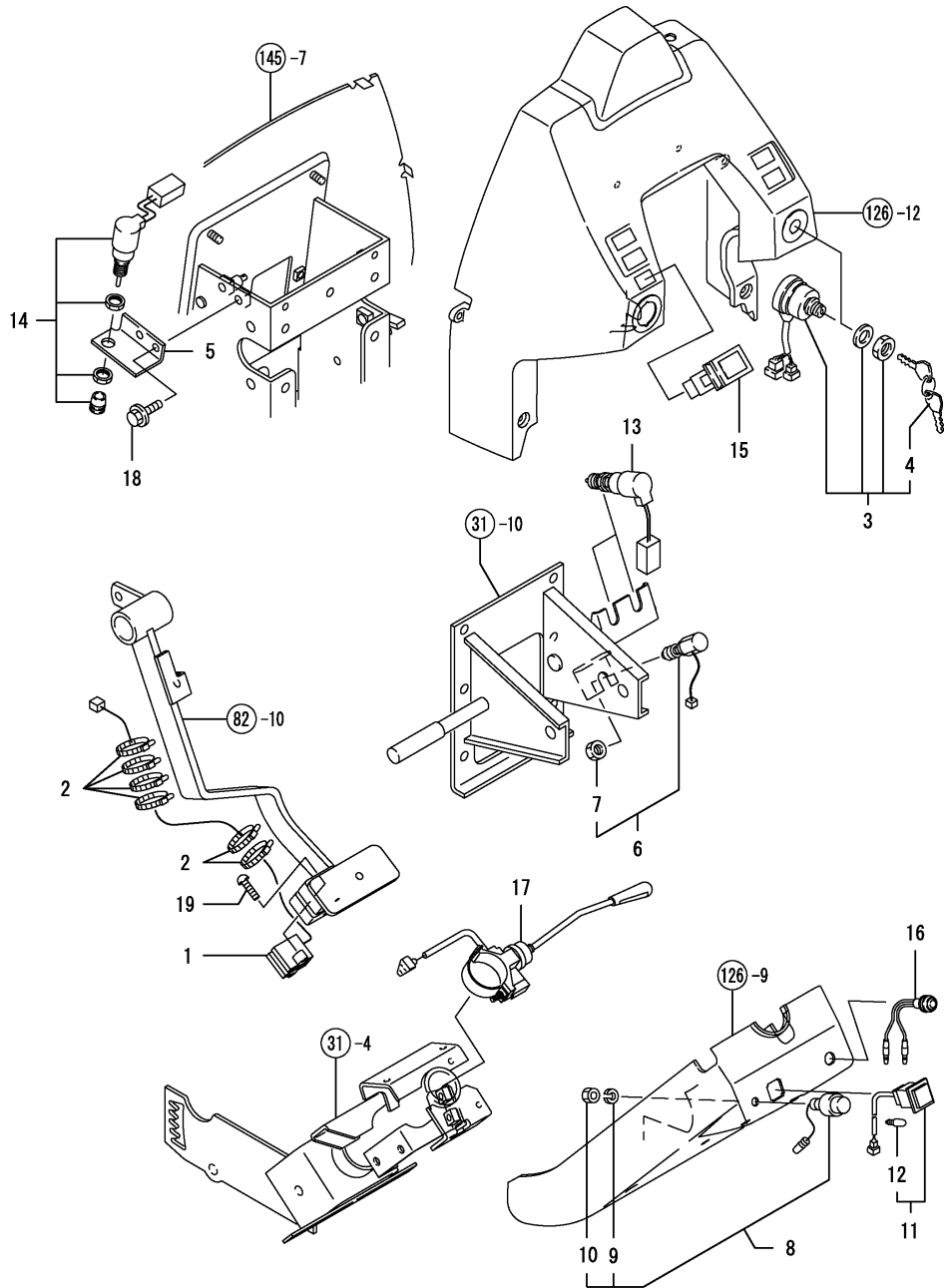


Fig.113. SWITCH(CABIN FLOOR)



(A)=EG765-KPQ
(B)=EG775-KPQ
(C)=EG782-KPQ

(D)=
(E)=
(F)=

REF.	LEV.	PARTS NO.	DESCRIPTION	QTY						I	R
				(A)	(B)	(C)	(D)	(E)	(F)		
1	1	1C6900-07200	SWITCH,COUPLING	1	1	1					
2	1	198153-51810	BAND 150,NYLON	6	6	6					
3	1	1A7450-52110	SWITCT ASSY,START	1	1	1					
4	2	1A7450-52130	KEY ASSY	1	1	1					
5	1	1A7480-52110	STAY,CLUTCH SWITCH	1	1	1					
6	1	198223-52150	SWITCH,BRAKE LAMP	1	1	1					
7	2	26776-120002	LOCK NUT M12 PLATED	1	1	1					
8	1	194150-52160	SWITCH, HORN	1	1	1					
9	2	22217-080000	SPRING WASHER 8	1	1	1					
10	2	26736-080002	NUT 8	1	1	1					
11	1	1A7450-52210	SWITCH ASSY,	1	1	1					
12	2	1A7450-52230	BULB, WITH SOCKET	1	1	1					
13	1	1A7600-52222	SWITCH, RANGE SHIFT	2	2	2					
13-1	1	1A7600-52223	SWITCH, RANGE SHIFT	2	2	2					N
(A=*2009.01.) (B=*2009.01.) (C=*2009.01.)											
14	1	1A7480-52250	SWITCH, CLUTCH	1	1	1					
15	1	1A7450-52450	SWITCH, HAZZARD	1	1	1					
16	1	1A7450-52580	SWITCH ASSY, PUSH	1	1	1					
17	1	1A7260-78610	SWITCH ASSY,	1	1	1					
18	1	26106-080162	BOLT M 8X 16 PLATED	2	2	2					
19	1	26557-050162	SCREW M 5X 16	2	2	2					

Fig.114. SWITCH(MAIN)

(A)=EG765-KPQ
 (B)=EG775-KPQ
 (C)=EG782-KPQ

(D)=
 (E)=
 (F)=

REF.	LEV.	PARTS NO.	DESCRIPTION	QTY						I	R
				(A)	(B)	(C)	(D)	(E)	(F)		
1	1	1A7260-18540	PLATE, SWITCH	1	1	1					
2	1	194990-22130	NUT W/WASHER 6	2	2	2					
3	1	194990-22130	NUT W/WASHER 6	2	2	2					
4	1	198269-52190	SWITCH	1	1	1					
5	1	198448-52250	SWITCH,P.T.O.LEVER	1	1	1					
6	1	1A7480-52510	SENSOR,ROTATION	2	2	2					
7	1	1A7480-58110	STAY,SWITCH	1	1	1					
8	1	198129-78710	SPACER, 6-10	2	2	2					
9	1	26106-060122	BOLT M 6X 12 PLATED	2	2	2					
10	1	26106-060162	BOLT M 6X 16 PLATED	2	2	2					
11	1	26776-180002	NUT M18,LOCK	1	1	1					

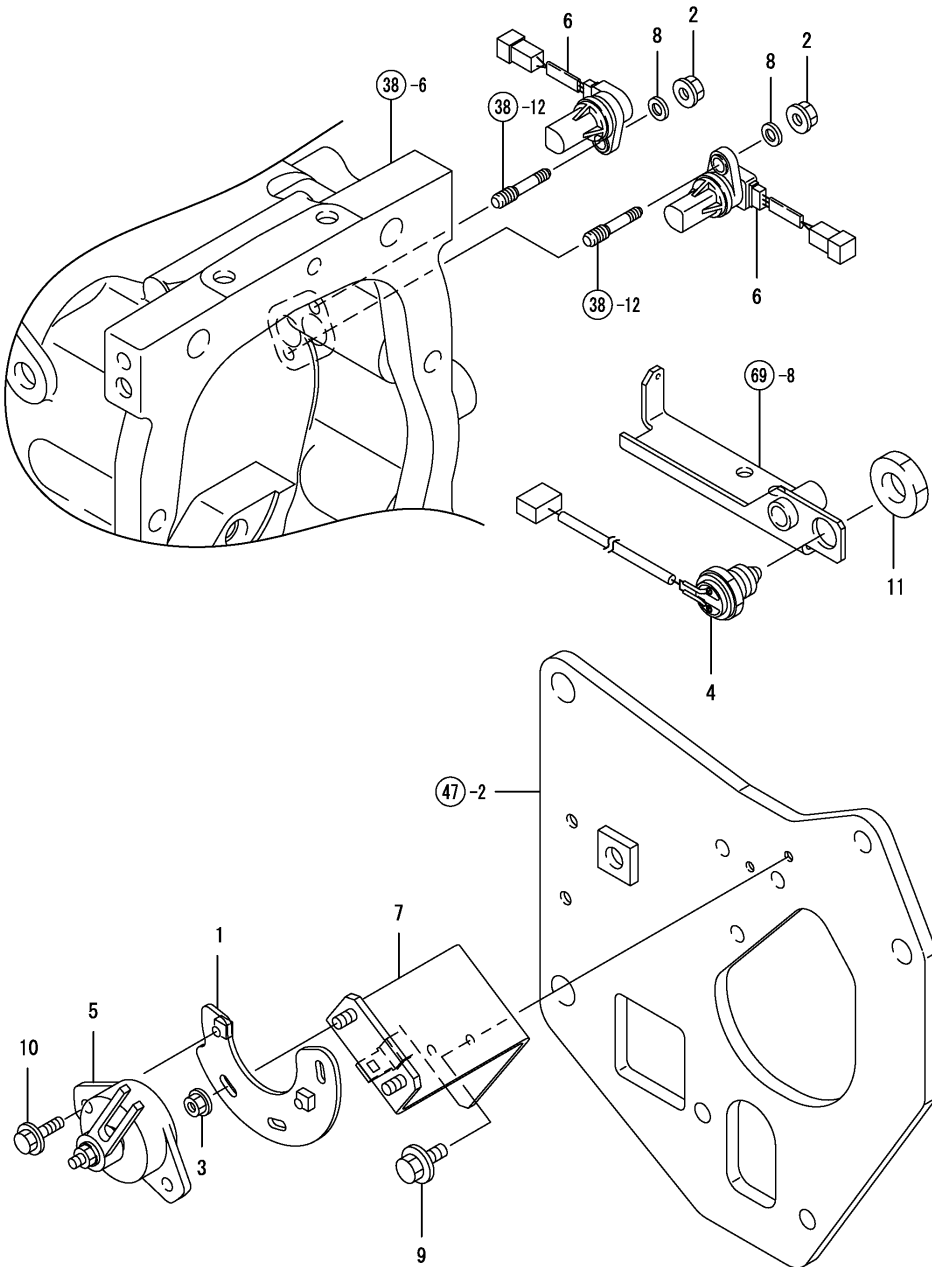


Fig.115. SWITCH(HI-GRIP)

(A)=EG765-KPQ
 (B)=EG775-KPQ
 (C)=EG782-KPQ

(D)=
 (E)=
 (F)=

REF.	LEV.	PARTS NO.	DESCRIPTION	Q'TY						I	R
				(A)	(B)	(C)	(D)	(E)	(F)		
1	1	1A7450-19100	COVER, SWITCH	1	1	1					
2	1	198133-52170	PIPE 13, CORRUGAT	1	1	1					
3	1	1A7260-52190	SWITCH, HI-GRIP	1	1	1					
4	1	24311-000180	O-RING 1A P-18.0	1	1	1					
5	1	26106-080162	BOLT M 8X 16 PLATED	2	2	2					

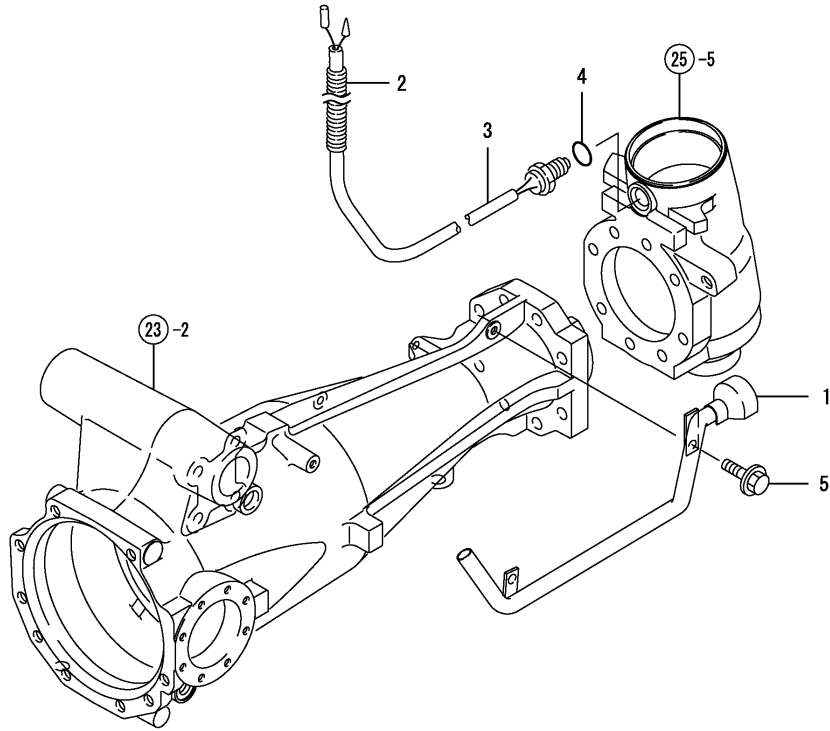


Fig.116. SWITCH(CABIN

(A)=EG765-KPQ
 (B)=EG775-KPQ
 (C)=EG782-KPQ

(D)=
 (E)=
 (F)=

REF.	LEV.	PARTS NO.	DESCRIPTION	Q'TY						I	R
				(A)	(B)	(C)	(D)	(E)	(F)		
1	1	1A7480-52130	STAY,SWTCH	1	1	1					
2	1	198448-52210	SWITCH,CMP LIGHTING	1	1	1					
3	1	26023-040102	SCREW M 4X 10	2	2	2					
4	1	26106-060122	BOLT M 6X 12 PLATED	2	2	2					

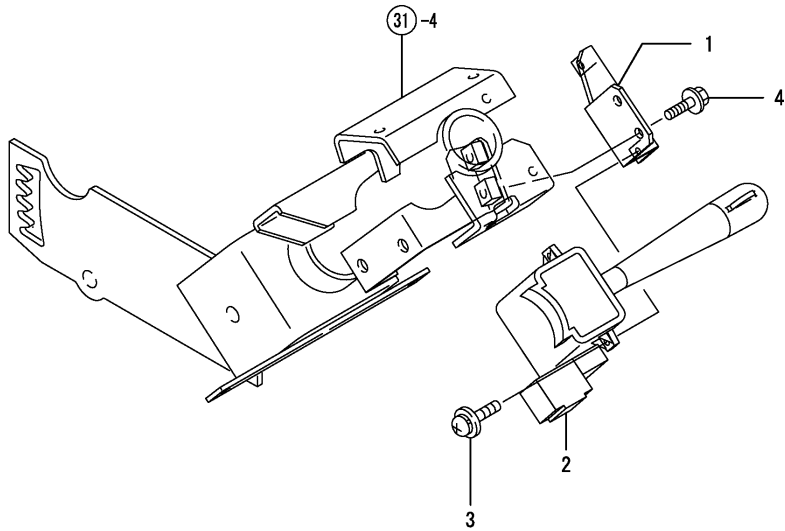
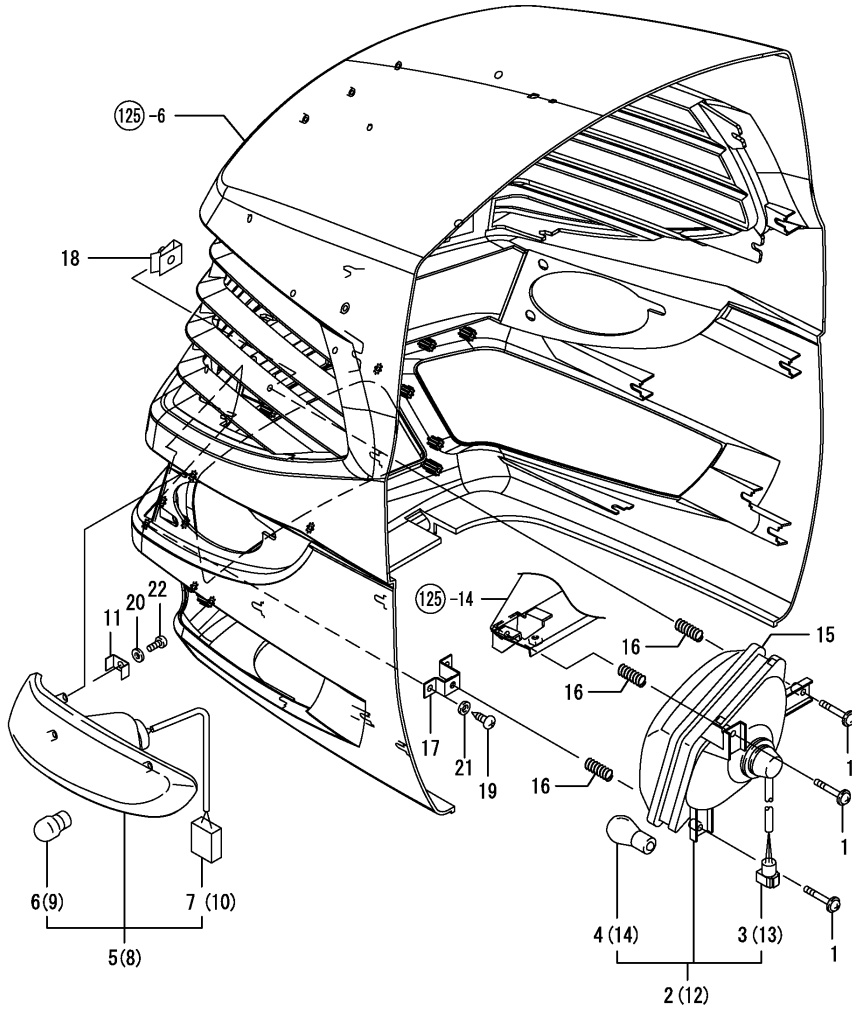


Fig.117. LAMP(MAIN)

(A)=EG765-KPQ
 (B)=EG775-KPQ
 (C)=EG782-KPQ

(D)=
 (E)=
 (F)=

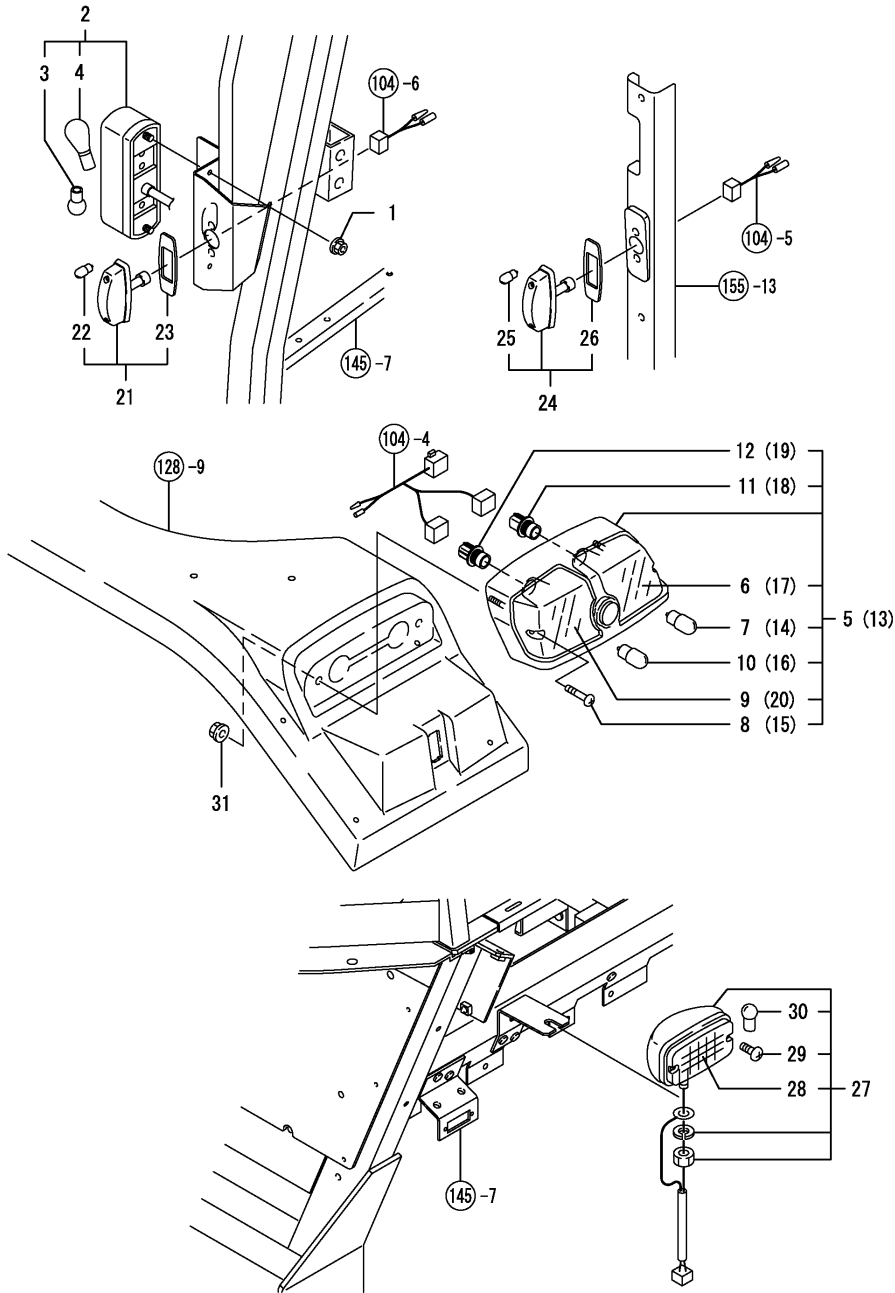


REF.	LEV.	PARTS NO.	DESCRIPTION	QTY						I	R
				(A)	(B)	(C)	(D)	(E)	(F)		
1	1	26557-060402	SCREW M 6X 40	6	6	6					
2	1	1A7450-53200	HEADLIGHT ASSY, L.H	1	1	1					
3	2	1A7450-53230	WIRE ASSY, LEAD	1	1	1					
4	2	198448-53320	BULB 12V45/45W	1	1	1					
5	1	1A7450-53252	SIDELIGHT ASSY, L	1	1	1					
6	2	1A7450-53370	BULB, 12V 21W	1	1	1					
7	2	1A7450-53380	WIRE ASSY, LEAD	1	1	1					
8	1	1A7450-53262	SIDELIGHT ASSY, R	1	1	1					
9	2	1A7450-53370	BULB, 12V 21W	1	1	1					
10	2	1A7450-53380	WIRE ASSY, LEAD	1	1	1					
11	1	1A7450-53290	BRACKET, SIDE LAMP	6	6	6					
12	1	1A7450-53300	HEADLIGHT ASSY, R.H.	1	1	1					
13	2	1A7450-53230	WIRE ASSY, LEAD	1	1	1					
14	2	198448-53320	BULB 12V45/45W	1	1	1					
15	1	1A7260-53350	SEAL, HEADLIGHT	2	2	2					
16	1	198153-53410	SPRING,ADJUST	6	6	6					
17	1	1A7450-61400	BRACKET ASSY,	2	2	2					
18	1	198071-61890	NUT 6,SPEED	2	2	2					
19	1	198071-78420	SCREW M5X10,TAPPING	4	4	4					
20	1	22137-060000	WASHER 6, POLISHED	6	6	6					
21	1	22137-060000	WASHER 6, POLISHED	4	4	4					
22	1	22857-600101	SCREW, 6.0 X 10	6	6	6					

Fig.118. LAMP(CABIN FLOOR)

(A)=EG765-KPQ
(B)=EG775-KPQ
(C)=EG782-KPQ

(D)=
(E)=
(F)=

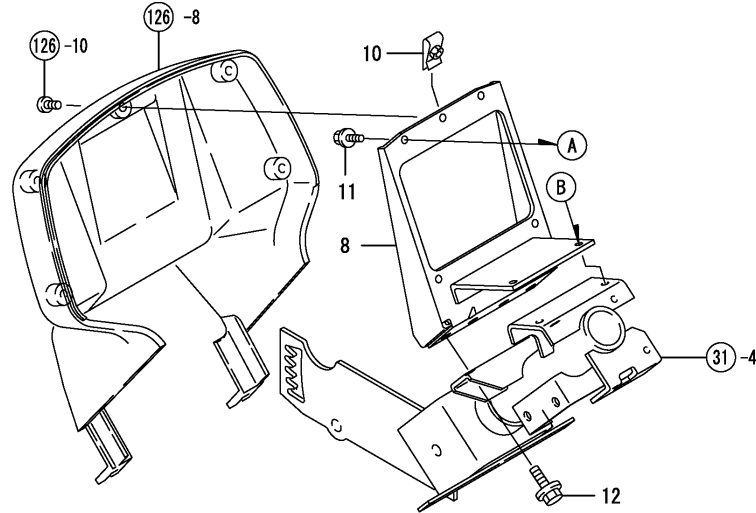
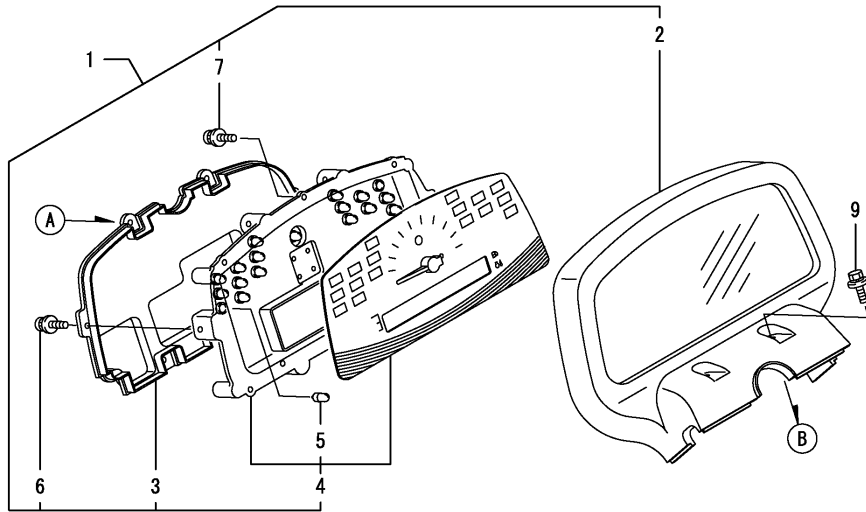


REF.	LEV.	PARTS NO.	DESCRIPTION	QTY						I	R
				(A)	(B)	(C)	(D)	(E)	(F)		
1	1	194990-22120	NUT, M5	4	4	4					
2	1	1A7890-53400	LAMP ASSY,URNSIGNAL	2	2	2					
3	2	198360-53630	BULB 12V-10W	2	2	2					
4	2	1E9170-81270	VALVE, 12V 21W	2	2	2					
5	1	1A7890-53600	LAMP ASSY,URNSIGNAL	1	1	1					
6	2	198071-53610	LENS L,AMBER	1	1	1					
7	2	1A7890-53630	BULB, 12V-21W	1	1	1					
8	2	198071-53660	SCREW M5X25,TAPPING	2	2	2					
9	2	198071-53670	LENS L,RED	1	1	1					
10	2	1A7890-53680	BULB, 12V-21/5W	1	1	1					
11	2	1A7890-53710	SOCKET	1	1	1					
12	2	1A7890-53720	SOCKET	1	1	1					
13	1	1A7890-53700	LAMP ASSY,URNSIGNAL	1	1	1					
14	2	1A7890-53630	BULB, 12V-21W	1	1	1					
15	2	198071-53660	SCREW M5X25,TAPPING	2	2	2					
16	2	1A7890-53680	BULB, 12V-21/5W	1	1	1					
17	2	198071-53710	LENS R,AMBER	1	1	1					
18	2	1A7890-53710	SOCKET	1	1	1					
19	2	1A7890-53720	SOCKET	1	1	1					
20	2	198071-53770	LENS R,RED	1	1	1					
21	1	1A7890-53810	LAMP,TURN SIGNAL SID	2	2	2					
22	2	1A7890-53820	BULB, 12V/3W	2	2	2					
23	2	1A7890-53840	PACKING, REAR COVER	2	2	2					
24	1	1A7890-53810	LAMP,TURN SIGNAL SID	2	2	2					
25	2	1A7890-53820	BULB, 12V/3W	1	1	1					
26	2	1A7890-53840	PACKING, REAR COVER	1	1	1					
27	1	198535-54500	LAMP ASSY, BUCK	1	1	1					
28	2	1A7020-54510	LENS	1	1	1					
29	2	1A7020-54540	SCREW,	2	2	2					
30	2	1A7020-54560	BULB 12V-15W	1	1	1					
31	1	194990-22140	NUT W/WASHER 8	4	4	4					

Fig.119. METER

(A)=EG765-KPQ
(B)=EG775-KPQ
(C)=EG782-KPQ

(D)=
(E)=
(F)=



REF.	LEV.	PARTS NO.	DESCRIPTION	QTY						I	R
				(A)	(B)	(C)	(D)	(E)	(F)		
1	1	1A7480-56030	METER ASSY,	1	1	1					
2	2	1A7450-56170	HOUSING, UPPER	1	1	1					
3	2	1A7450-56180	COVER,	1	1	1					
4	2	1A7480-56200	TACHOMETER ASSY,	1	1	1					
5	3	198448-56150	LAMP 14V/1.4W, SOCKET	18	18	18					
6	2	129574-91580	SCREW 4X16	2	2	2					
7	2	129574-91580	SCREW 4X16	6	6	6					
8	1	198448-56050	BRACKET, COMBINAT.M.	1	1	1					
8-1	1	198448-56051	BRACKET, COMBINAT.M.	1	1	1					N
		(A=FXXXXX) (B=FXXXXX) (C=FXXXXX)									
8-2	1	1A6380-56050	BRACKET ASSY, METER	1	1	1					R
		(A=FXXXXX) (B=FXXXXX) (C=FXXXXX)									
9	1	198461-60590	BOLT 6* 20	2	2	2					
10	1	194167-61650	NUT 5008	1	1	1					
11	1	26106-060122	BOLT M 6X 12 PLATED	4	4	4					
12	1	26106-080162	BOLT M 8X 16 PLATED	2	2	2					

Fig.120. HORN

(A)=EG765-KPQ
 (B)=EG775-KPQ
 (C)=EG782-KPQ

(D)=
 (E)=
 (F)=

REF.	LEV.	PARTS NO.	DESCRIPTION	QTY						I	R
				(A)	(B)	(C)	(D)	(E)	(F)		
1	1	1C7100-08150	HORN,ELECTRIC	1	1	1					
2	1	194990-22130	NUT W/WASHER 6	2	2	2					
3	1	129467-44580	MOUNT RUBBER	2	2	2					
4	1	1A7000-57210	COLLAR,7X11X14	2	2	2					
5	1	22157-060000	WASHER 6	2	2	2					
6	1	26106-060252	BOLT M 6X 25 PLATED	2	2	2					

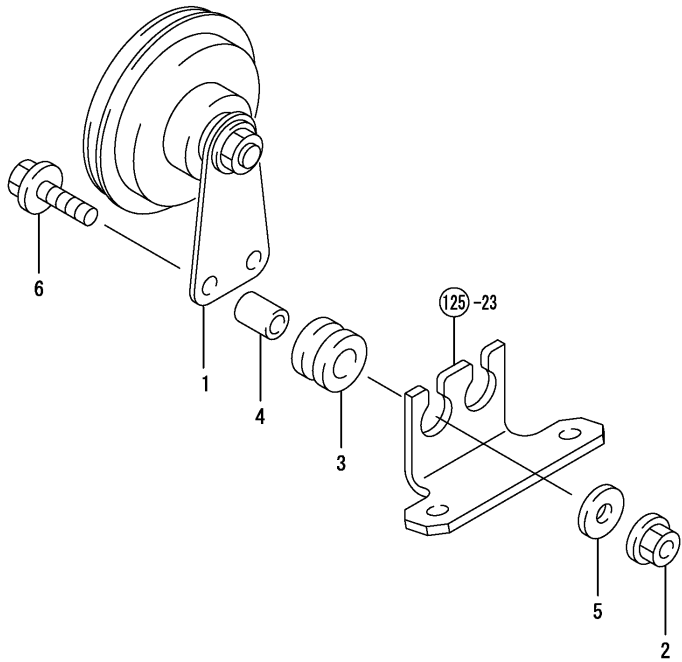


Fig.121. BACKBUZZER

(A)=EG765-KPQ
 (B)=EG775-KPQ
 (C)=EG782-KPQ

(D)=
 (E)=
 (F)=

REF.	LEV.	PARTS NO.	DESCRIPTION	QTY						I	R
				(A)	(B)	(C)	(D)	(E)	(F)		
1	1	198071-57110	BUZZER,BACK	1	1	1					
2	1	198093-85650	BOLT M6X16	1	1	1					

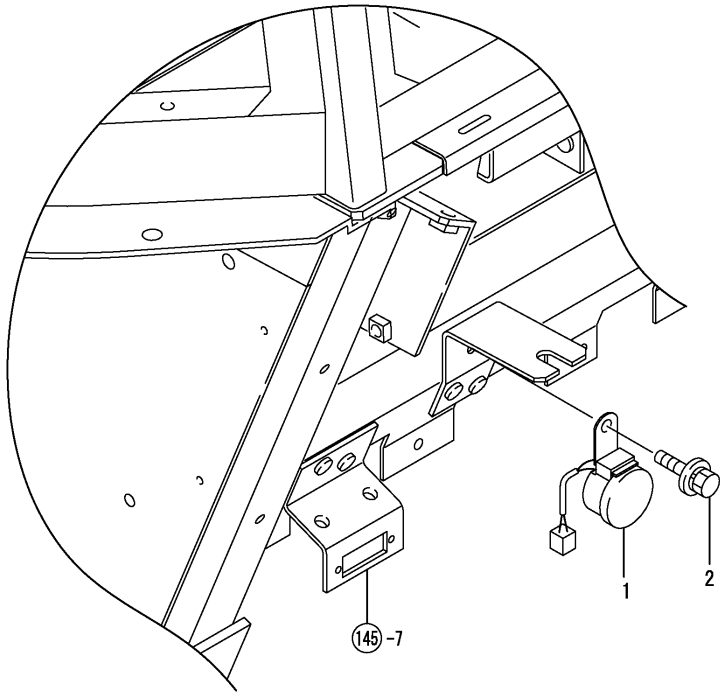
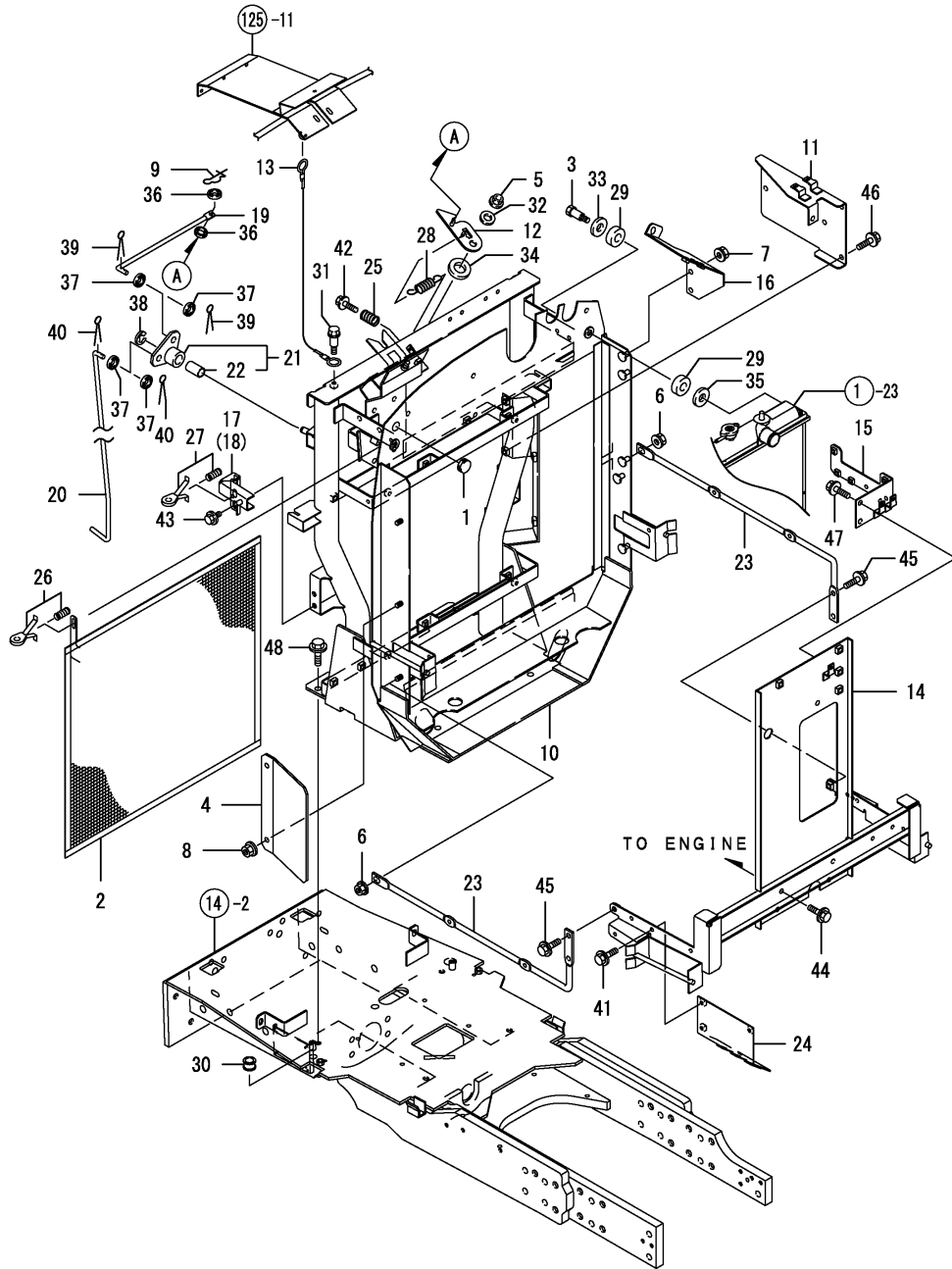


Fig.122. FRONT FRAME

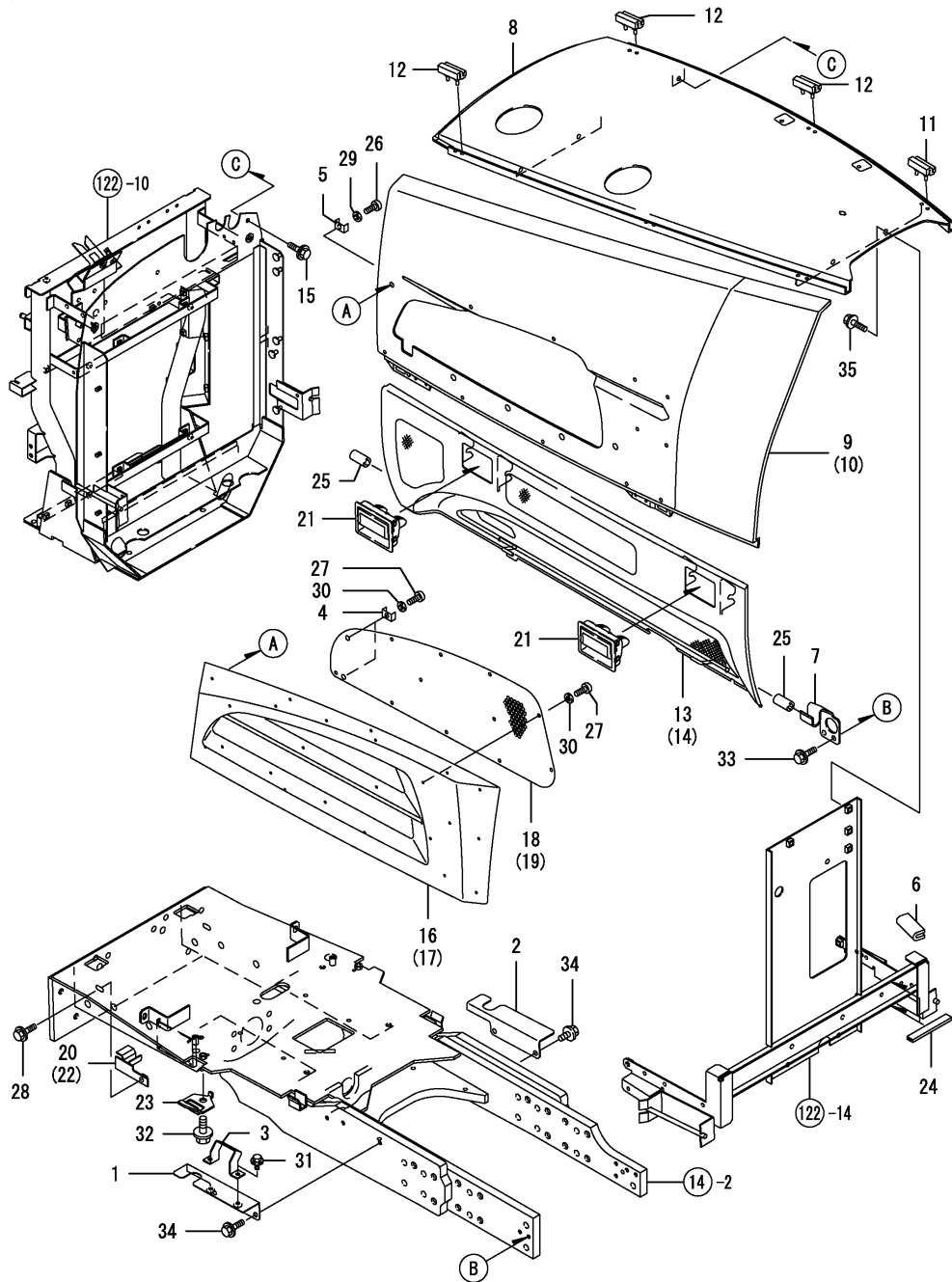


(A)=EG765-KPQ
(B)=EG775-KPQ
(C)=EG782-KPQ

(D)=
(E)=
(F)=

REF.	LEV.	PARTS NO.	DESCRIPTION	QTY						I	R
				(A)	(B)	(C)	(D)	(E)	(F)		
1	1	194180-01240	GROMMET 13	1	1	1					
2	1	1A7450-01250	SCREEN, RADIATOR	1	1	1					
3	1	198133-02120	BOLT M 6	2	2	2					
4	1	1A7790-05570	PLATE , SHUTTER	1	1	1					
5	1	194990-22140	NUT W/WASHER 8	1	1	1					
6	1	194990-22140	NUT W/WASHER 8	2	2	2					
7	1	194990-22140	NUT W/WASHER 8	2	2	2					
8	1	194990-22140	NUT W/WASHER 8	2	2	2					
9	1	1C6281-52310	PIN 6,COME-OFF SNAP	1	1	1					
10	1	1A7480-60100	FRAME ASSY, FRONT	1	1	1					
11	1	1A7450-60231	BRACKET, CONTROLLER	1	1	1					
12	1	198535-60330	LOCK,GRILLE	1	1	1					
13	1	1A7450-60372	WIRE,GRILLE	1	1	1					
14	1	1A7450-60501	FRAME ASSY,REAR	1	1	1					
15	1	1A7450-60551	BRACKET,FUSE BOX	1	1	1					
16	1	1A7480-60670	STAY, FC M CMP	1	1	1					
17	1	1A7450-60680	BRACKET ASSY,SIDE L	1	1	1					
18	1	1A7450-60690	BRACKET ASSY,SIDE R	1	1	1					
19	1	1A7450-60700	ROD, A GRILLE LOCK	1	1	1					
20	1	1A7450-60710	ROD, B GRILLE LOCK	1	1	1					
21	1	1A7450-60720	ARM ASSY,GRILLE LOCK	1	1	1					
22	2	24550-010200	BUSH 10X20	1	1	1					
23	1	1A7450-60910	STAY,HARNESS	2	2	2					
24	1	1A7450-60920	PLATE ASSY, FUSE	1	1	1					
25	1	198220-61340	SPRING	1	1	1					
26	1	198220-61351	LOCK COMP.,CAM	4	4	4					
27	1	198220-61351	LOCK COMP.,CAM	1	1	1					
28	1	198230-61960	SPRING	1	1	1					
29	1	194420-62260	RUBBER, CUSHION	4	4	4					
30	1	197830-85490	GROMMET 8,RUBBER	1	1	1					
31	1	1A2320-91320	BOLT 6X10,STEPED	1	1	1					
32	1	22137-080000	WASHER 8, POLISHED	1	1	1					
33	1	22137-100000	WASHER 10,POLISHED	2	2	2					
34	1	22137-120000	WASHER 12,POLISHED	1	1	1					
35	1	22157-060000	WASHER 6	2	2	2					
36	1	22190-060002	SEAL WASHER 6S	2	2	2					
37	1	22190-080002	SEAL WASHER 8S	4	4	4					
38	1	22272-000080	CIRCLIP E- 8	1	1	1					
39	1	22417-160180	COTTER PIN 1.6X18	2	2	2					
40	1	22417-160180	COTTER PIN 1.6X18	2	2	2					
41	1	26106-060122	BOLT M 6X 12 PLATED	2	2	2					
42	1	26106-060162	BOLT M 6X 16 PLATED	1	1	1					
43	1	26106-080122	BOLT M 8X 12 PLATED	4	4	4					
44	1	26106-080122	BOLT M 8X 12 PLATED	4	4	4					
45	1	26106-080162	BOLT M 8X 16 PLATED	2	2	2					
46	1	26106-080162	BOLT M 8X 16 PLATED	3	3	3					
47	1	26106-080162	BOLT M 8X 16 PLATED	2	2	2					
48	1	26106-100202	BOLT M10X 20 PLATED	4	4	4					

Fig.123. HOOD



(A)=EG765-KPQ
(B)=EG775-KPQ
(C)=EG782-KPQ

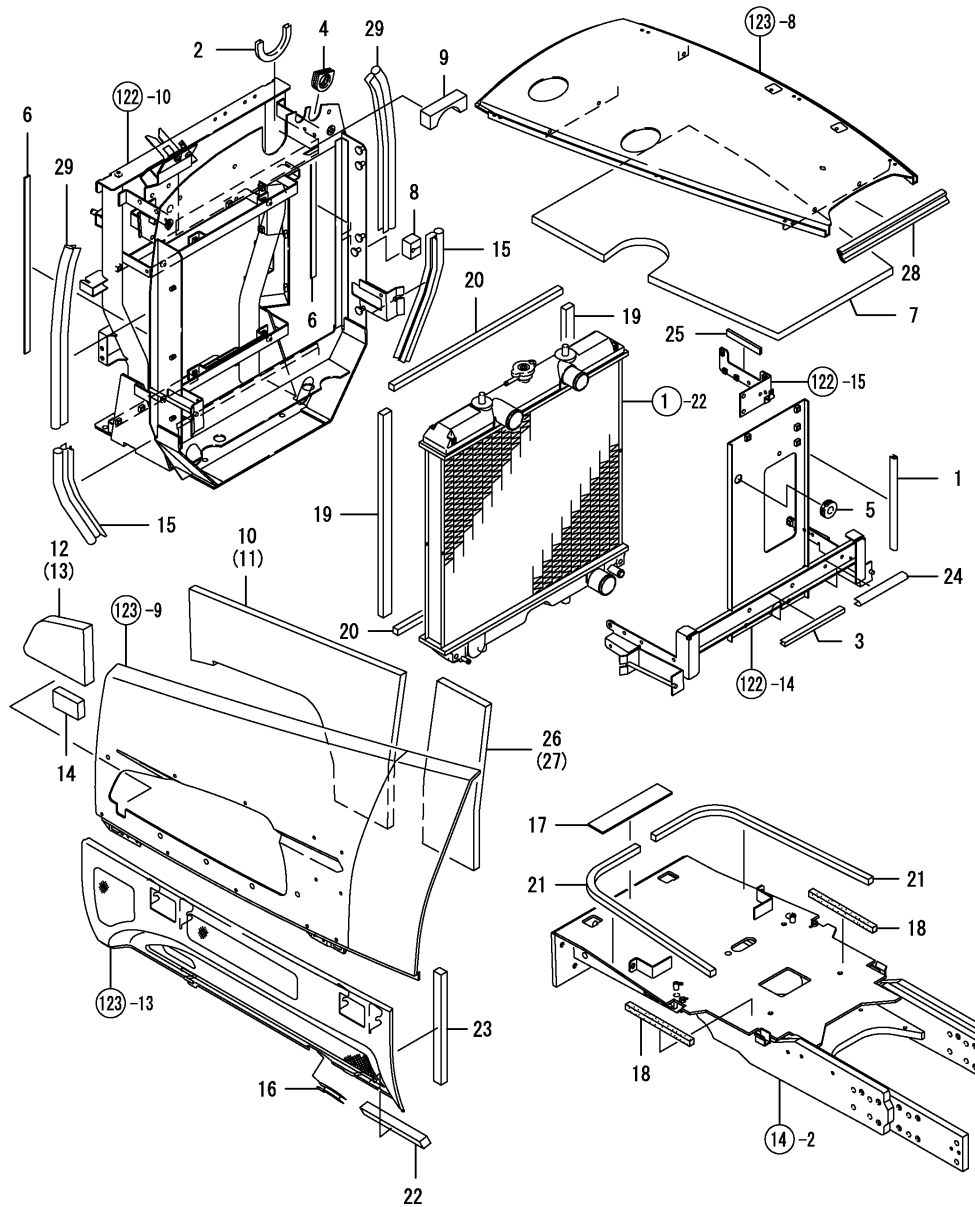
(D)=
(E)=
(F)=

REF.	LEV.	PARTS NO.	DESCRIPTION	QTY						I	R
				(A)	(B)	(C)	(D)	(E)	(F)		
1	1	1A7450-11401	PLATE,SEAL L	1	1	1					
2	1	1A7450-11410	PLATE,SEAL R	1	1	1					
3	1	1A7450-11431	BRACKET,CABLE	1	1	1					
4	1	1A7450-53290	BRACKET, SIDE LAMP	4	4	4					
5	1	1A7450-53290	BRACKET, SIDE LAMP	2	2	2					
6	1	198448-60080	TRIM 40	1	1	1					
7	1	1A7450-60980	STAY,LOWER B SIDE	2	2	2					
8	1	1A7470-61010	UPPER ASSY,HOOD	1	1	1					
9	1	1A7450-61020	SIDE,HOOD UPPER L	1	1	1					
10	1	1A7450-61030	SIDE,HOOD UPPER R	1	1	1					
11	1	1A7790-61070	RUBBER,HOOD UPPER	2	2	2					
12	1	198151-61080	RUBBER	4	4	4					
13	1	1A7480-61080	SIDE ASSY, HOOD L.H.	1	1	1					
14	1	1A7480-61090	SIDE ASSY,HOOD R.H.	1	1	1					
15	1	26106-080162	BOLT M 8X 16 PLATED	3	3	3					
16	1	1A7450-61190	GRILLE, SIDE L.H.	1	1	1					
17	1	1A7450-61200	GRILLE, SIDE R.H.	1	1	1					
18	1	1A7450-61240	SCREEN, SIDE GRILL L	1	1	1					
19	1	1A7450-61250	SCREEN, SIDE GRILL R	1	1	1					
20	1	1A7450-61410	HOOK, LOWER L.H.	1	1	1					
21	1	172187-61421	HANDLE, LOCK	4	4	4					
22	1	1A7450-61420	HOOK, LOWER R.H.	1	1	1					
23	1	198268-61490	GUIDE, GRILLE	2	2	2					
24	1	198230-61560	GUIDE,HOSE	2	2	2					
25	1	198220-61800	RUBBER, CUSHION	4	4	4					
26	1	198071-78420	SCREW M5X10,TAPPING	16	16	16					
27	1	198071-78420	SCREW M5X10,TAPPING	24	24	24					
28	1	26106-080302	BOLT M 8X 30 PLATED	2	2	2					
29	1	22137-050000	WASHER 5, POLISHED	16	16	16					
30	1	22137-060000	WASHER 6, POLISHED	24	24	24					
31	1	26106-060122	BOLT M 6X 12 PLATED	2	2	2					
32	1	26106-080122	BOLT M 8X 12 PLATED	2	2	2					
33	1	26106-080162	BOLT M 8X 16 PLATED	4	4	4					
34	1	26106-080162	BOLT M 8X 16 PLATED	4	4	4					
35	1	26106-080162	BOLT M 8X 16 PLATED	2	2	2					

Fig.124. HOOD SEAL

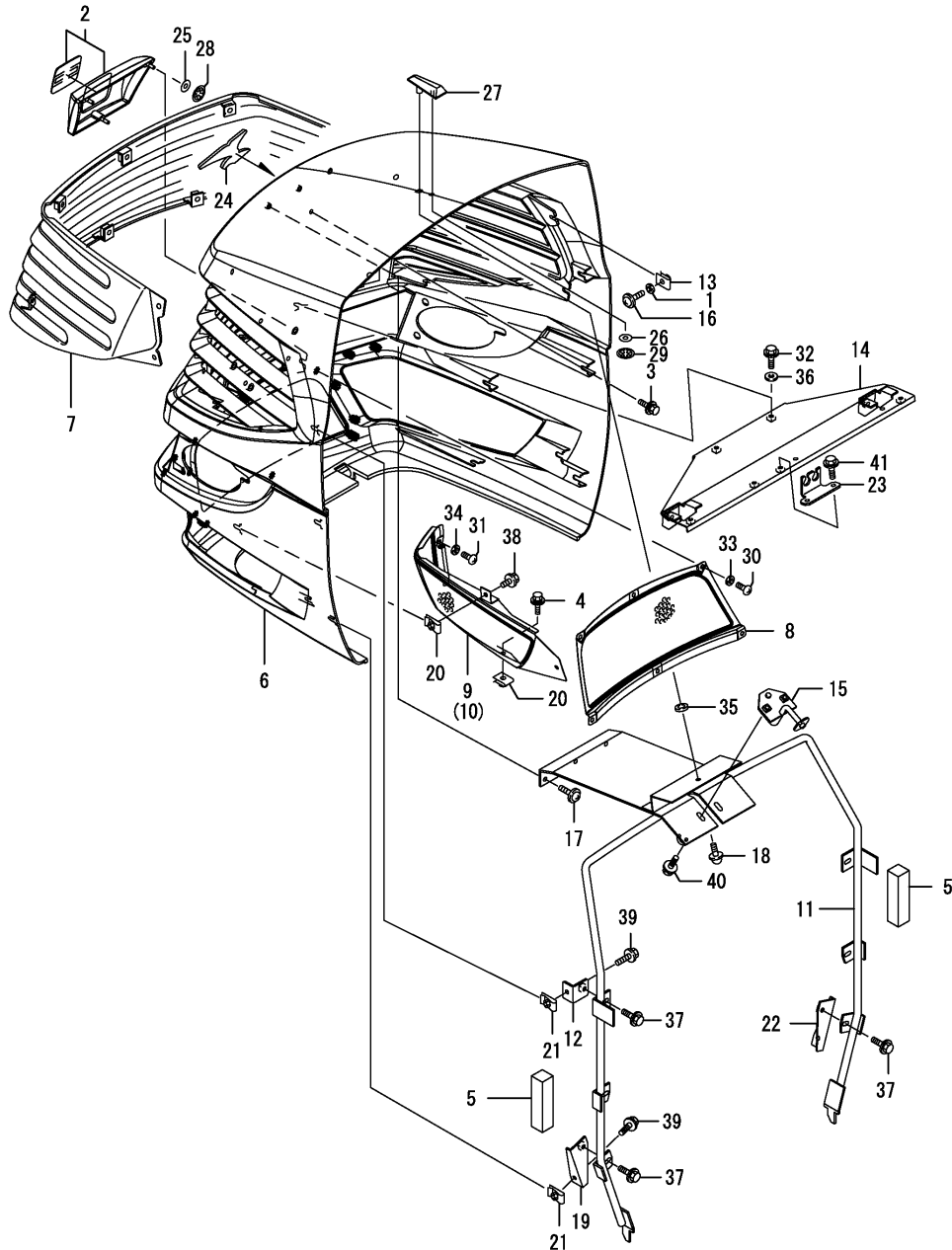
(A)=EG765-KPQ
(B)=EG775-KPQ
(C)=EG782-KPQ

(D)=
(E)=
(F)=



REF.	LEV.	PARTS NO.	DESCRIPTION	QTY						I	R
				(A)	(B)	(C)	(D)	(E)	(F)		
1	1	198071-04490	TRIM,FUEL TANK	2	2	2					
2	1	198461-04490	TRIM,SUB-TANK	1	1	1					
3	1	198461-04490	TRIM,SUB-TANK	2	2	2					
4	1	198155-51290	GROMMET D25	1	1	1					
5	1	194080-58820	GROMMET 15	1	1	1					
6	1	1A7450-60470	SEAL RUBBER,RADIATOR	2	2	2					
7	1	1A7450-60610	URETHANE,HOOD UPPER	1	1	1					
8	1	1A7450-60620	URETHANE,SEAL	1	1	1					
9	1	1A7450-60630	URETHANE,INTAKE PIPE	1	1	1					
10	1	1A7450-60850	URETHANE, SIDE UPPER	1	1	1					
11	1	1A7450-60860	URETHANE, SIDE UPPER	1	1	1					
12	1	1A7450-60870	URETHANE, SIDE UP FL	1	1	1					
13	1	1A7450-60880	URETHANE, SIDE UP FR	1	1	1					
14	1	1A7450-60890	URETHANE, 75X50X20	2	2	2					
15	1	174570-61080	WETHER STRIP	2	2	2					
16	1	198535-61250	TRIM,HOOD SIDE LOWER	1	1	1					
17	1	1A7450-61290	RUBBER,FRONTMUSK	1	1	1					
18	1	198121-61420	SEAL,G FRAME SIDE	2	2	2					
19	1	1A7450-61460	URETHANE,RADIATOR	2	2	2					
20	1	198268-61470	URETHANE,RAD.F.GRILL	2	2	2					
21	1	1A7450-61470	URETHANE,GURILLE LOW	2	2	2					
22	1	198268-61501	URETHANE, 200	2	2	2					
23	1	1A7450-61500	URETHANE,SIDE LOWER	2	2	2					
24	1	198230-61560	GUIDE,HOSE	2	2	2					
25	1	198230-61560	GUIDE,HOSE	1	1	1					
26	1	1A7450-61620	URETHANE,SIDE UPPER	1	1	1					
27	1	1A7450-61630	URETHANE,SIDE UPPER	1	1	1					
28	1	174841-61880	SEAL, BONNET UPPER	1	1	1					
29	1	198133-62050	STRIP 450,WEATHER	2	2	2					

Fig.125. GRILLE, FRONT



(A)=EG765-KPQ
(B)=EG775-KPQ
(C)=EG782-KPQ

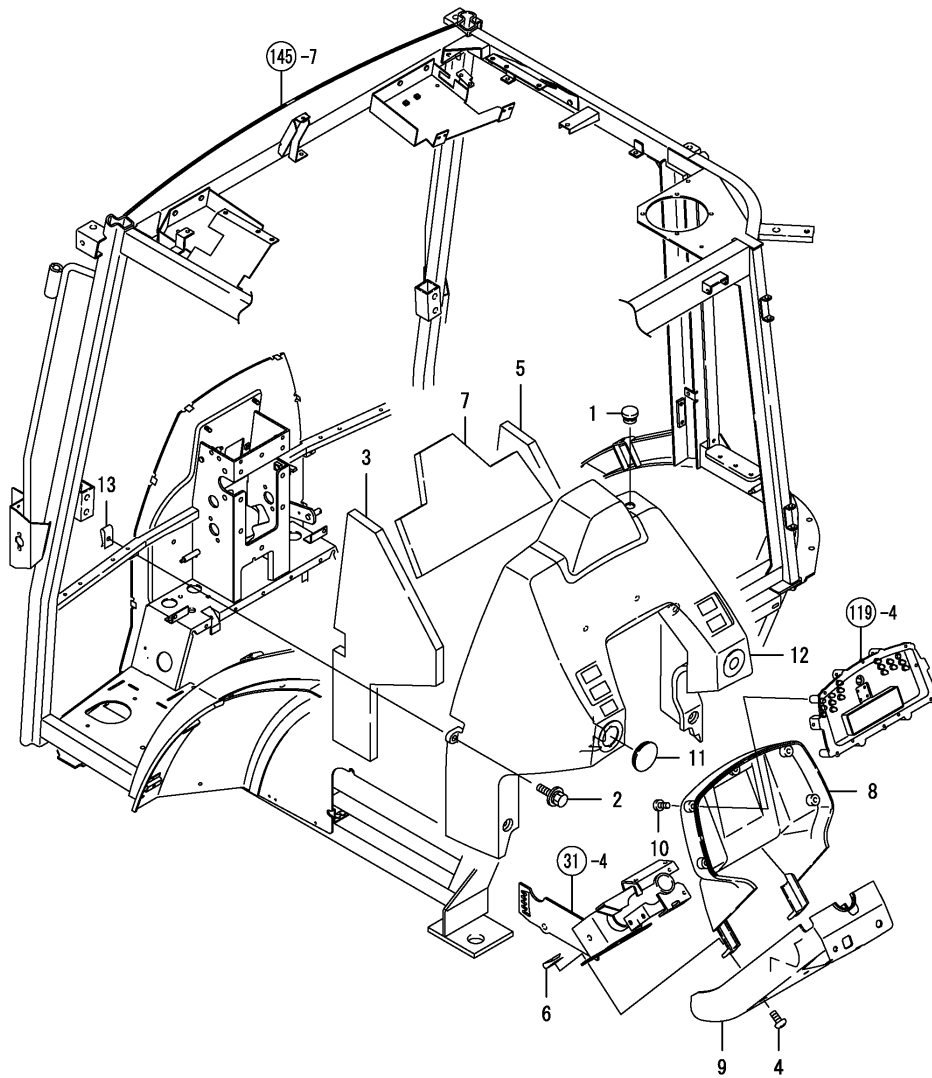
(D)=
(E)=
(F)=

REF.	LEV.	PARTS NO.	DESCRIPTION	QTY						I	R
				(A)	(B)	(C)	(D)	(E)	(F)		
1	1	194515-01190	WASHER 6	4	4	4					
2	1	1A7450-53243	LENS ASSY, CENTER	1	1	1					
3	1	198072-60590	BOLT M6X20	6	6	6					
4	1	198072-60590	BOLT M6X20	2	2	2					
5	1	198550-60650	URETHANE, SIDE LOWER	2	2	2					
6	1	1A7450-61311	GRILLE, FRONT	1	1	1					
7	1	1A7450-61330	SCREEN ASSY, UPPER	1	1	1					
8	1	1A7450-61350	SCREEN, LOWER CENTER	1	1	1					
9	1	1A7450-61360	SCREEN CMP, LOWER L	1	1	1					
10	1	1A7450-61370	SCREEN CMP, LOWER R	1	1	1					
11	1	1A7450-61510	FRAME ASSY, GRILLE	1	1	1					
12	1	1A7450-61600	BRACKET,GRILLE FRAME	4	4	4					
13	1	194145-61651	NUT, M5	4	4	4					
14	1	1A7450-61650-1	BRACKET,FRONT GRILLE	1	1	1					
15	1	1A7450-61750	CATCH, LOCK	1	1	1					
16	1	194940-61790	SCREW 5X16	4	4	4					
17	1	194940-61790	SCREW 5X16	3	3	3					
18	1	194940-61790	SCREW 5X16	1	1	1					
19	1	1A7450-61880	BRACKET,GRILLE FRAME	1	1	1					
20	1	198071-61890	NUT 6,SPEED	6	6	6					
21	1	198071-61890	NUT 6,SPEED	6	6	6					
22	1	1A7450-61890	BRACKET,GRILLE FRAME	1	1	1					
23	1	1A7450-61960	BKT(HORN	1	1	1					
24	1	1A7480-65010	MARK, BRAN 80-R680	1	1	1					
25	1	198475-65030	CUSHION	3	3	3					
26	1	198475-65030	CUSHION	1	1	1					
27	1	198448-65590	MARK	1	1	1					
28	1	198071-65610	NUT M5,SPEED	3	3	3					
29	1	198071-65610	NUT M5,SPEED	1	1	1					
30	1	198071-78420	SCREW M5X10,TAPPING	6	6	6					
31	1	198071-78420	SCREW M5X10,TAPPING	4	4	4					
32	1	198196-83170	BOLT, 6X16	4	4	4					
33	1	22137-060000	WASHER 6, POLISHED	6	6	6					
34	1	22137-060000	WASHER 6, POLISHED	4	4	4					
35	1	22137-060000	WASHER 6, POLISHED	1	1	1					
36	1	22157-060000	WASHER 6	4	4	4					
37	1	26106-060122	BOLT M 6X 12 PLATED	6	6	6					
38	1	26106-060122	BOLT M 6X 12 PLATED	4	4	4					
39	1	26106-060122	BOLT M 6X 12 PLATED	6	6	6					
40	1	26106-060162	BOLT M 6X 16 PLATED	2	2	2					
41	1	26106-060162	BOLT M 6X 16 PLATED	2	2	2					

Fig.126. DASHBOARD

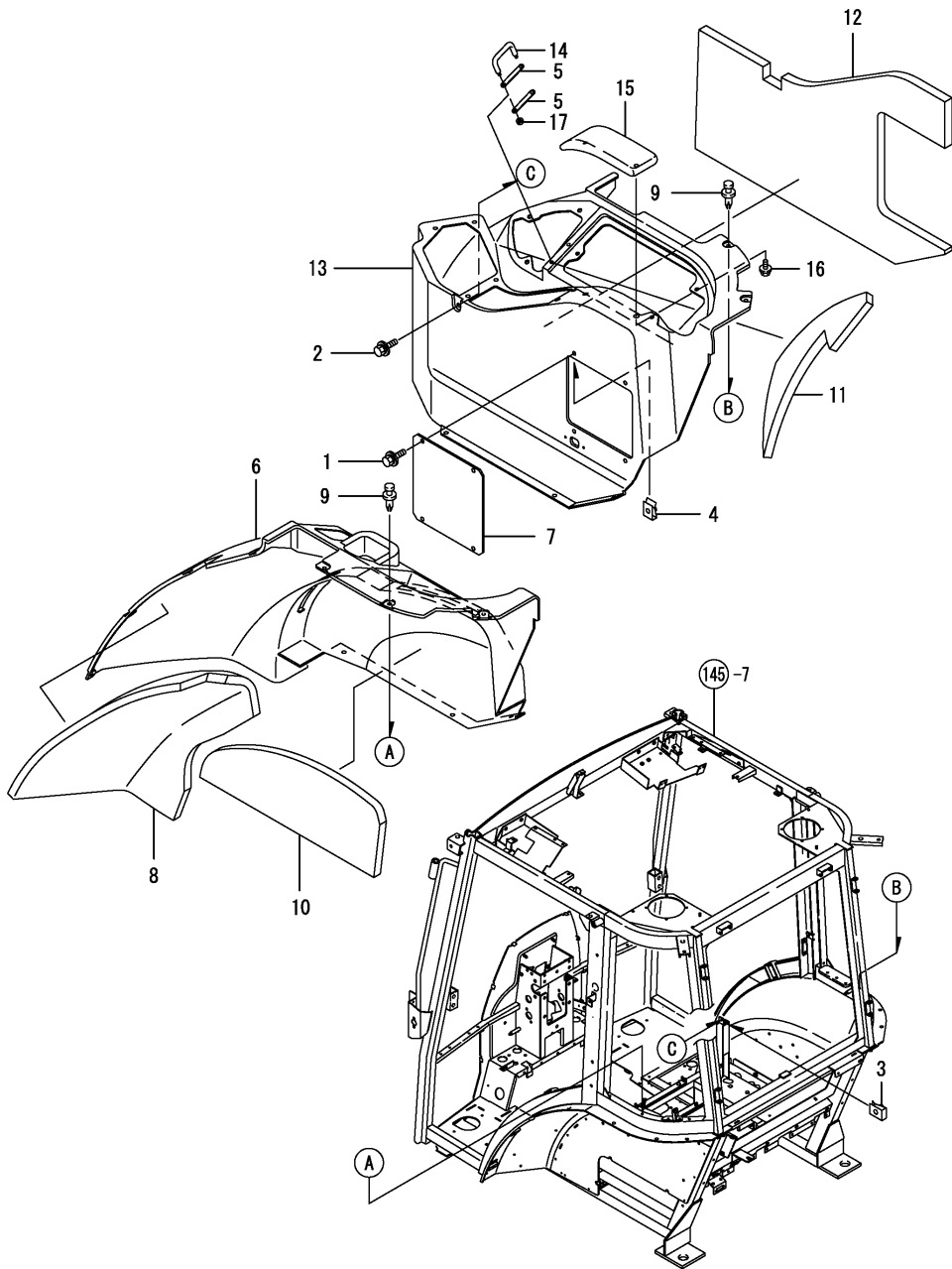
(A)=EG765-KPQ
 (B)=EG775-KPQ
 (C)=EG782-KPQ

(D)=
 (E)=
 (F)=



REF.	LEV.	PARTS NO.	DESCRIPTION	QTY						I	R
				(A)	(B)	(C)	(D)	(E)	(F)		
1	1	1A1040-41610	PLUG,RUBBER	1	1	1					
2	1	198461-60590	BOLT 6* 20	6	6	6					
3	1	198463-61630	URETHANE, DASHBOARD	1	1	1					
4	1	194555-61640	SCREW M 5X 25	3	3	3					
5	1	198463-61640	URETHANE, DASHBOARD	1	1	1					
6	1	194167-61650	NUT 5008	3	3	3					
7	1	198463-61650	URETHANE, DASHBOARD	1	1	1					
8	1	198448-61661	COVER F, COLUMN	1	1	1					
9	1	1A7480-61670	COVER, COLUMN R.H.	1	1	1					
10	1	194940-61790	SCREW 5X16	5	5	5					
11	1	1A7450-61790	GROMMET40	1	1	1					
12	1	1A7480-61790	DASHBOARD M,ASSY	1	1	1					
13	1	198071-61890	NUT 6,SPEED	6	6	6					

Fig.127. LEVER GUIDE(CABIN)



(A)=EG765-KPQ
 (B)=EG775-KPQ
 (C)=EG782-KPQ

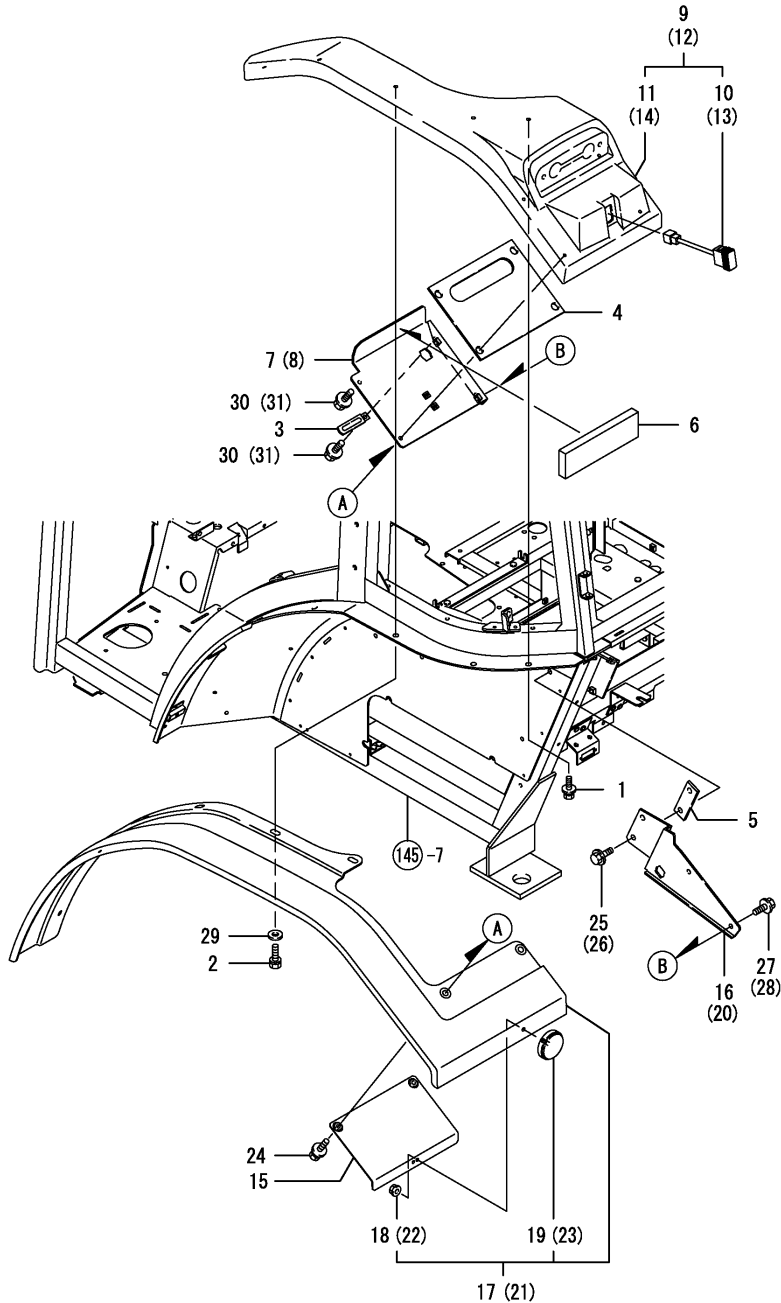
(D)=
 (E)=
 (F)=

REF.	LEV.	PARTS NO.	DESCRIPTION	QTY						I	R
				(A)	(B)	(C)	(D)	(E)	(F)		
1	1	198461-60590	BOLT 6* 20	4	4	4					
2	1	198461-60590	BOLT 6* 20	7	7	7					
3	1	198071-61890	NUT 6,SPEED	1	1	1					
4	1	198071-61890	NUT 6,SPEED	4	4	4					
5	1	1A7450-62240	PLATE,	2	2	2					
6	1	1A7480-62270	GUIDE,LEVER L	1	1	1					
7	1	1A7450-62300	COVER,LEVER GUIDE R	1	1	1					
8	1	198463-62320	URETHANE,LEVER GUIDE	1	1	1					
9	1	1A7450-62320	RIVET, NYLON	13	13	13					
10	1	198463-62330	URETHANE,LEVER GUIDE	1	1	1					
11	1	1A7470-62340	URETHANE,LEVER GUIDE	1	1	1					
12	1	1A7470-62350	URETHANE,LEVER GUIDE	1	1	1					
13	1	1A7480-62350	GUIDE,LEVER R(M CMP	1	1	1					
14	1	1A7400-63630	GUARD, SW	1	1	1					
15	1	1A7480-84520	ARM REST	1	1	1					
16	1	26106-080122	BOLT M 8X 12 PLATED	2	2	2					
17	1	26716-050002	NUT M 5	2	2	2					

Fig.128. OVER FENDER

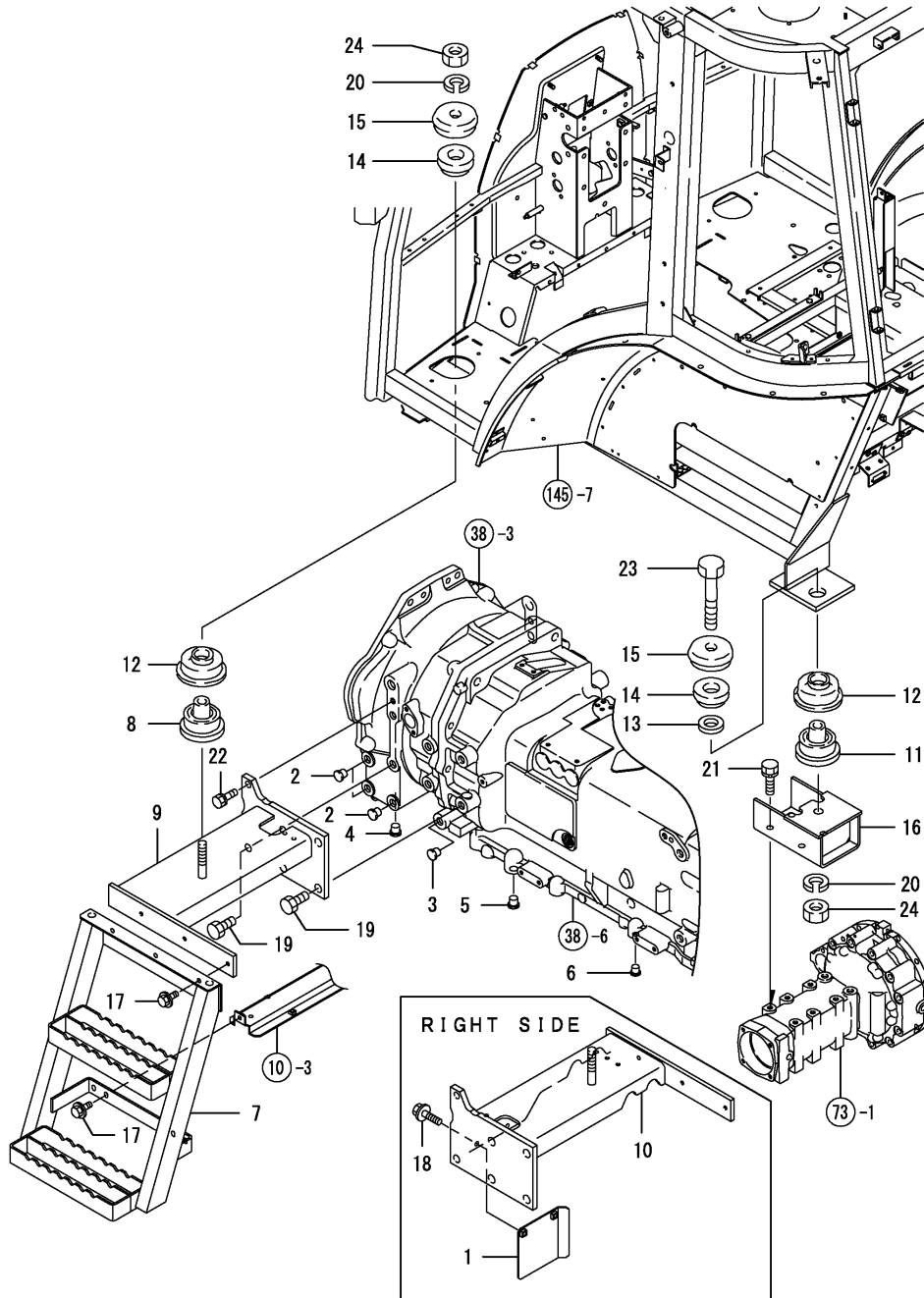
(A)=EG765-KPQ
 (B)=EG775-KPQ
 (C)=EG782-KPQ

(D)=
 (E)=
 (F)=



REF.	LEV.	PARTS NO.	DESCRIPTION	QTY						I	R
				(A)	(B)	(C)	(D)	(E)	(F)		
1	1	194420-05210	BOLT, M6X16	6	6	6					
2	1	26013-060202	BOLT M 6X 20	8	8	8					
3	1	194440-51630	CLAMP, WIRE HARNESS	2	2	2					
4	1	1A7470-62030	SEAL, MUDGUARD	2	2	2					
5	1	198463-62040	SEAL, MUDGUARD	2	2	2					
6	1	1A7470-62040	URETHANE,220X65X20	2	2	2					
7	1	1A7470-62053	BRACKET, MUDGUARD L	1	1	1					
8	1	1A7470-62063	BRACKET, MUDGUARD R	1	1	1					
9	1	1A7450-62201	FENDER UNIT, OVER L	1	1	1					
10	2	1A6381-52520	SWICH(SEESAW 3P	1	1	1					
11	2	1A7450-62211	FENDER ASSY, OVER L	1	1	1					
12	1	1A7450-62221	FENDER UNIT, OVER R	1	1	1					
13	2	1A6381-52520	SWICH(SEESAW 3P	1	1	1					
14	2	1A7450-62231	FENDER ASSY, OVER R	1	1	1					
15	1	1A7450-62390	PLATE,FENDER	2	2	2					
16	1	198463-62430	MUDGUARD, L	1	1	1					
17	1	1A7450-62431	FENDER EXT ASY LREAR	1	1	1					
18	2	194990-22120	NUT, M5	1	1	1					
19	2	1A6481-62650	REFLECTOR	1	1	1					
20	1	198463-62440	MUDGUARD, R	1	1	1					
21	1	1A7450-62441	FENDER EXT ASY RREAR	1	1	1					
22	2	194990-22120	NUT, M5	1	1	1					
23	2	1A6481-62650	REFLECTOR	1	1	1					
24	1	26018-060202	BOLT M 6X 20	4	4	4					
25	1	198127-83150	BOLT M8X30,COLLAR	2	2	2					
26	1	198127-83150	BOLT M8X30,COLLAR	2	2	2					
27	1	198460-83350	BOLT M8X16,BC COLLAR	2	2	2					
28	1	198460-83350	BOLT M8X16,BC COLLAR	2	2	2					
29	1	22157-060000	WASHER 6	8	8	8					
30	1	26106-060162	BOLT M 6X 16 PLATED	2	2	2					
31	1	26106-060162	BOLT M 6X 16 PLATED	2	2	2					

Fig.129. FLOOR SUPPORT



(A)=EG765-KPQ
(B)=EG775-KPQ
(C)=EG782-KPQ

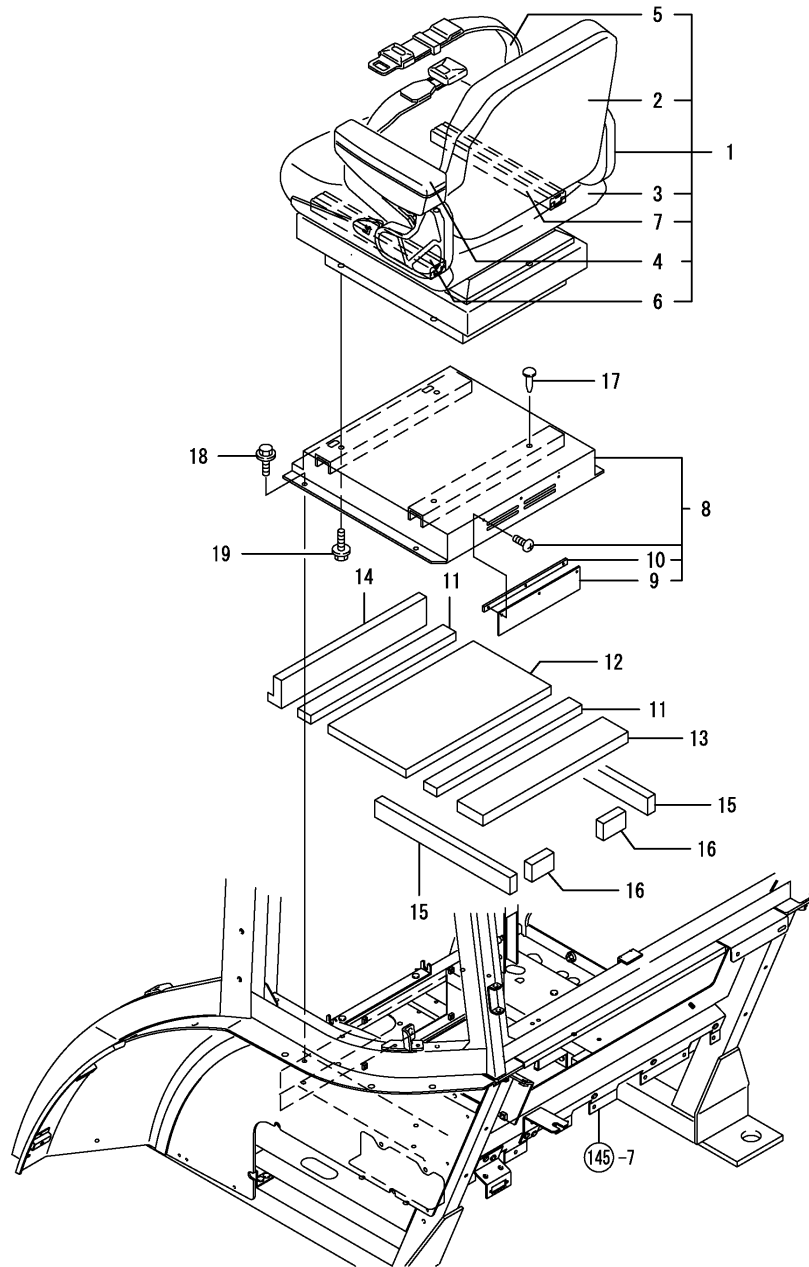
(D)=
(E)=
(F)=

REF.	LEV.	PARTS NO.	DESCRIPTION	QTY						I	R
				(A)	(B)	(C)	(D)	(E)	(F)		
1	1	1A7450-04270	COVER ASSY,FO TANK	1	1	1					
2	1	194450-11190	PLUG 15	6	6	6					
3	1	194450-11190	PLUG 15	2	2	2					
4	1	194450-11190	PLUG 15	2	2	2					
5	1	194450-11190	PLUG 15	2	2	2					
6	1	194150-21910	PLUG 11.2	2	2	2					
7	1	1A7450-62600	SUB STEP ASSY	2	2	2					
8	1	198094-62720	MOUNT, LOWER F	2	2	2					
9	1	1A7470-62731	SUPPORT,FRONT L	1	1	1					
10	1	1A7470-62741	SUPPORT,FRONT R	1	1	1					
11	1	198094-62750	MOUNT, LOWER R	2	2	2					
12	1	198094-62770	STOPPER,MOUNT	4	4	4					
13	1	198094-62790	RUBBER, STOPPER	2	2	2					
14	1	198071-62800	MOUNT,UPPER	4	4	4					
15	1	198071-62890	STOPPER U	4	4	4					
16	1	1A7450-80610	SUPPORT,REAR	2	2	2					
17	1	198460-83350	BOLT M8X16,BC COLLAR	10	10	10					
18	1	198460-83350	BOLT M8X16,BC COLLAR	2	2	2					
19	1	198220-85290	BOLT 16*40	10	10	10					
20	1	22217-160000	SPRING WASHER 16	4	4	4					
21	1	26013-120302	BOLT W/WASHER M12X30	8	8	8					
22	1	26013-120352	BOLT M12X 35	2	2	2					
23	1	26116-161002	BOLT M16X100 PLATED	2	2	2					
24	1	26716-160002	NUT M16	4	4	4					

Fig.130. DRIVER SEAT

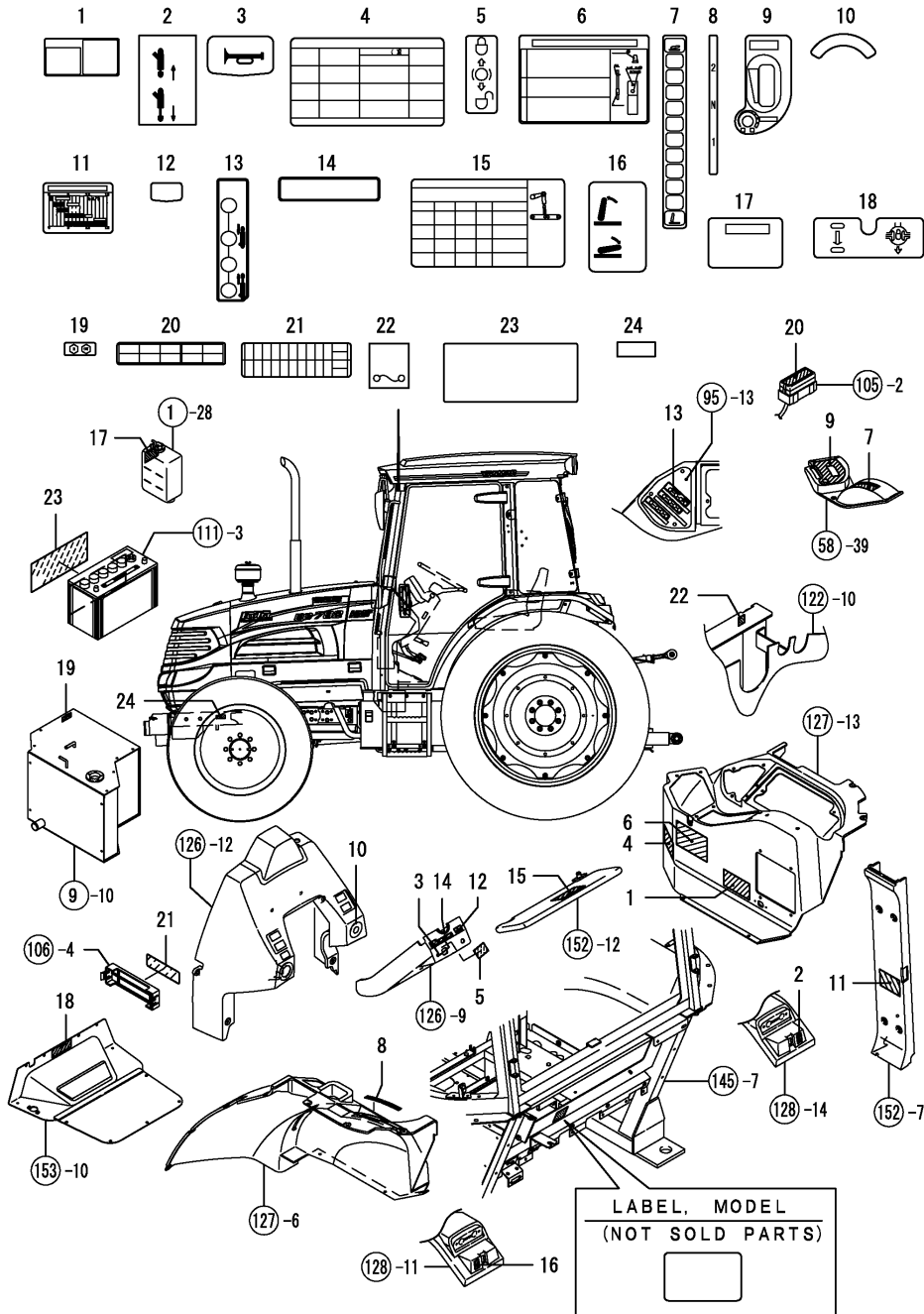
(A)=EG765-KPQ
(B)=EG775-KPQ
(C)=EG782-KPQ

(D)=
(E)=
(F)=



REF.	LEV.	PARTS NO.	DESCRIPTION	QTY						I	R
				(A)	(B)	(C)	(D)	(E)	(F)		
1	1	1A7470-63101	SEAT ASSY	1	1	1					
2	2	1A7470-63120	BACK REST CUSHION	1	1	1					
3	2	1A7470-63130	SEAT CUSHION	1	1	1					
4	2	1A7450-63140	ARMREST L	1	1	1					
5	2	1A7450-63160	SEAT BELT	1	1	1					
6	2	1A7450-63171	SEAT RAIL	1	1	1					
7	2	1A7450-63181	SEAT RAIL,HANDLE	1	1	1					
8	1	1A7470-63242	COVER ASSY, SEAT	1	1	1					
9	2	1A7470-63280	SHUTTER	1	1	1					
10	2	1A7470-63290	PLATE, SHUTTER	1	1	1					
11	1	198268-63350	SEAL, A SEAT BRACKET	2	2	2					
12	1	198268-63360	SEAL, B SEAT BRACKET	1	1	1					
13	1	1A7470-63370	SEAL ,C SEAT BRACKET	1	1	1					
14	1	1A7470-63380	SEAL ,D SEAT BRACKET	1	1	1					
15	1	1A7470-63390	SEAL ,E SEAT BRACKET	2	2	2					
16	1	1A7470-63410	SEAL ,F SEAT BRACKET	2	2	2					
17	1	1E6760-74150	CAP 8,HOLE	4	4	4					
18	1	198093-82510	BOLT M8X25,COLLAR	4	4	4					
19	1	26106-080202	BOLT M 8X 20 PLATED	4	4	4					

Fig.131. LABEL



(A)=EG765-KPQ
(B)=EG775-KPQ
(C)=EG782-KPQ

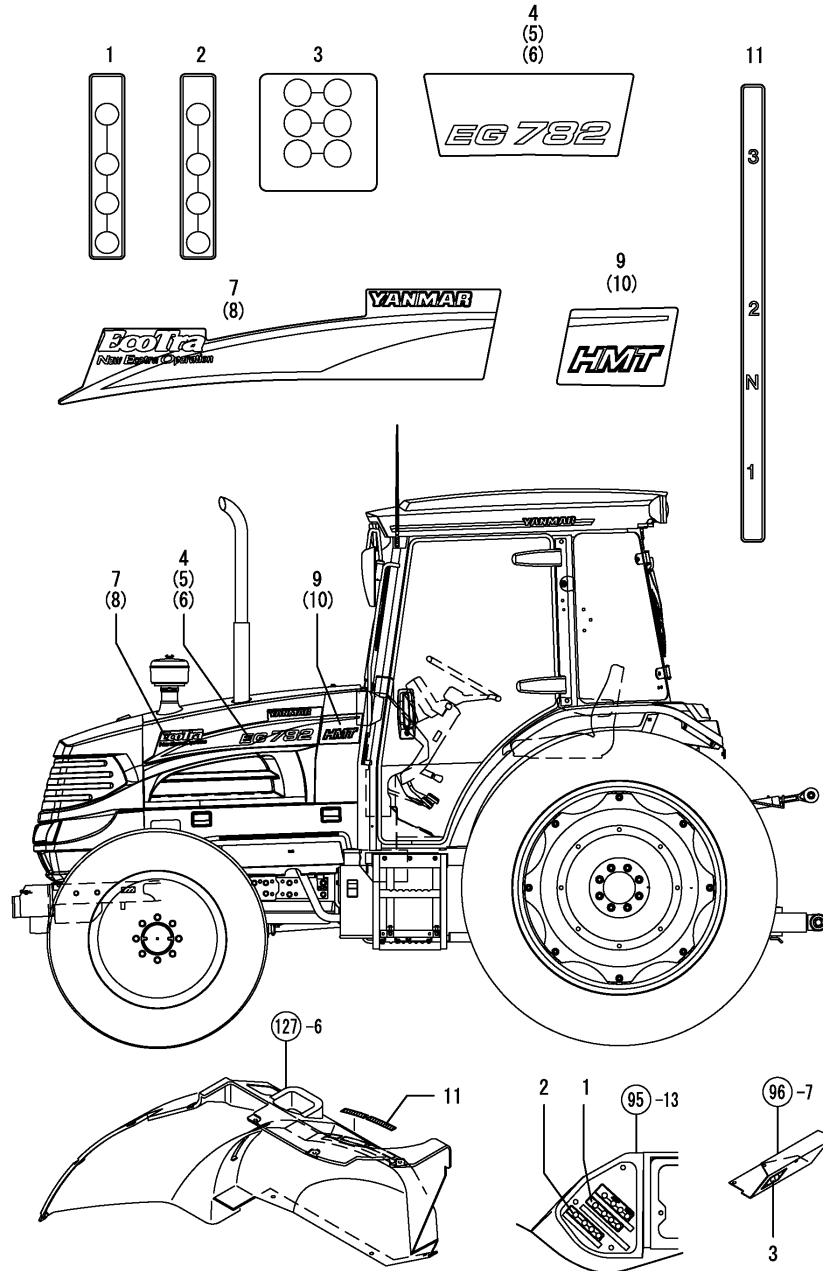
(D)=
(E)=
(F)=

REF.	LEV.	PARTS NO.	DESCRIPTION	QTY						I	R
				(A)	(B)	(C)	(D)	(E)	(F)		
1	1	1A7480-64770	LABEL,	1	1	1					
2	1	1A7620-64860	LABEL	1	1	1					
3	1	198153-65351	LABEL,HORN	1	1	1					
4	1	1A7480-65420	LABEL,	1	1	1					
5	1	1A7480-65470	LABEL,	1	1	1					
6	1	1A7480-65500	LABEL,LIFT	1	1	1					
7	1	1A7480-65520	LABEL,	1	1	1					
8	1	1A7480-65660	LABEL,	1	1	1					
9	1	1A7480-65690	LABEL,	1	1	1					
10	1	1A7620-65720	LABEL	1	1	1					
11	1	1A7480-65750	LABEL,SPEED	1	1	1					
12	1	1A7620-65750	LABEL,	1	1	1					
13	1	1A7480-65840	LABEL,	1	1	1					
14	1	1A7620-65850	LABEL	1	1	1					
15	1	1A7480-65910	LABEL,	1	1	1					
16	1	1A7480-64870	LABEL,	1	1	1					
17	1	1A7480-65400	LABEL, SUB TANK	1	1	1					
18	1	1A7620-65440	LABEL	1	1	1					
19	1	194640-65730	LABEL	1	1	1					
20	1	1A7480-65770	LABEL,RELAY UNIT	1	1	1					
21	1	1A7480-65790	LABEL, FUSE	1	1	1					
22	1	1A7620-65790	LABEL	1	1	1					
23	1	1A7640-65790	LABEL,	1	1	1					
24	1	1A7620-65950	LABEL	1	1	1					

Fig.132. LABEL

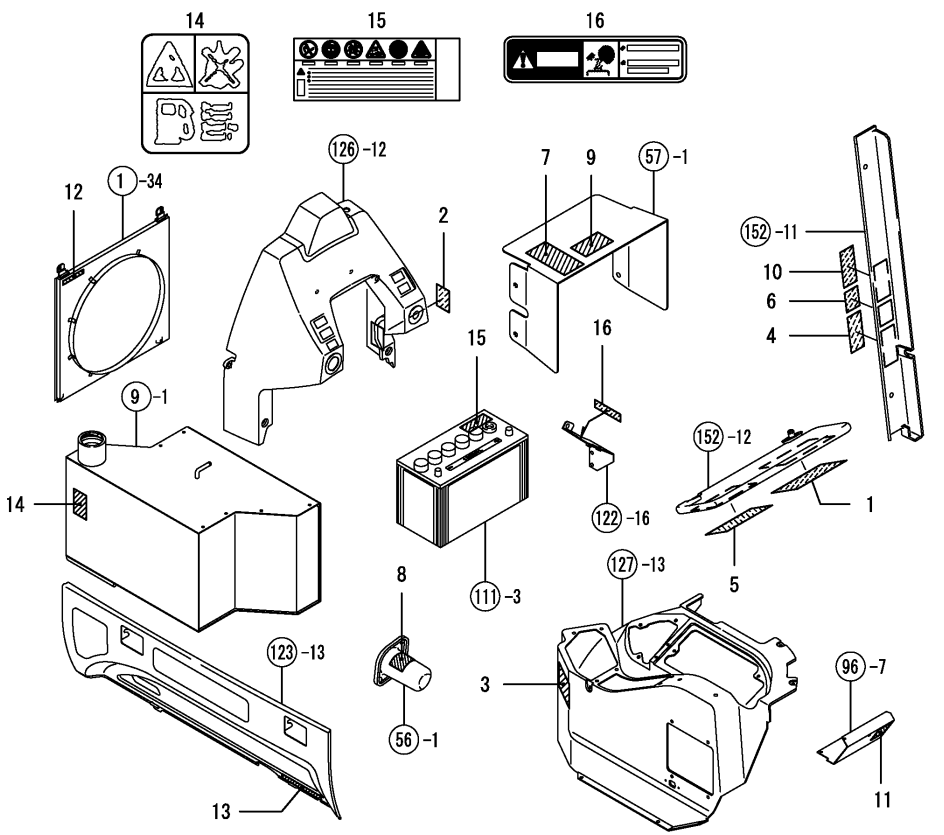
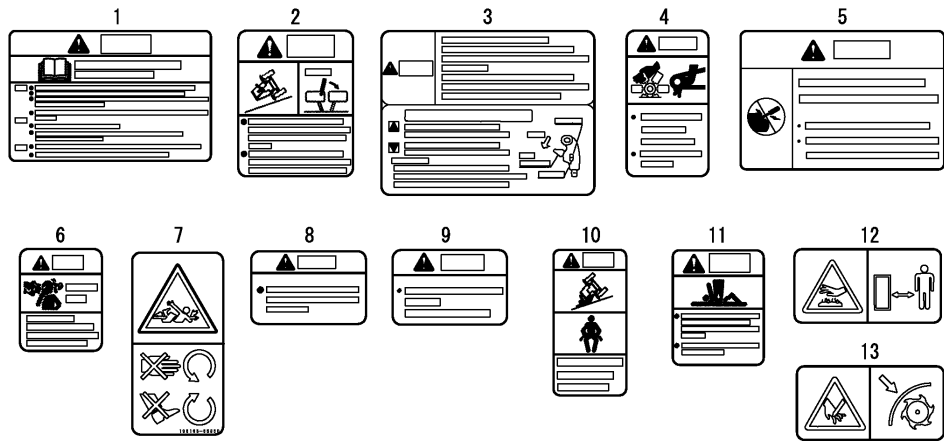
(A)=EG765-KPQ
 (B)=EG775-KPQ
 (C)=EG782-KPQ

(D)=
 (E)=
 (F)=



REF.	LEV.	PARTS NO.	DESCRIPTION	QTY						I	R
				(A)	(B)	(C)	(D)	(E)	(F)		
1	1	1A7480-65850	LABEL,	1	1	1					
2	1	1A7480-65860	LABEL,	1	1	1					
3	1	1A7480-65830	LABEL,	1	1	1					
4	1	1A7480-65570	LABEL, NAME Y	2							
5	1	1A7480-65640	LABEL, NAME Y		2						
6	1	1A7480-65650	LABEL, NAME Y			2					
7	1	1A7480-65581	LABEL, STRIPE FL Y	1	1	1					
8	1	1A7480-65591	LABEL, STRIPE FR Y	1	1	1					
9	1	1A7480-65601	LABEL, STRIPE RL Y	1	1	1					
10	1	1A7480-65631	LABEL, STRIPE RR Y	1	1	1					
11	1	198535-65670	LABEL, P.T.O.	1	1	1					

Fig.133. LABEL(SAFETY)



(A)=EG765-KPQ
(B)=EG775-KPQ
(C)=EG782-KPQ

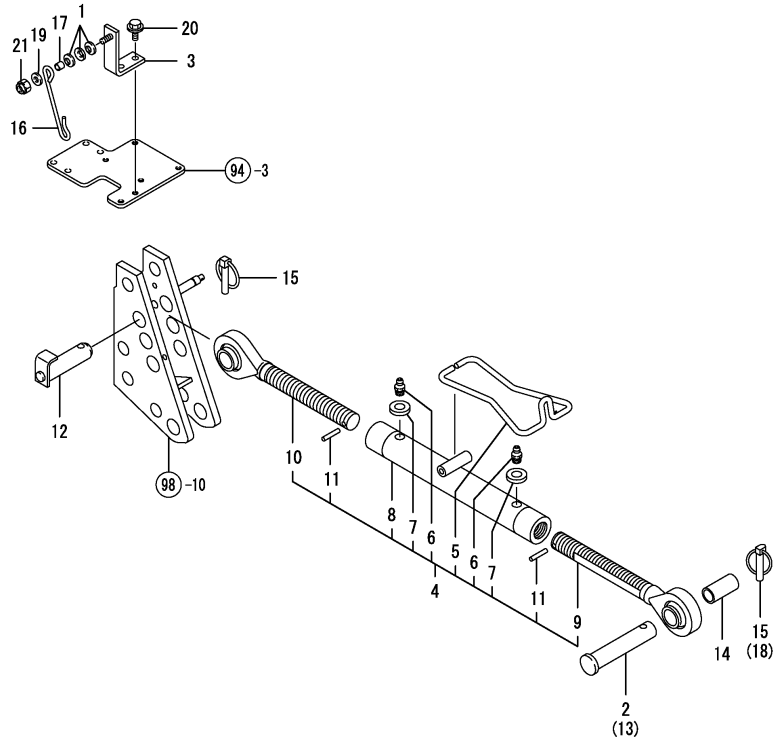
(D)=
(E)=
(F)=

REF.	LEV.	PARTS NO.	DESCRIPTION	QTY						I	R
				(A)	(B)	(C)	(D)	(E)	(F)		
1	1	1A7620-65310	LABEL	1	1	1					
2	1	1A7620-65360	LABEL	1	1	1					
3	1	1A7480-65480	CAUTION, UP DOWN	1	1	1					
4	1	1A7620-65490	LABEL	1	1	1					
5	1	1A7620-65530	LABEL	1	1	1					
6	1	1A7620-87100	LABEL	1	1	1					
7	1	198163-65350	DANGER, ROTAT. SHAFT	1	1	1					
8	1	1A7620-65710	LABEL	1	1	1					
9	1	1A7620-65730	LABEL	1	1	1					
10	1	1A7620-65920	LABEL,	1	1	1					
11	1	1A7620-65910	LABEL	1	1	1					
12	1	198163-65930	CAUTION, MUFFLER	2	2	2					
13	1	198163-65940	CAUTION, SAFETY COVER	2	2	2					
14	1	1A6150-91251	LABEL, RAKE CAUTION	1	1	1					
15	1	1A7620-95950	LABEL,	1	1	1					
16	1	1A7620-97220	LABEL	1	1	1					

Fig.134. TOP LINK

(A)=EG765-KPQ
 (B)=EG775-KPQ
 (C)=EG782-KPQ

(D)=
 (E)=
 (F)=



REF.	LEV.	PARTS NO.	DESCRIPTION	QTY						I	R
				(A)	(B)	(C)	(D)	(E)	(F)		
1	1	198072-18320	SPRING 12	3	3	3					
2	1	195397-27810	PIN 19X92,HEADED	1	1	1					1
3	1	1A7450-47870	STAY, TOP LINK	1	1	1					
4	1	198153-71121	LIK-ASSY, TOP T-710	1	1	1					
5	2	198153-71131	HANDLE, TOPLINK	1	1	1					
6	2	198153-71140	ROTARY PARTS	2	2	2					
7	2	198153-71150	GASKET	2	2	2					
8	2	198153-71501	TURNBUCKLE	1	1	1					
9	2	198153-71601	LINK, TOP	1	1	1					
10	2	198153-71701	LINK L, TOP	1	1	1					
11	2	198153-71810	PIN, LOCKING	2	2	2					
12	1	1A7450-71241	PIN, TOP LINK	1	1	1					
13	1	194180-71260	PIN 25	1	1	1					2
14	1	194180-71271	COLLAR 19X25X51	1	1	1					1
15	1	794130-71410	PIN ASSY, BALL SOCKET	2	2	2					3
16	1	198268-71710	HOLDER, TOP LINK	1	1	1					
17	1	198092-71720	COLLAR, 8.1X10.5X9.3	1	1	1					
18	1	194180-72950	PIN ASSY, LOCK	1	1	1					1
19	1	22137-080000	WASHER 8, POLISHED	1	1	1					
20	1	26106-080162	BOLT M 8X 16 PLATED	2	2	2					
21	1	26346-080002	U-NUT M 8 PLATED	1	1	1					

Remarks
 (1) FOR CATEGORY1
 (2) FOR CATEGORY2
 (1) QTY. IS 1 FOR CATEGORY1
 USED ON TOP LINK HINGE SIDE
 USE NO.18 FOR THE OTHER SIDE.

Fig.135. LIFT LINK L.H.

0CNP4-G99000 135. LIFT LINK L.H.

(A)=EG765-KPQ
(B)=EG775-KPQ
(C)=EG782-KPQ

(D)=
(E)=
(F)=

REF.	LEV.	PARTS NO.	DESCRIPTION	Q'TY						I	R
				(A)	(B)	(C)	(D)	(E)	(F)		
1	1	794130-71410	PIN ASSY,BALL SOCKET	1	1	1					
2	1	1A7450-72301	LINK ASSY,LIFT L	1	1	1					
3	1	1A7450-72411	PIN ASSY,LIFT LINK	1	1	1					
4	1	1A7450-72451	PIN,LIFT LOWER	1	1	1					
5	1	1A7450-72480	PLATE,LIFT LOWER	1	1	1					
6	1	194180-72950	PIN ASSY, LOCK	1	1	1					

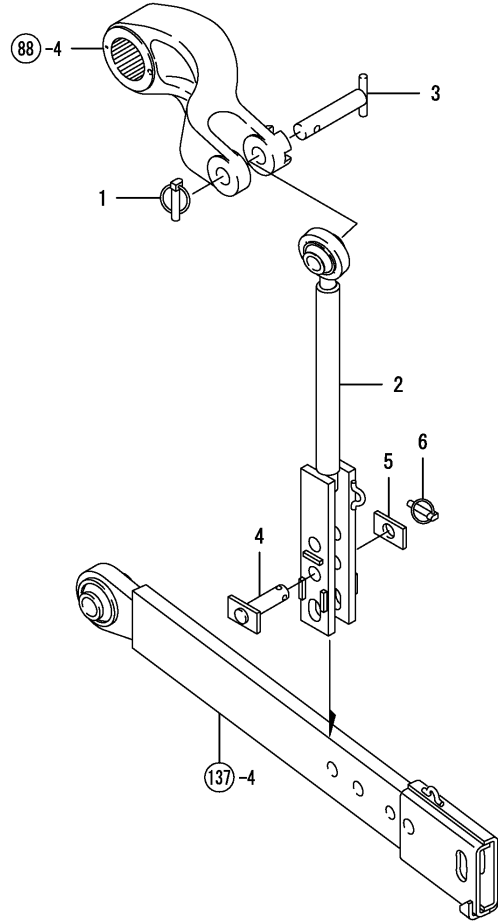
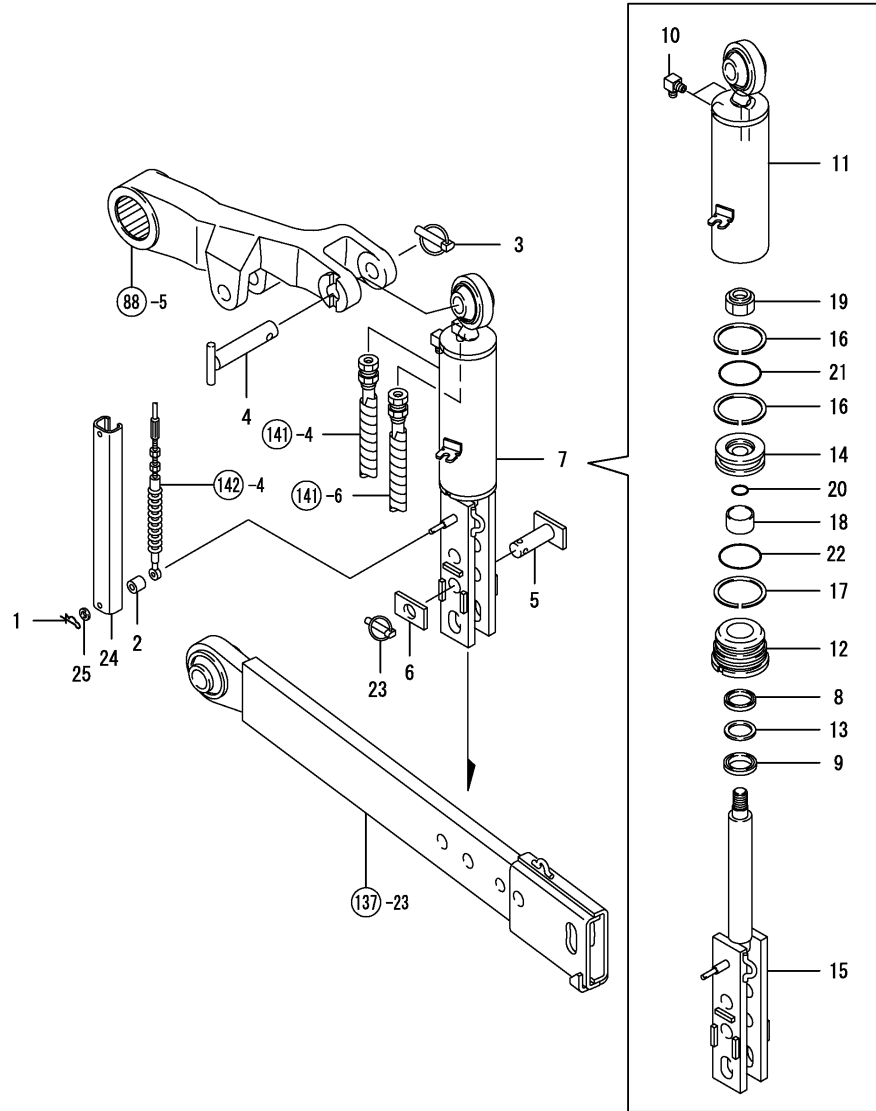


Fig.136. LIFT CYLINDER

(A)=EG765-KPQ
 (B)=EG775-KPQ
 (C)=EG782-KPQ

(D)=
 (E)=
 (F)=

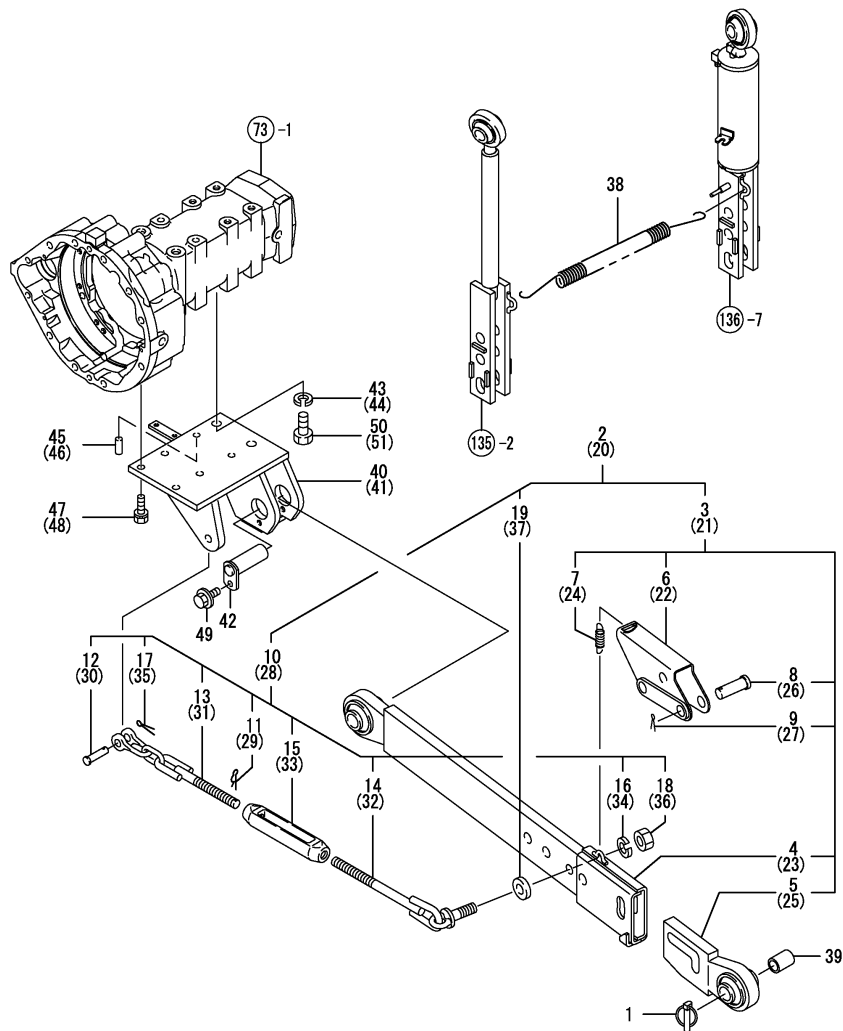


REF.	LEV.	PARTS NO.	DESCRIPTION	Q'TY						I	R
				(A)	(B)	(C)	(D)	(E)	(F)		
1	1	1C6281-52310	PIN 6,COME-OFF SNAP	1	1	1					
2	1	198220-62220	COLLAR	1	1	1					
3	1	794130-71410	PIN ASSY,BALL SOCKET	1	1	1					
4	1	1A7450-72411	PIN ASSY,LIFT LINK	1	1	1					
5	1	1A7450-72451	PIN,LIFT LOWER	1	1	1					
6	1	1A7450-72480	PLATE,LIFT LOWER	1	1	1					
7	1	1A7450-72611	CYLINDER UNIT,LIFT	1	1	1					
8	2	198071-17330	PACKING 30	1	1	1					
9	2	198133-17370	SCRAPER SCK-30	1	1	1					
10	2	194065-38350	ADAPTER 1/8	2	2	2					
11	2	1A7450-72620	TUBE ASSY	1	1	1					
12	2	198268-72711	CAP, CYLINDER	1	1	1					
13	2	198268-72720	RING,BACK-UP	1	1	1					
14	2	198268-72740	PISTON	1	1	1					
15	2	1A7450-72761	ROD ASSY	1	1	1					
16	2	1A7790-72790	RING, BACKUP P53	2	2	2					
17	2	1A7790-72790	RING, BACKUP P53	1	1	1					
18	2	24550-030200	BUSH 30X20	1	1	1					
19	2	26356-180002	U-NUT M18	1	1	1					
20	2	41850-000200	PACKING, 20.0	1	1	1					
21	2	41850-000530	PACKING, 53.0	1	1	1					
22	2	41850-000530	PACKING, 53.0	1	1	1					
23	1	194180-72950	PIN ASSY, LOCK	1	1	1					
24	1	198268-78610	COVER,WIRE	1	1	1					
25	1	22137-060000	WASHER 6, POLISHED	1	1	1					

Fig.137. LOWER LINK

(A)=EG765-KPQ
(B)=EG775-KPQ
(C)=EG782-KPQ

(D)=
(E)=
(F)=



Remarks
* THIS FIG. IS FOR TELESCOPIC
LOWER LINK TYPE.
(1) FOR CATEGORY1

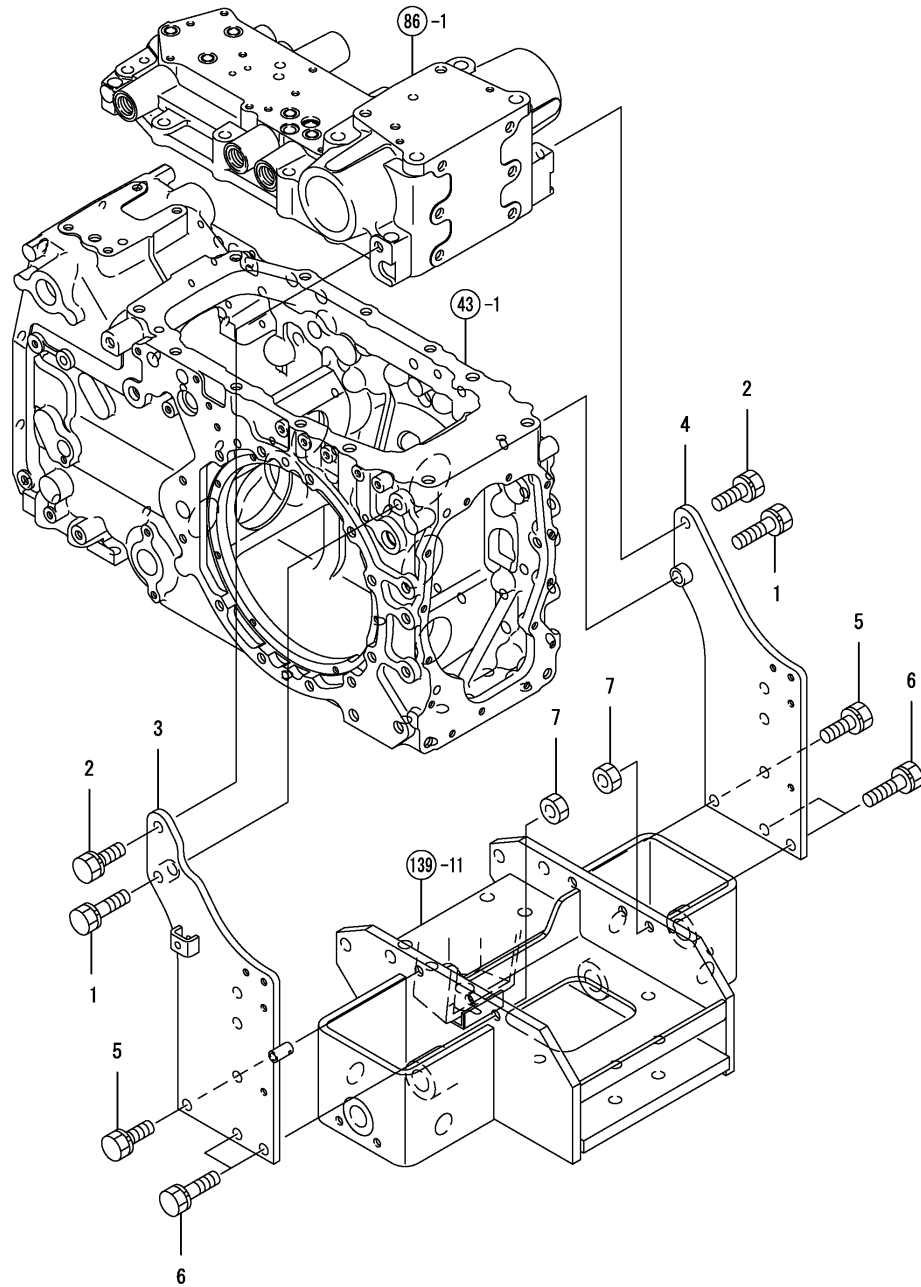
REF.	LEV.	PARTS NO.	DESCRIPTION	QTY						I	R
				(A)	(B)	(C)	(D)	(E)	(F)		
1	1	794130-71410	PIN ASSY,BALL SOCKET	2	2	2					
2	1	1A7450-73020	LOWER LINK ASSY	1	1	1					
3	2	1A7450-73500	LINK ASSY,LOWER T	1	1	1					
4	3	1A7450-73510	LINK,LOWER L FRONT	1	1	1					
5	3	1A7450-73520	LINK,LOWER L REAR	1	1	1					
6	3	1A7450-73570	LEVER,TELESCOPIC	1	1	1					
7	3	198155-73620	SPRING	1	1	1					
8	3	198268-73630	PIN,FLAT HEAD	2	2	2					
9	3	22417-400300	COTTER PIN 4.0X30	2	2	2					
10	2	1A7450-74010	CHAIN ASSY, CHECK	1	1	1					
11	3	1A6150-73700	SNAP PIN 16	1	1	1					
12	3	198153-74100	PIN,SHACKLE	1	1	1					
13	3	1A7450-74500	CHAIN ASSY, CHECK F	1	1	1					
14	3	1A7450-74600	CHAIN ASSY, CHECK R	1	1	1					
15	3	198475-74700	TURNBUCKLE M16	1	1	1					
16	3	22217-180000	SPRING WASHER 18	1	1	1					
17	3	22417-500250	PIN	1	1	1					
18	3	26737-180002	NUT M18	1	1	1					
19	2	1A7450-74540	COLLAR, 19X40X9	1	1	1					
20	1	1A7450-73030	LOWER LINK ASSY	1	1	1					
21	2	1A7450-73600	LINK ASSY,LOWER T	1	1	1					
22	3	1A7450-73570	LEVER,TELESCOPIC	1	1	1					
23	3	1A7450-73610	LINK,LOWER R FRONT	1	1	1					
24	3	198155-73620	SPRING	1	1	1					
25	3	1A7450-73620	LINK,LOWER R REAR	1	1	1					
26	3	198268-73630	PIN,FLAT HEAD	2	2	2					
27	3	22417-400300	COTTER PIN 4.0X30	2	2	2					
28	2	1A7450-74010	CHAIN ASSY, CHECK	1	1	1					
29	3	1A6150-73700	SNAP PIN 16	1	1	1					
30	3	198153-74100	PIN,SHACKLE	1	1	1					
31	3	1A7450-74500	CHAIN ASSY, CHECK F	1	1	1					
32	3	1A7450-74600	CHAIN ASSY, CHECK R	1	1	1					
33	3	198475-74700	TURNBUCKLE M16	1	1	1					
34	3	22217-180000	SPRING WASHER 18	1	1	1					
35	3	22417-500250	PIN	1	1	1					
36	3	26737-180002	NUT M18	1	1	1					
37	2	1A7450-74540	COLLAR, 19X40X9	1	1	1					
38	1	194145-73150	SPRING	1	1	1					
39	1	198151-73230	COLLAR 22X28X35,LINK	2	2	2					1
40	1	1A7450-73410	BRACKET,LOWER LINK L	1	1	1					
41	1	1A7450-73420	BRACKET,LOWER R LINK	1	1	1					
42	1	1A7450-73700	PIN,LOWER LINK	2	2	2					
43	1	22217-160000	SPRING WASHER 16	2	2	2					
44	1	22217-160000	SPRING WASHER 16	2	2	2					
45	1	22312-120220	PARALLEL PIN 12X22	2	2	2					
46	1	22312-120220	PARALLEL PIN 12X22	2	2	2					
47	1	26013-120352	BOLT M12X 35	4	4	4					
48	1	26013-120352	BOLT M12X 35	4	4	4					
49	1	26106-100162	BOLT M10X 16 PLATED	2	2	2					
50	1	26116-160402	BOLT M16X 40 PLATED	2	2	2					
51	1	26116-160402	BOLT M16X 40 PLATED	2	2	2					

N:Old $\frac{Yes}{No}$ New, Q:Old $\frac{No}{Yes}$ New, R:Old $\frac{Yes}{Yes}$ New, S:Old $\frac{No}{No}$ New, W:Add, Z:Discontinued, F:Interchangeable by set, K:Q'ty Change

Fig.138. DRAWBAR PLATE

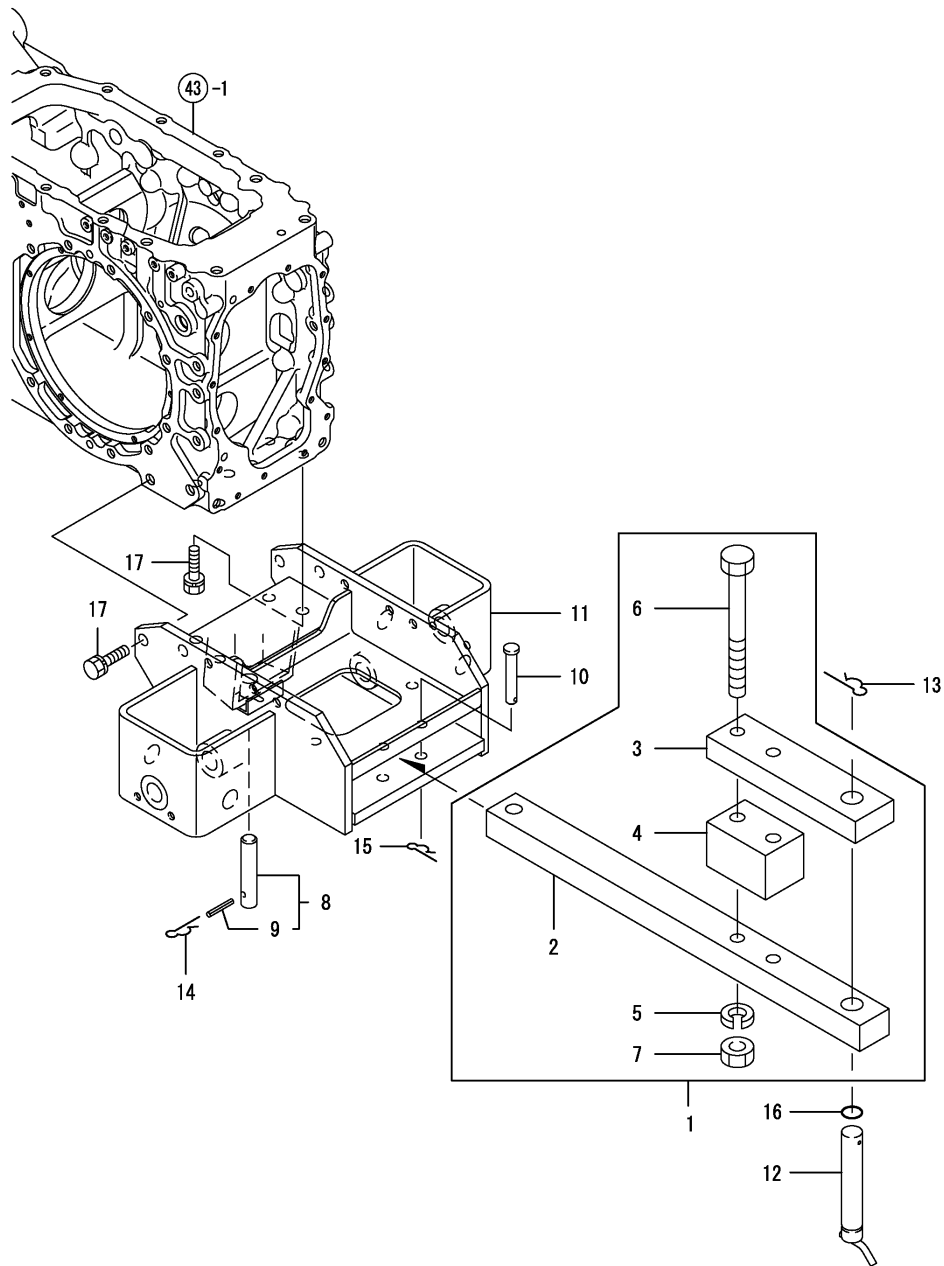
(A)=EG765-KPQ
 (B)=EG775-KPQ
 (C)=EG782-KPQ

(D)=
 (E)=
 (F)=



REF.	LEV.	PARTS NO.	DESCRIPTION	QTY						I	R
				(A)	(B)	(C)	(D)	(E)	(F)		
1	1	198220-11520	BOLT 12X38	2	2	2					
2	1	198240-21270	BOLT W/WASHER 12X30	2	2	2					
3	1	1A7450-75141	PLATE,DRAWBAR L	1	1	1					
4	1	1A7450-75151	PLATE,DRAWBAR R	1	1	1					
5	1	26013-120252	BOLT M12X 25	2	2	2					
6	1	26013-120402	BOLT M12X 40	4	4	4					
7	1	26716-120002	NUT 12	4	4	4					

Fig.139. DRAWBAR HITCH

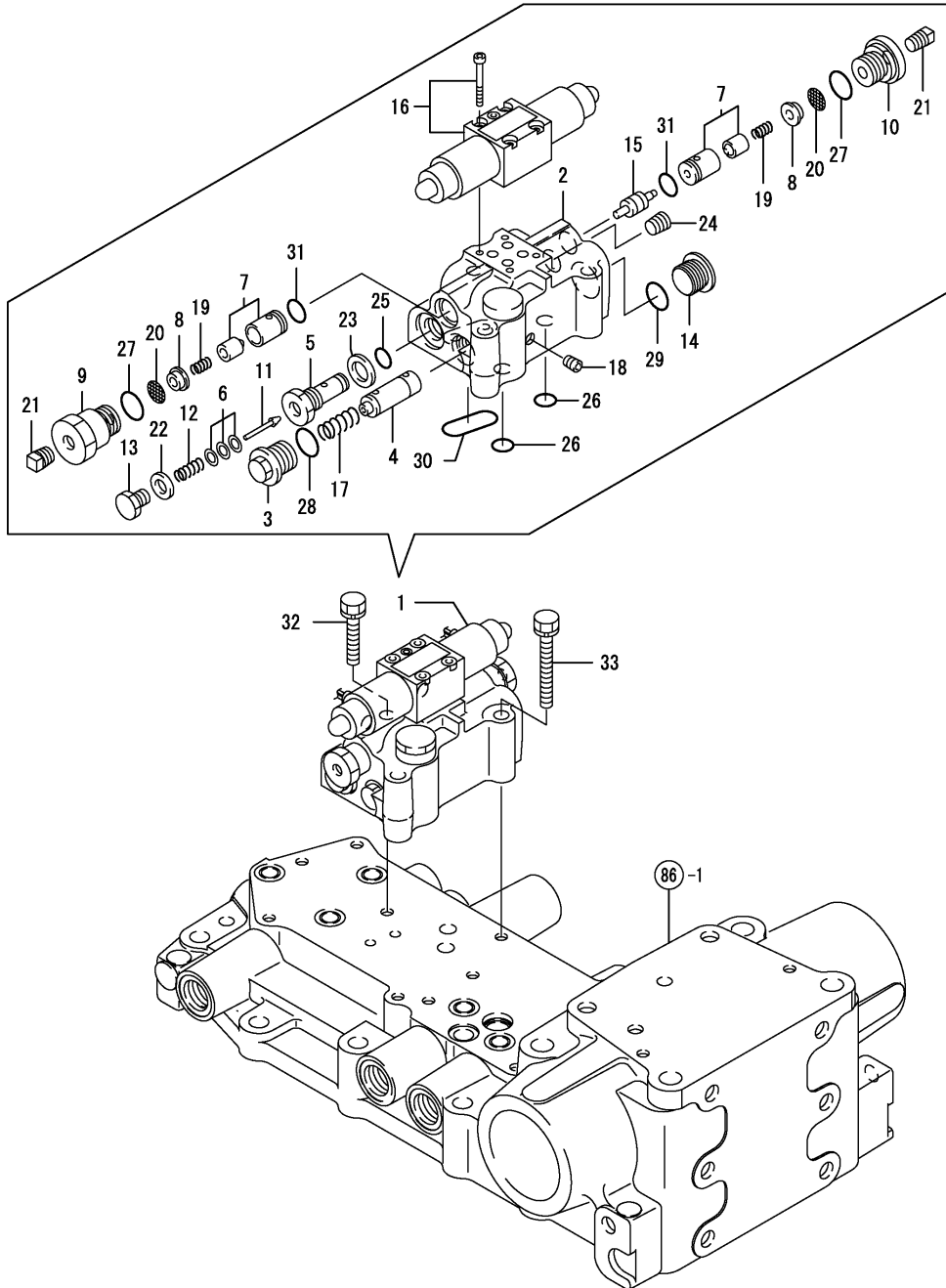


(A)=EG765-KPQ
(B)=EG775-KPQ
(C)=EG782-KPQ

(D)=
(E)=
(F)=

REF.	LEV.	PARTS NO.	DESCRIPTION	QTY						I	R
				(A)	(B)	(C)	(D)	(E)	(F)		
1	1	1A7450-75100	DRAWBER ASSY	1	1	1					
2	2	1A7450-75110	DRAWBER	1	1	1					
3	2	198268-75810	HITCH,LOWER	1	1	1					
4	2	198268-75820	SPACER,DRAWBAR	1	1	1					
5	2	22217-160000	SPRING WASHER 16	2	2	2					
6	2	26116-161552	BOLT 16*155	2	2	2					
7	2	26716-160002	NUT M16	2	2	2					
8	1	198448-75320	PIN	1	1	1					
9	2	22351-060040	SPRING PIN 6X40	1	1	1					
10	1	198448-75440	PIN STOPPER	2	2	2					
11	1	1A7450-75700	BRACKET, DRAWBER	1	1	1					
12	1	198268-75750	PIN COMP.,HITCH	1	1	1					
13	1	194080-75790	PIN 28, SNAP	1	1	1					
14	1	22360-200000	SNAP PIN 20	1	1	1					
15	1	22372-120000	SNAP PIN 12	2	2	2					
16	1	24311-000220	O-RING 1A P-22.0	1	1	1					
17	1	26013-140352	BOLT W/WASHER M14X35	8	8	8					

Fig.140. SWING



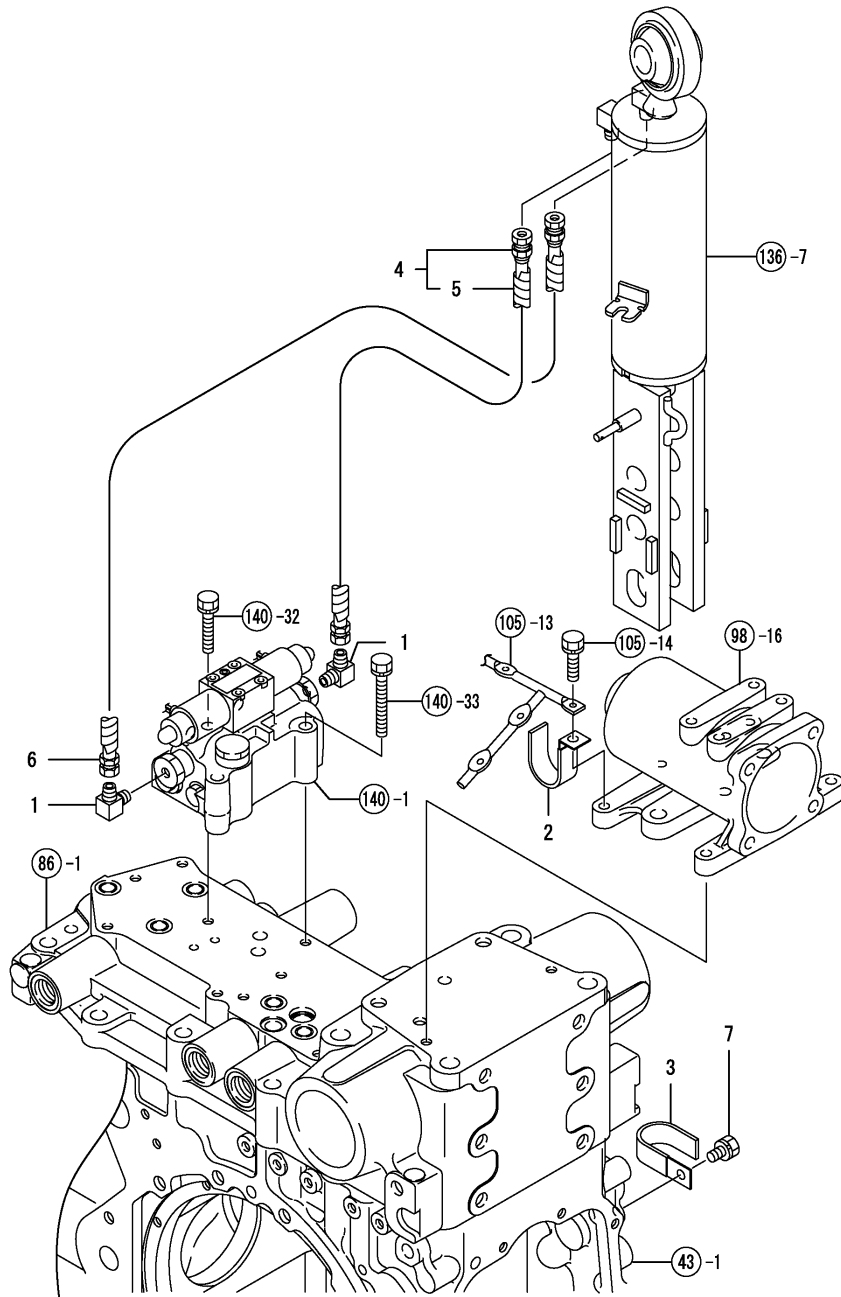
(A)=EG765-KPQ
 (B)=EG775-KPQ
 (C)=EG782-KPQ

(D)=
 (E)=
 (F)=

REF.	LEV.	PARTS NO.	DESCRIPTION	QTY						I	R	
				(A)	(B)	(C)	(D)	(E)	(F)			
1	1	1A7450-77201	VULV	1	1	1						
2	2	16826C-01020	VALVE BODY(12A	1	1	1						
3	2	16826C-02050	PLUG(FLOW CONT.	1	1	1						
4	2	16826C-02100	SPOOL(FLOW CONT. 12A	1	1	1						
5	2	178073-02320	CASE, RELIEF	1	1	1						
6	2	178073-02340	SHIM	1	1	1						
7	2	16826C-03010	CHECKVALVE CMP	2	2	2						
8	2	16826C-03050	RETANER(FILTER	2	2	2						
9	2	16826C-03100	PLUG(3.0	1	1	1						
10	2	16826C-03110	PLUG(1.1	1	1	1						
11	2	16826C-04060	PILOT VALVE	1	1	1						
12	2	178073-04310	SP(PILOT	1	1	1						
13	2	178073-04320	PLUG	1	1	1						
14	2	178076-05420	PLUG, G, 1/2	1	1	1						
15	2	178076-23300	PISTON,PILOT	1	1	1						
16	2	178076-23400	VALVE, SOLENOID	1	1	1						
17	2	198213-24700	SPRING, FLOW CONTROL	1	1	1						
18	2	194555-77120	PLUG	1	1	1						
19	2	198121-77280	SPRING,CHECK	2	2	2						
20	2	194680-77770	STRAINER	2	2	2						
21	2	23171-010000	PLUG PT1/8	2	2	2						
22	2	23414-100000	GASKET 10, ROUND	1	1	1						
23	2	23414-160000	GASKET 16, ROUND	1	1	1						
24	2	23871-020000	PLUG PT1/4,SCREW	1	1	1						
25	2	24315-000090	O-RING 1B P- 9.0	1	1	1						
26	2	24315-000160	O-RING 1B P-16.0	2	2	2						
27	2	24315-000180	O-RING 1B P-18.0	2	2	2						
28	2	24315-000180	O-RING 1B P-18.0	1	1	1						
29	2	24315-000180	O-RING 1B P-18.0	1	1	1						
30	2	24315-000240	O-RING 1B P-24.0	1	1	1						
31	2	24341-000140	O-RING 1A S-14.0	2	2	2						
32	1	26013-080402	BOLT M 8X 40	1	1	1						
33	1	26013-080602	BOLT M8X60	2	2	2						

Fig.141. HYDRAULIC HOSE

(A)=EG765-KPQ (D)=
 (B)=EG775-KPQ (E)=
 (C)=EG782-KPQ (F)=

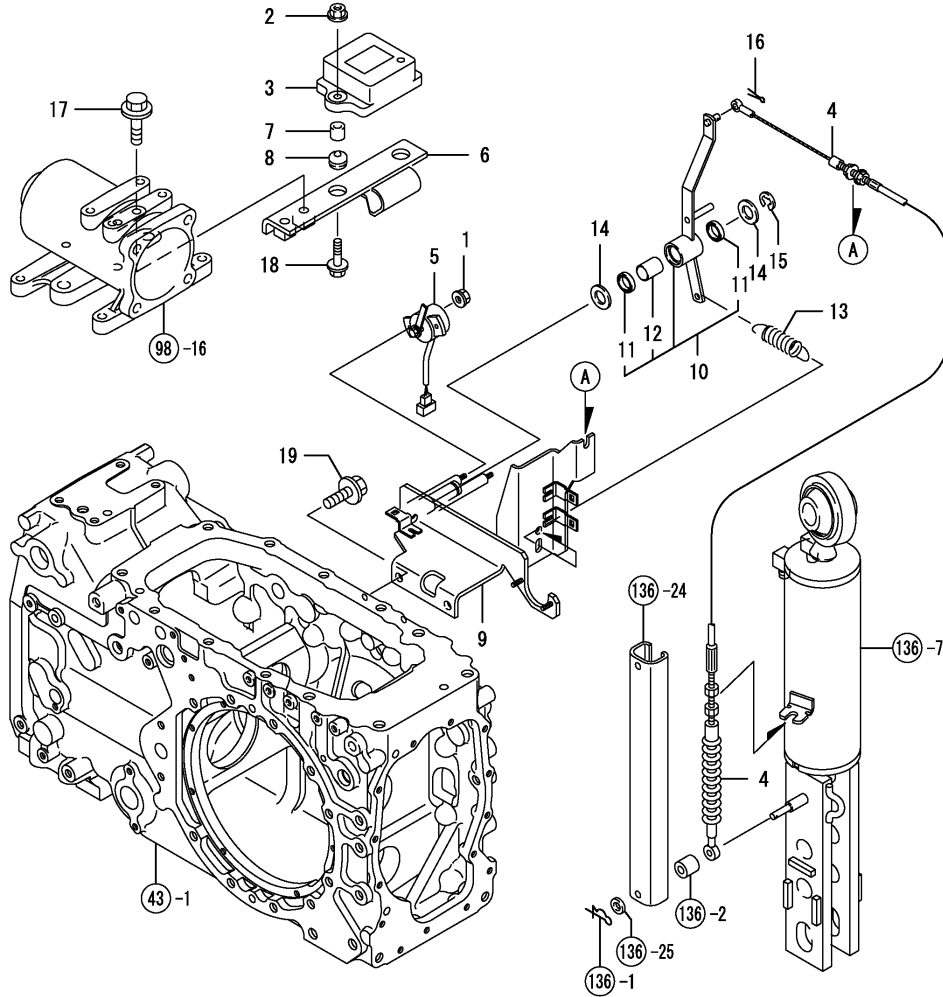


REF.	LEV.	PARTS NO.	DESCRIPTION	QTY						I	R
				(A)	(B)	(C)	(D)	(E)	(F)		
1	1	194065-38350	ADAPTER 1/8	2	2	2					
2	1	198448-51460	CLAMP, HARNESS B	1	1	1					
3	1	198448-51460	CLAMP, HARNESS B	1	1	1					
4	1	198361-77380	HOSE COMP.,HYDRAULIC	1	1	1					
5	2	198361-77371	HOSE	1	1	1					
6	1	1A7640-77380	HOSE ASSY, HYDRAULIC	1	1	1					
7	1	26013-080122	BOLT M 8X 12	1	1	1					

Fig.142. SWING SENSOR

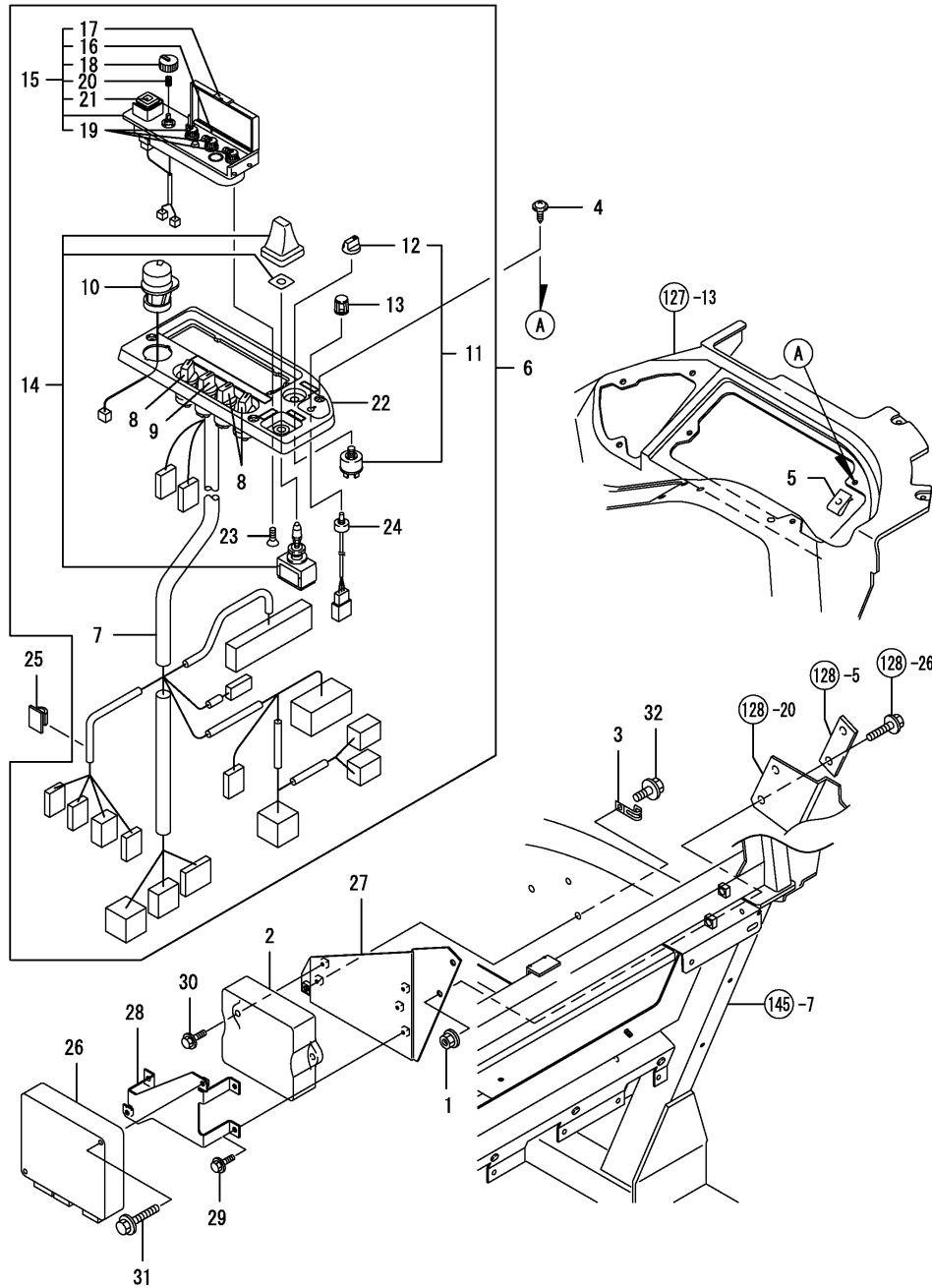
(A)=EG765-KPQ
 (B)=EG775-KPQ
 (C)=EG782-KPQ

(D)=
 (E)=
 (F)=



REF.	LEV.	PARTS NO.	DESCRIPTION	Q'TY						I	R
				(A)	(B)	(C)	(D)	(E)	(F)		
1	1	194990-22110	NUT, M4	2	2	2					
2	1	194990-22130	NUT W/WASHER 6	2	2	2					
3	1	1A7260-78150	SENSOR	1	1	1					
4	1	1A7450-78480	CABLE,S.F	1	1	1					
5	1	198448-78560	SENSOR,LIFT ANGLE	1	1	1					
6	1	1A7480-78610	PLATE,SENSOR	1	1	1					
7	1	1A7260-78700	SPACER, 11.3	2	2	2					
8	1	198129-78720	GROMMET, 10-16	2	2	2					
9	1	1A7480-78811	SUPPORT, SENSOR ARM	1	1	1					
10	1	1A7640-78900	ARM, S.F.	1	1	1					
11	2	198071-78790	SEAL G142003,OIL	2	2	2					
12	2	24550-014200	BUSH 14X20	1	1	1					
13	1	1A7640-78980	SPRING	1	1	1					
14	1	22117-140000	WASHER 14	2	2	2					
15	1	22272-000120	CIRCLIP E-12	1	1	1					
16	1	22417-160180	COTTER PIN 1.6X18	1	1	1					
17	1	26106-080302	BOLT M 8X 30 PLATED	2	2	2					
18	1	26106-060352	BOLT M 6X 35 PLATED	2	2	2					
19	1	26106-080162	BOLT M 8X 16 PLATED	2	2	2					

Fig.143. CONTROL BOX



(A)=EG765-KPQ
(B)=EG775-KPQ
(C)=EG782-KPQ

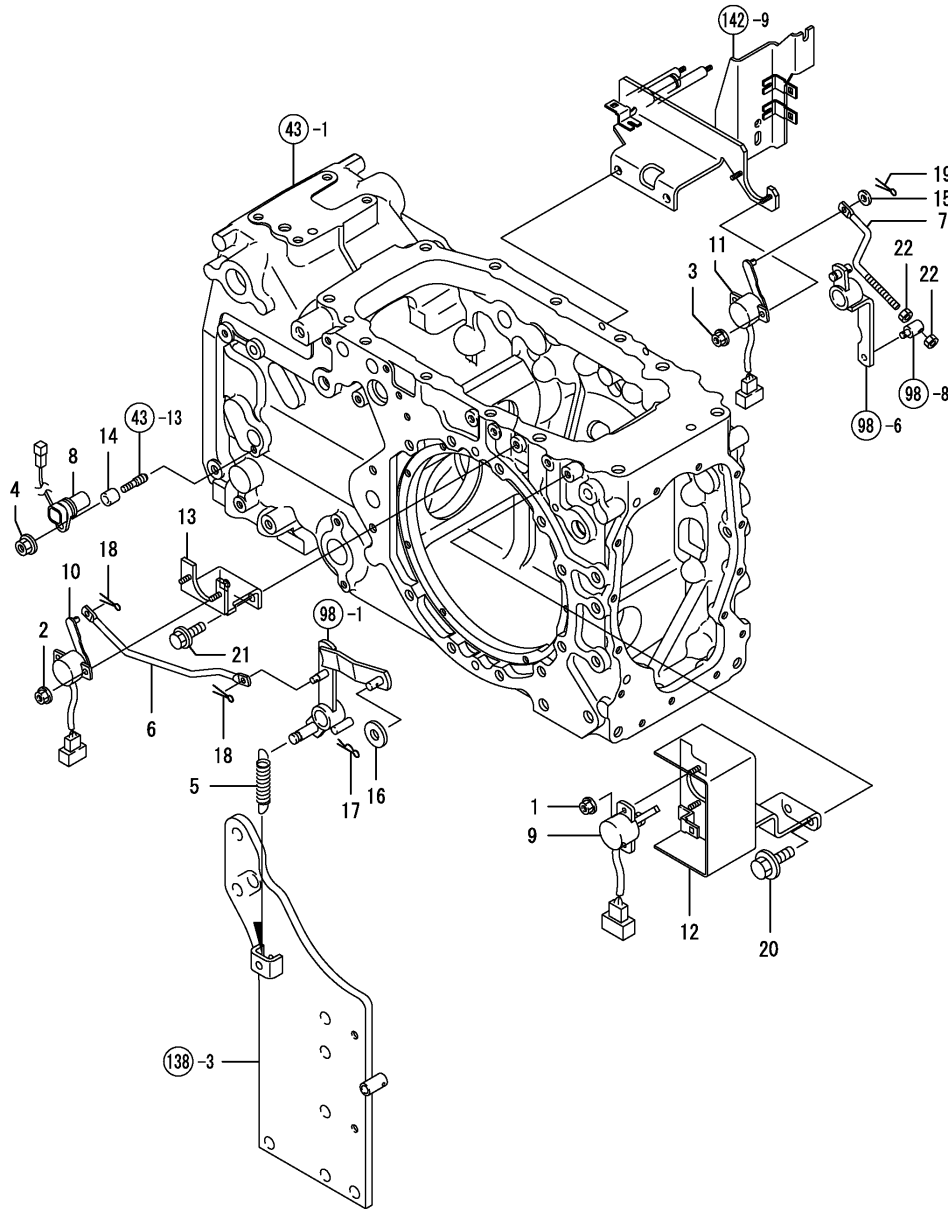
(D)=
(E)=
(F)=

REF.	LEV.	PARTS NO.	DESCRIPTION	QTY						I	R
				(A)	(B)	(C)	(D)	(E)	(F)		
1	1	194990-22140	NUT W/WASHER 8	2	2	2					
2	1	1A7480-25954	CONTROLLER,ASSY	1	1	1					
3	1	194440-51620	CLAMP, WIRE HARNESS	1	1	1					
4	1	194940-61790	SCREW 5X16	3	3	3					
4-1	1	194555-61640	SCREW M 5X 25	3	3	3					N
		(A="2008.05.) (B="2008.05.) (C="2008.05.)									
5	1	198220-63850	NUT 5	3	3	3					
6	1	1A7480-78330	CONTROL ASSY	1	1	1					
7	2	1A7480-51290	WIRING HARNESS,	1	1	1					
8	2	198448-52260	SWITCH, SELECTOR 2	3	3	3					
9	2	198448-52280	SWITCH, SELECTOR 3	1	1	1					
10	2	1A7340-52290	SWITCH,P.T.O.ON/OFF	1	1	1					
11	2	1A7450-52310	SWITCH,ASSY,SELECTOR	1	1	1					
12	3	1A7450-52330	KNOB	1	1	1					
13	2	1A7480-52350	KNOB ASSY,	1	1	1					
14	2	198121-55510	SWITCH,LIGHTING	1	1	1					
15	2	1A7620-78310	BOX ASSY, CONTROL	1	1	1					
16	3	198535-78420	SHAFT,	1	1	1					
17	3	198535-78430	COVER	1	1	1					
18	3	198535-78440	KNOB ASSY, SWITCH 1	1	1	1					
19	3	198535-78450	KNOB ASSY, SWITCH 2	3	3	3					
20	3	198535-78460	SPRING	4	4	4					
21	3	198535-78470	SWITCH,	1	1	1					
22	2	1A7480-78380	PANEL, OPERATION	1	1	1					
23	2	198071-78420	SCREW M5X10,TAPPING	1	1	1					
24	2	1E8540-82050	VOLUME	1	1	1					
25	1	194680-78350	STICKER 18,WIRE	1	1	1					
26	1	1A7450-78353	CONTROL UNIT, UFO.	1	1	1					
27	1	1A7480-78410	BRACKET,CONTROL UNIT	1	1	1					
28	1	1A7480-78430	BRACKET,CONTROL UNIT	1	1	1					
29	1	26106-060122	BOLT M 6X 12 PLATED	3	3	3					
30	1	26106-060202	BOLT M 6X 20 PLATED	2	2	2					
31	1	26106-060452	BOLT M 6X 45 PLATED	2	2	2					
32	1	26106-080162	BOLT M 8X 16 PLATED	1	1	1					

Fig.144. SENSOR

(A)=EG765-KPQ
 (B)=EG775-KPQ
 (C)=EG782-KPQ

(D)=
 (E)=
 (F)=

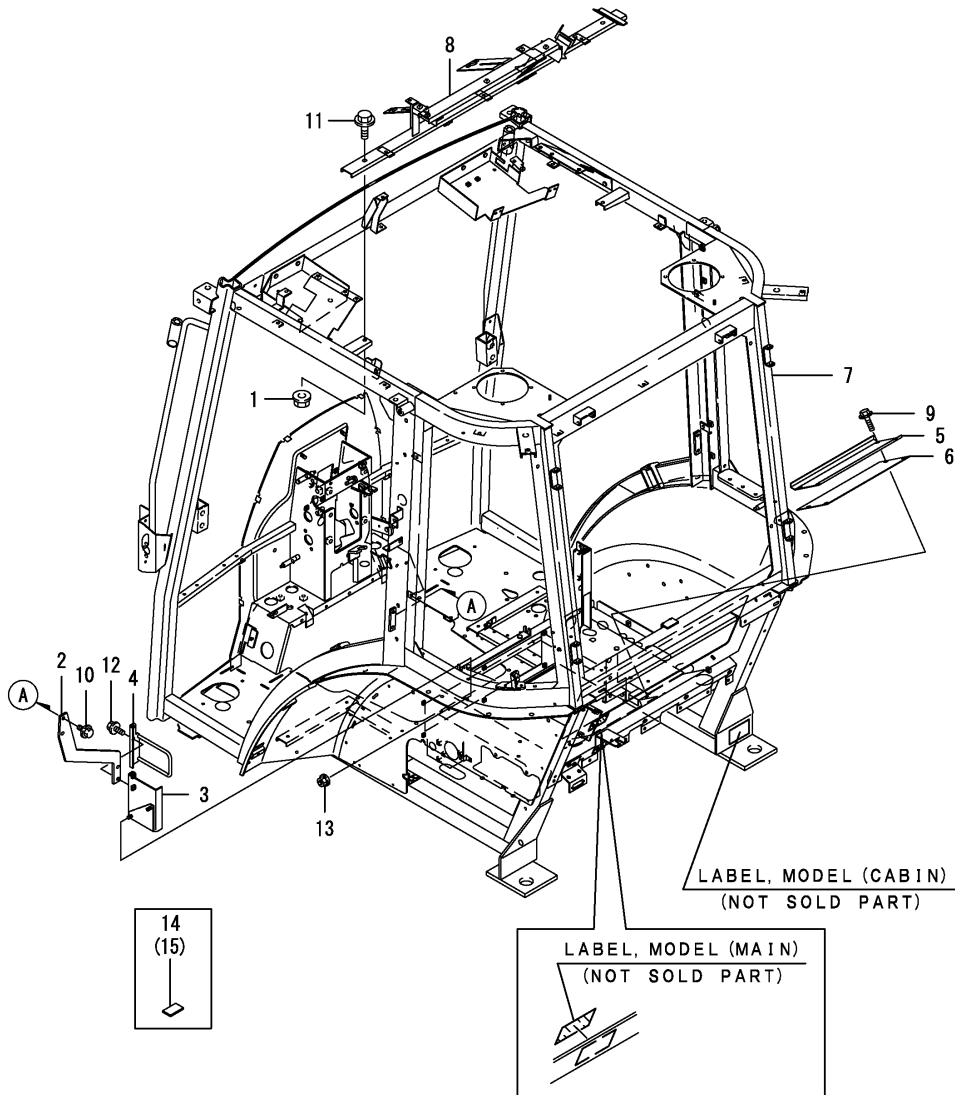


REF.	LEV.	PARTS NO.	DESCRIPTION	QTY						I	R
				(A)	(B)	(C)	(D)	(E)	(F)		
1	1	194990-22110	NUT, M4	2	2	2					
2	1	194990-22110	NUT, M4	2	2	2					
3	1	194990-22110	NUT, M4	2	2	2					
4	1	194990-22130	NUT W/WASHER 6	1	1	1					
5	1	198220-22520	SPRING,CLUTCH	1	1	1					
6	1	1A7450-47510	ROD,FEEDBACK	1	1	1					
7	1	1A7450-47520	ROD,FEEDBACK	1	1	1					
8	1	1A7450-52510	SENSOR,ROTATION	1	1	1					
9	1	198448-78560	SENSOR,LIFT ANGLE	1	1	1					
10	1	198360-78571	SENSOR,REAR COVER F	1	1	1					
11	1	198360-78571	SENSOR,REAR COVER F	1	1	1					
12	1	1A7450-78571	BRACKET, SENSOR	1	1	1					
13	1	1A7450-78691	BRACKET, SENSOR	1	1	1					
14	1	198129-78710	SPACER, 6-10	1	1	1					
15	1	22137-050000	WASHER 5, POLISHED	1	1	1					
16	1	22137-080000	WASHER 8, POLISHED	1	1	1					
17	1	22360-080000	SNAP PIN 8	1	1	1					
18	1	22417-160180	COTTER PIN 1.6X18	2	2	2					
19	1	22417-160180	COTTER PIN 1.6X18	1	1	1					
20	1	26106-080162	BOLT M 8X 16 PLATED	2	2	2					
21	1	26106-080162	BOLT M 8X 16 PLATED	2	2	2					
22	1	26756-060002	LOCK NUT 6	2	2	2					

Fig.145. CABIN FRAME(CABIN)

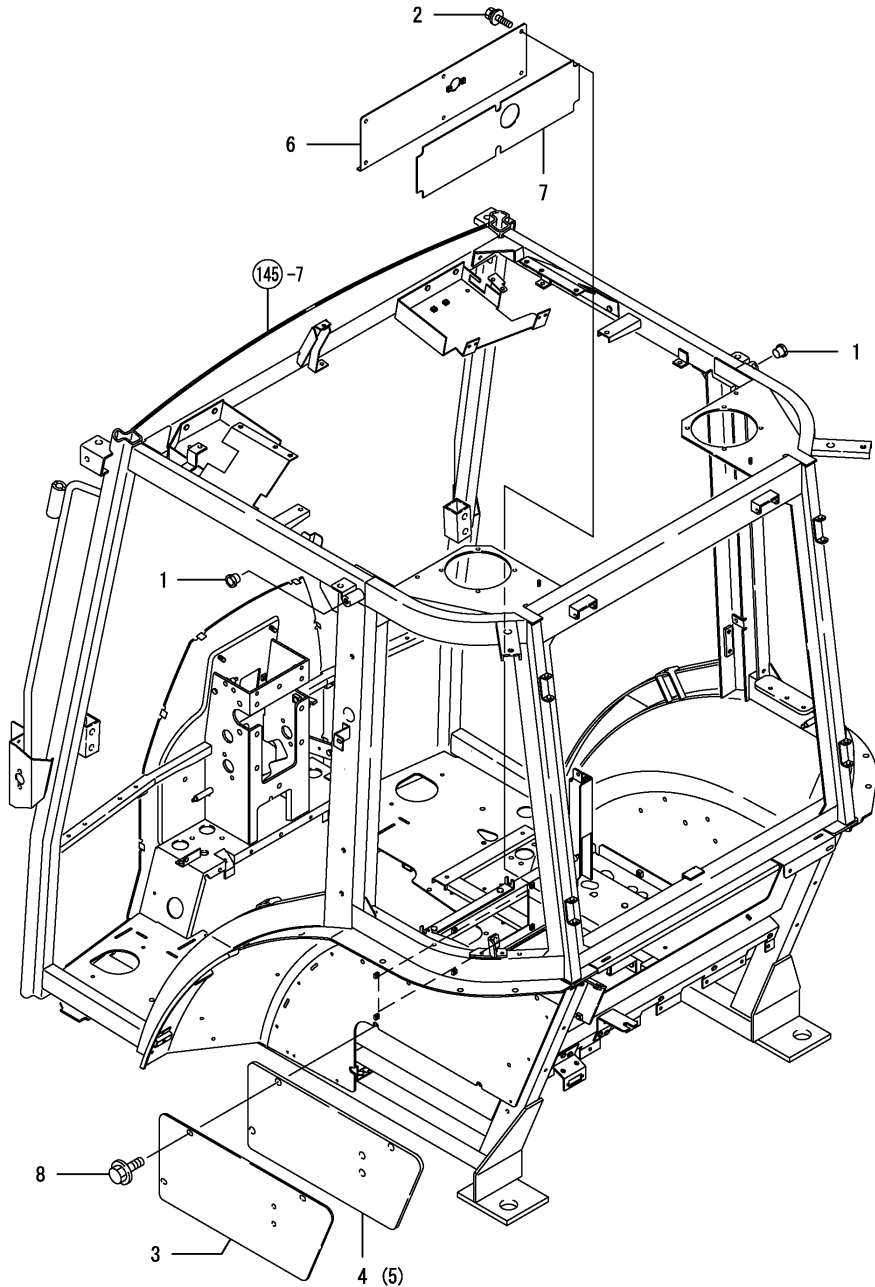
(A)=EG765-KPQ
 (B)=EG775-KPQ
 (C)=EG782-KPQ

(D)=
 (E)=
 (F)=



REF.	LEV.	PARTS NO.	DESCRIPTION	QTY						I	R
				(A)	(B)	(C)	(D)	(E)	(F)		
1	1	194990-22140	NUT W/WASHER 8	2	2	2					
2	1	1A7470-62410	SUPPORT,FENDER	1	1	1					
3	1	1A7470-62420	BRACKET,FENDER SUPPO	1	1	1					
4	1	1A7470-62450	GUIDE,A/C HOSE	1	1	1					
5	1	1A7470-63660	COVER,DUST R	1	1	1					
6	1	1A7470-63680	SEAL, DUST COVER R	1	1	1					
7	1	1A7470-81012	FRAME M ASSY, CABIN	1	1	1					
8	1	1A7470-81190	FRAME ASSY, ROOF	1	1	1					
9	1	198460-83350	BOLT M8X16,BC COLLAR	4	4	4					
10	1	26106-080122	BOLT M 8X 12 PLATED	2	2	2					
11	1	26106-080162	BOLT M 8X 16 PLATED	2	2	2					
12	1	26106-080202	BOLT M 8X 20 PLATED	2	2	2					
13	1	26366-080002	NUT M 8	2	2	2					
14	1	198093-84810	SEAL,FENDER	2	2	2					W
		(A="2009.04.) (B="2009.04.) (C="2009.04.)									
15	1	198093-84810	SEAL,FENDER	2	2	2					W
		(A="2009.04.) (B="2009.04.) (C="2009.04.)									

Fig.146. CABIN FRAME(MAIN



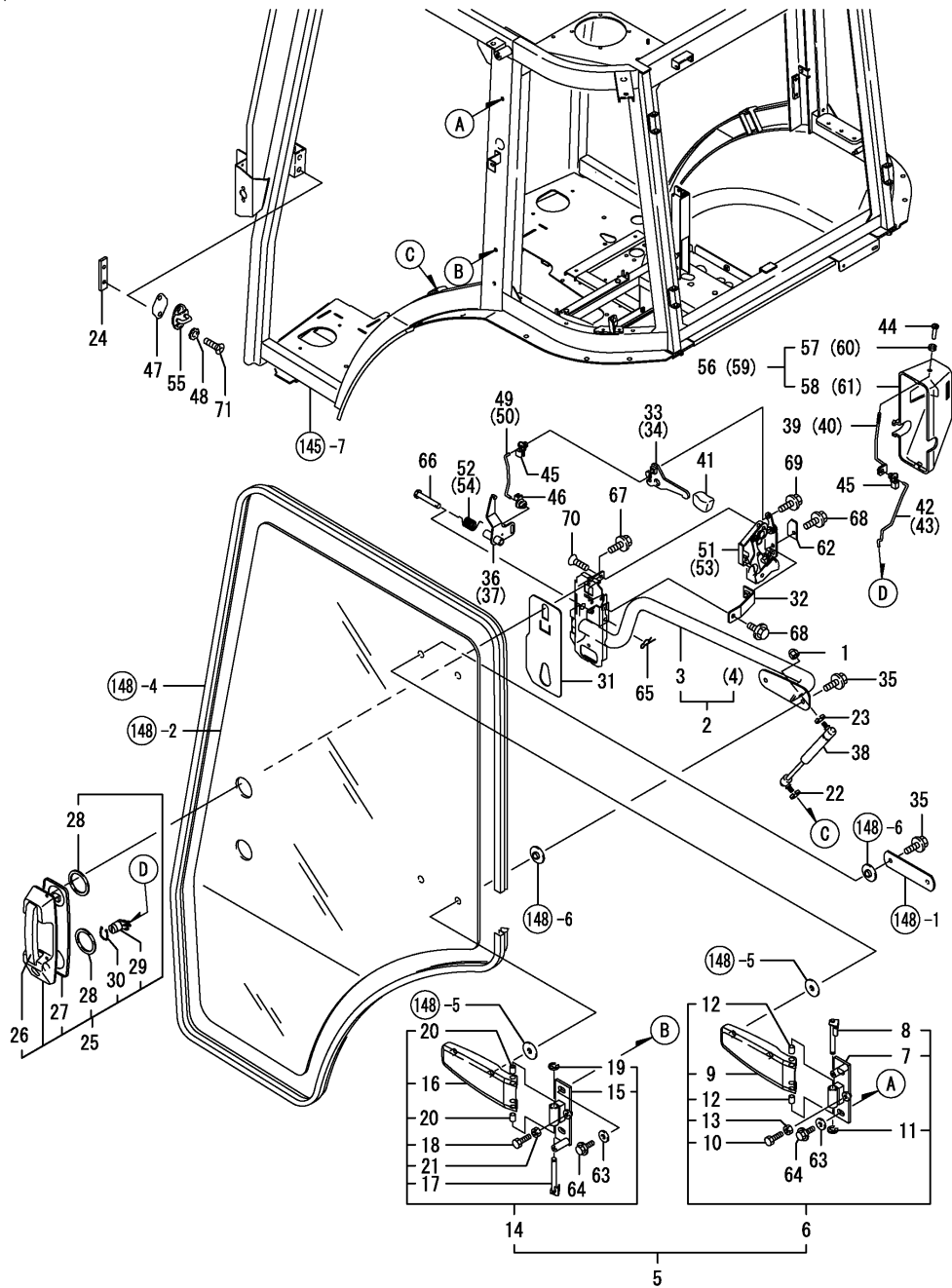
OCNP4-G99000 146. CABIN FRAME(MAIN

(A)=EG765-KPQ
 (B)=EG775-KPQ
 (C)=EG782-KPQ

(D)=
 (E)=
 (F)=

REF.	LEV.	PARTS NO.	DESCRIPTION	Q'TY						I	R
				(A)	(B)	(C)	(D)	(E)	(F)		
1	1	194150-21910	PLUG 11.2	2	2	2					
2	1	198461-60590	BOLT 6* 20	6	6	6					
3	1	198463-62170	COVER, FENDER	2	2	2					
4	1	198463-62460	SEAL, FENDER COVER L	1	1	1					
5	1	198463-62470	SEAL, FENDER COVER R	1	1	1					
6	1	1A7470-63620-1	COVER,DUST F	1	1	1					
7	1	1A7470-63640	SEAL, DUST COVER F	1	1	1					
8	1	26106-080162	BOLT M 8X 16 PLATED	6	6	6					

Fig.147. DOOR



(A)=EG765-KPQ
(B)=EG775-KPQ
(C)=EG782-KPQ

(D)=
(E)=
(F)=

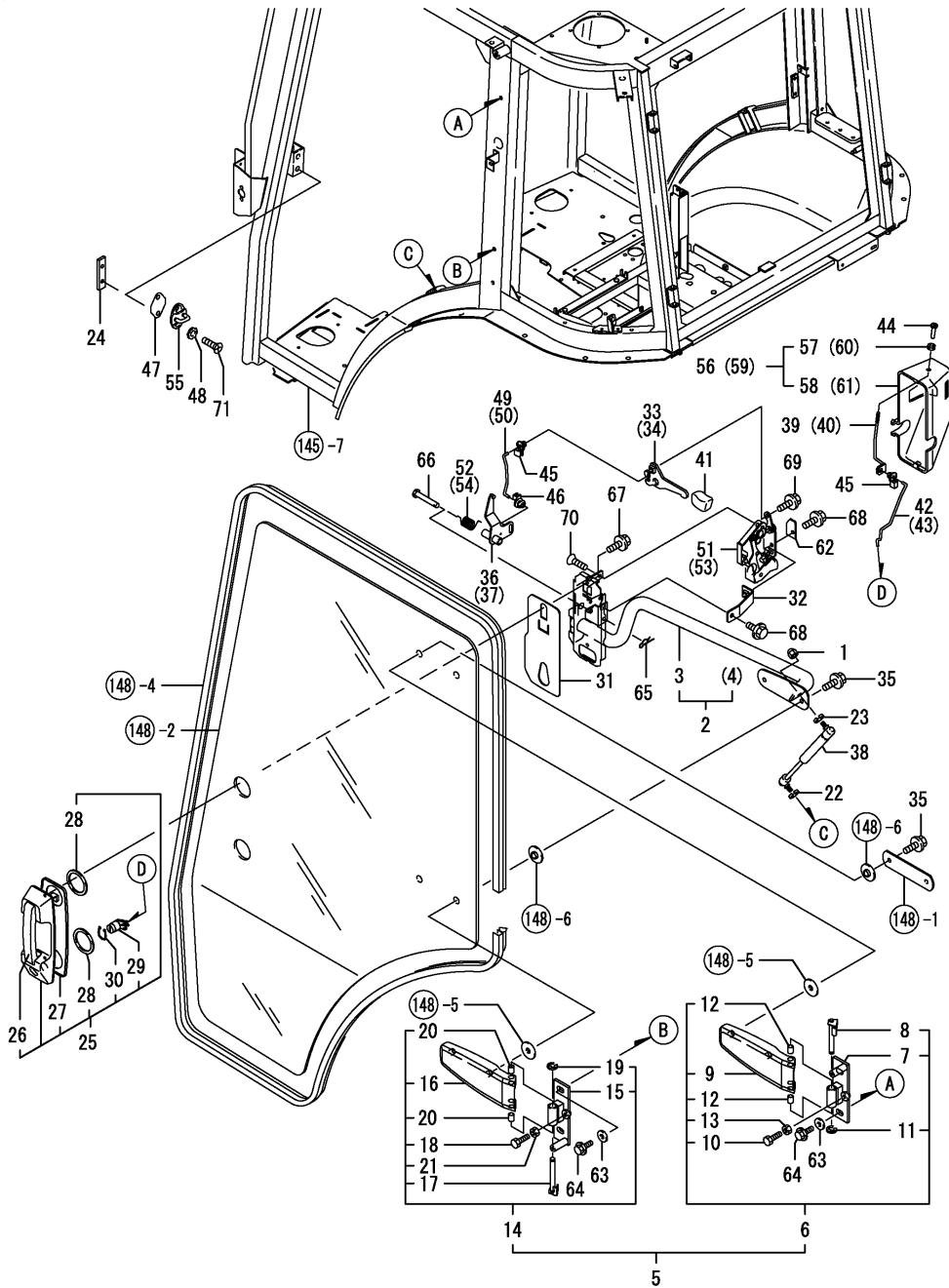
REF.	LEV.	PARTS NO.	DESCRIPTION	QTY						I	R
				(A)	(B)	(C)	(D)	(E)	(F)		
1	1	194697-47150	NUT M8,HIGH CAP	2	2	2					
2	1	1A7470-82070	FRAME KIT, DOOR	1	1	1					
3	2	1A7470-82100	FRAME ASSY,DOOR L	1	1	1					
4	2	1A7470-82110	FRAME ASSY,DOOR R	1	1	1					
5	1	1A7470-82200	HINGE KIT,	2	2	2					
6	2	1A7470-82270	HINGE ASSY,1	2	2	2					
7	3	1A7470-82250	HINGE, B1	2	2	2					
8	3	1A7470-82370	PIN A, HINGE	2	2	2					
9	3	1A7320-82380	HINGE, DOOR A	2	2	2					
10	3	1A7320-82460	BOLT 8X16	2	2	2					
11	3	22272-000100	CIRCLIP E-10	2	2	2					
12	3	24550-012150	BUSH 12X15	4	4	4					
13	3	26756-080002	LOCK NUT M 8 PLATED	2	2	2					
14	2	1A7470-82280	HINGE ASSY,2	2	2	2					
15	3	1A7470-82260	HINGE, B2	2	2	2					
16	3	1A7320-82380	HINGE, DOOR A	2	2	2					
17	3	1A7470-82380	PIN B, HINGE	2	2	2					
18	3	1A7320-82460	BOLT 8X16	2	2	2					
19	3	22272-000100	CIRCLIP E-10	2	2	2					
20	3	24550-012150	BUSH 12X15	4	4	4					
21	3	26756-080002	LOCK NUT M 8 PLATED	2	2	2					
22	1	198268-82270	SPRING WASHER 8	2	2	2					
23	1	198268-82270	SPRING WASHER 8	2	2	2					
24	1	198463-82350	PLATE, DOOR LOCK	2	2	2					
25	1	1A7470-82400	HANDLE ASSY, OUTER	2	2	2					
26	2	1A7470-82410	HANDLE ASSY, BODY	2	2	2					
27	2	1A7470-82420	SEAT,OUT HANDLE	2	2	2					
28	2	1A7470-82580	SEAL HANDLEDOOR	4	4	4					
29	2	1A7470-82880	KEY CYLINDER	2	2	2					
30	2	1A7470-82890	PIN,KEYCYLINDER	2	2	2					
31	1	1A7470-82440	SEAL, LATCH COVER	2	2	2					
32	1	1A7470-82450	STAY, DOOR LOCK	2	2	2					
33	1	1A7470-82471	LEVER,DOOR INSIDE L	1	1	1					
34	1	1A7470-82481	LEVER,DOOR INSIDE R	1	1	1					
35	1	198093-82510	BOLT M8X25,COLLAR	8	8	8					
36	1	1A7470-82510	LEVER,OPEN OUTSIDE L	1	1	1					
37	1	1A7470-82520	LEVER,OPEN OUTSIDE R	1	1	1					
38	1	198463-82550	DAMPER, GAS DOOR	2	2	2					
39	1	1A7470-82560	ROD L,INSIDE LOCK	1	1	1					
40	1	1A7470-82570	ROD R,INSIDE LOCK	1	1	1					
41	1	198492-82590	KNOB, DOOR HANDLE	2	2	2					
42	1	1A7470-82640	ROD L,KEY CYLINDER	1	1	1					
43	1	1A7470-82650	ROD R,KEY CYLINDER	1	1	1					
44	1	1A7470-82660	KNOB,INSIDE LOCK	2	2	2					
45	1	1A7470-82670	BUSH A,LINK	4	4	4					
46	1	1A7470-82680	BUSH B,LINK	2	2	2					
47	1	198255-82690	SPACER,STRIKER	2	2	2					
48	1	198255-82701	WASHER, 8	4	4	4					
49	1	1A7470-82720	ROD L,OPEN LEVER	1	1	1					
50	1	1A7470-82730	ROD R,OPEN LEVER	1	1	1					
51	1	1A7320-82750	LOCK ASSY, DOOR L.H.	1	1	1					

N:Old $\begin{matrix} \text{Yes} \\ \text{No} \end{matrix}$ New, Q:Old $\begin{matrix} \text{No} \\ \text{Yes} \end{matrix}$ New, R:Old $\begin{matrix} \text{Yes} \\ \text{No} \end{matrix}$ New, S:Old $\begin{matrix} \text{No} \\ \text{Yes} \end{matrix}$ New, W:Add, Z:Discontinued, F:Interchangeable by set, K:Q'ty Change
++ CONTINUE ++
(C)Copy Rights YANMAR CO.,LTD.

Fig.147. DOOR

(A)=EG765-KPQ
(B)=EG775-KPQ
(C)=EG782-KPQ

(D)=
(E)=
(F)=



REF.	LEV.	PARTS NO.	DESCRIPTION	QTY						I	R
				(A)	(B)	(C)	(D)	(E)	(F)		
52	1	1A7470-82750	SPRING L,DOOR LOCK	1	1	1					
53	1	1A7320-82760	LOCK ASSY, DOOR R.H.	1	1	1					
54	1	1A7470-82760	SPRING R,DOOR LOCK	1	1	1					
55	1	1A7320-82770	STRIKER, DOOR LOCK	2	2	2					
56	1	1A7470-82800	COVER, LATCH L UNIT	1	1	1					
57	2	198071-58810	GROMMET 8	1	1	1					
58	2	1A7470-82810	COVER, LATCH L.H.	1	1	1					
59	1	1A7470-82900	COVER, LATCH R UNIT	1	1	1					
60	2	198071-58810	GROMMET 8	1	1	1					
61	2	1A7470-82820	COVER, LATCH R.H.	1	1	1					
62	1	1A7470-82950	PLATE(LEVER	2	2	2					
63	1	198255-83550	WASHER 8,BC,PLAIN	8	8	8					
64	1	1A6280-85540	BOLT M 8X 20 PLATED	8	8	8					
65	1	22372-080000	SNAP PIN (JASO 8)	2	2	2					
66	1	22487-080450	PIN 8X 45	2	2	2					
67	1	26106-060122	BOLT M 6X 12 PLATED	4	4	4					
68	1	26106-060122	BOLT M 6X 12 PLATED	4	4	4					
69	1	26106-060122	BOLT M 6X 12 PLATED	2	2	2					
70	1	26577-060202	SCREW M 6X 20	6	6	6					
71	1	26577-080252	SCREW M 8X 25	4	4	4					

Fig.148. DOOR WINDOW

(A)=EG765-KPQ
 (B)=EG775-KPQ
 (C)=EG782-KPQ

(D)=
 (E)=
 (F)=

REF.	LEV.	PARTS NO.	DESCRIPTION	QTY						I	R
				(A)	(B)	(C)	(D)	(E)	(F)		
1	1	1A7320-82150	PLATE, DOOR GLASS	2	2	2					
2	1	1A7470-82610	GLASS, DOOR L.H.	1	1	1					
3	1	1A7470-82620	GLASS, DOOR R.H.	1	1	1					
4	1	198463-82632	WEATHER-STRIP, DG	2	2	2					
5	1	198463-82640	RUBBER, CUSHION B	8	8	8					
6	1	198255-82650	RUBBER A, GL.CUSHION	8	8	8					

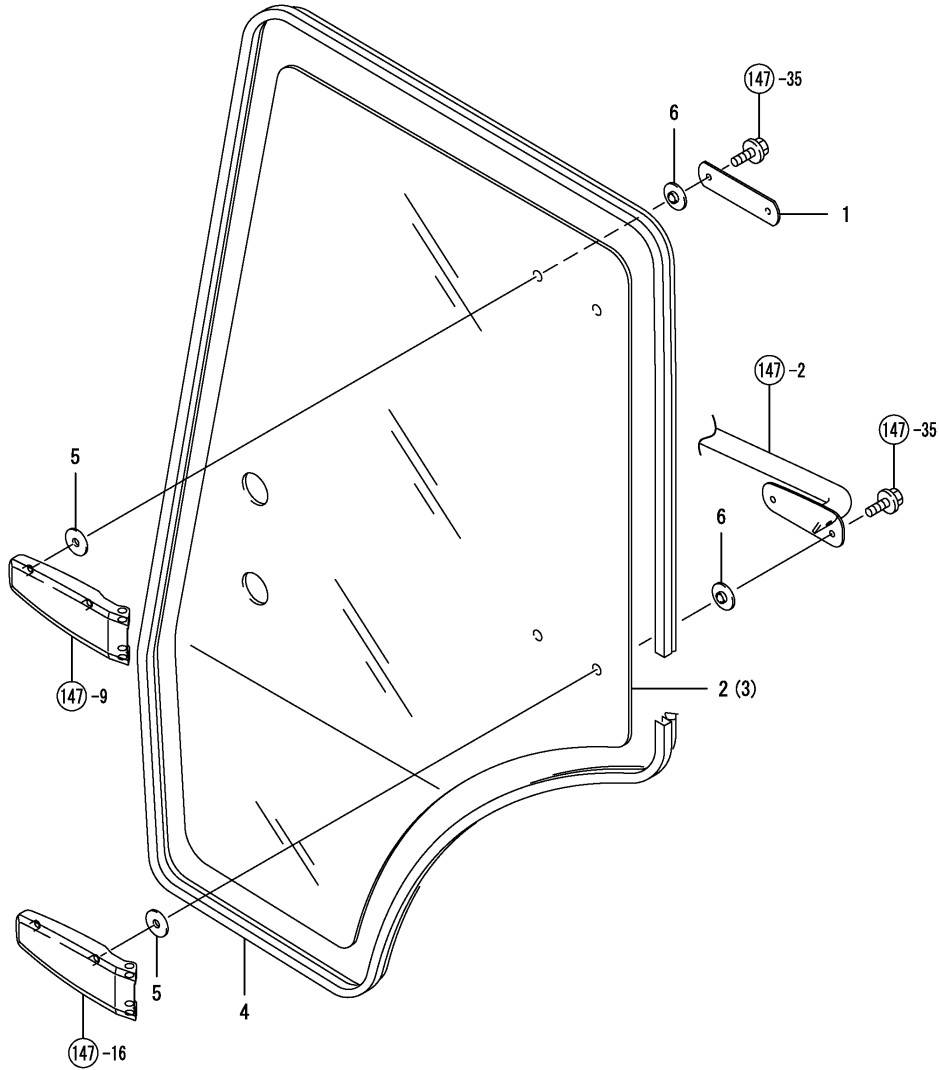
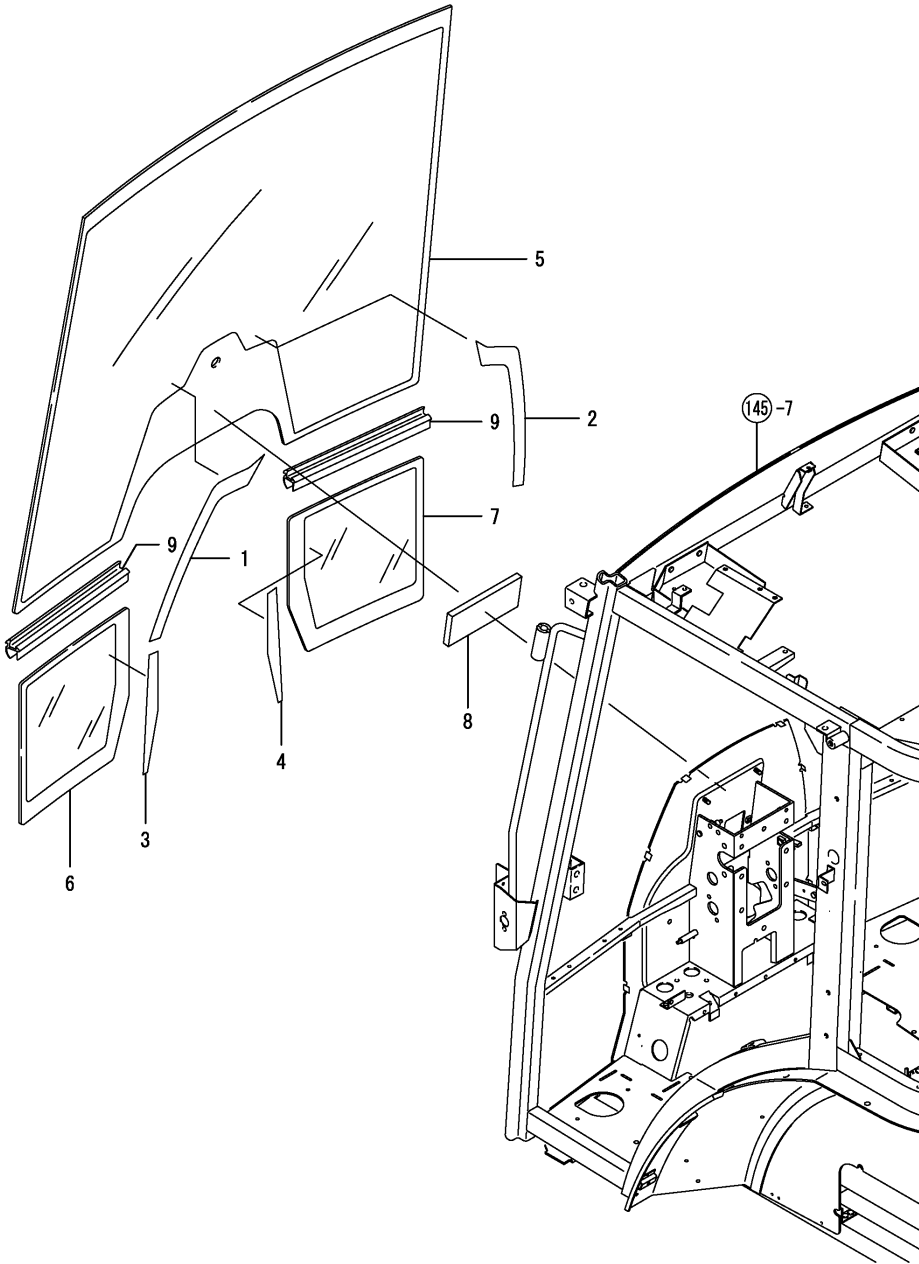


Fig.149. FRONT WINDOW

(A)=EG765-KPQ
 (B)=EG775-KPQ
 (C)=EG782-KPQ

(D)=
 (E)=
 (F)=

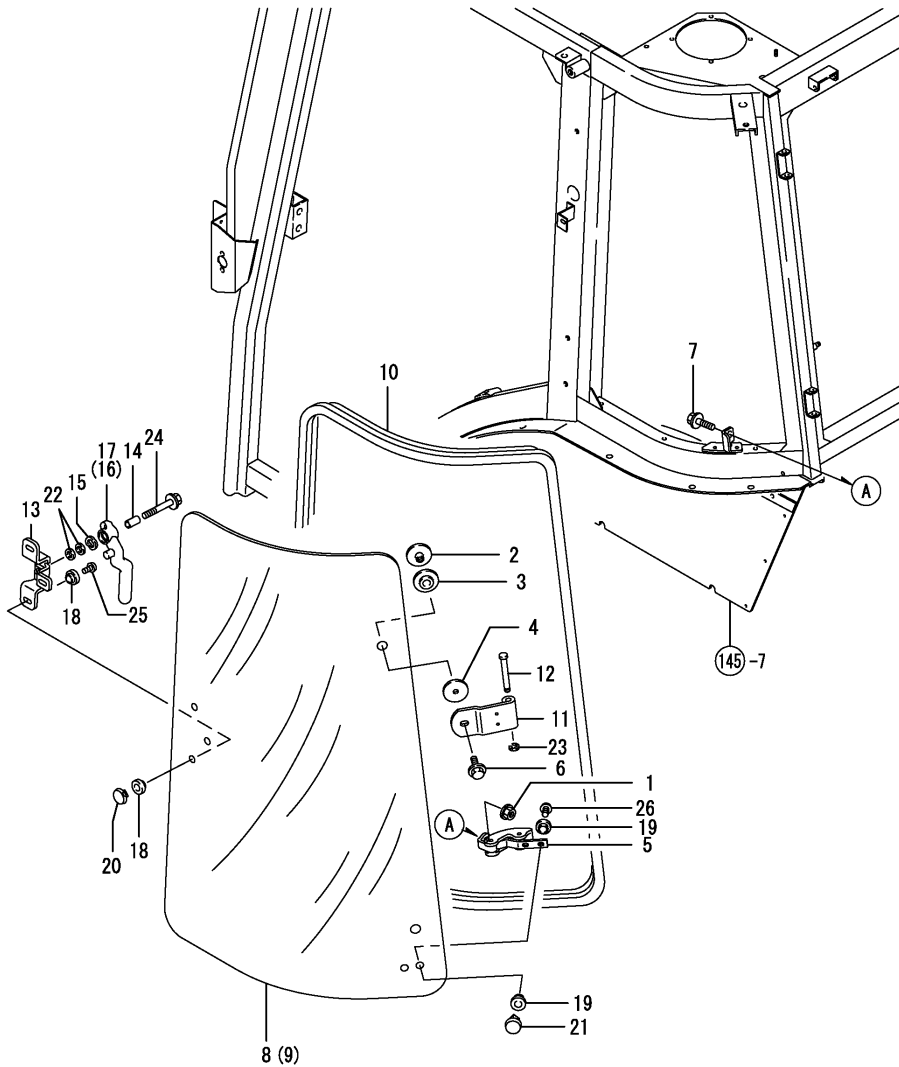


REF.	LEV.	PARTS NO.	DESCRIPTION	QTY						I	R
				(A)	(B)	(C)	(D)	(E)	(F)		
1	1	1A7470-60700	FILM, FRONT GLASS	1	1	1					
2	1	1A7470-60710	FILM, FRONT GLASS	1	1	1					
3	1	174841-60720	FILM, FRONT GLASS	1	1	1					
4	1	174841-60730	FILM, FRONT GLASS	1	1	1					
5	1	198463-83110	GLASS(FRONT	1	1	1					
6	1	198463-83150	GLASS L,FRONT LOWER	1	1	1					
7	1	198463-83160	GLASS R,FRONT LOWER	1	1	1					
8	1	198463-83230	SEAL, FRONT GLASS	1	1	1					
9	1	198463-83250	MOLD, GLASS	2	2	2					

Fig.150. SIDE WINDOW

(A)=EG765-KPQ
(B)=EG775-KPQ
(C)=EG782-KPQ

(D)=
(E)=
(F)=

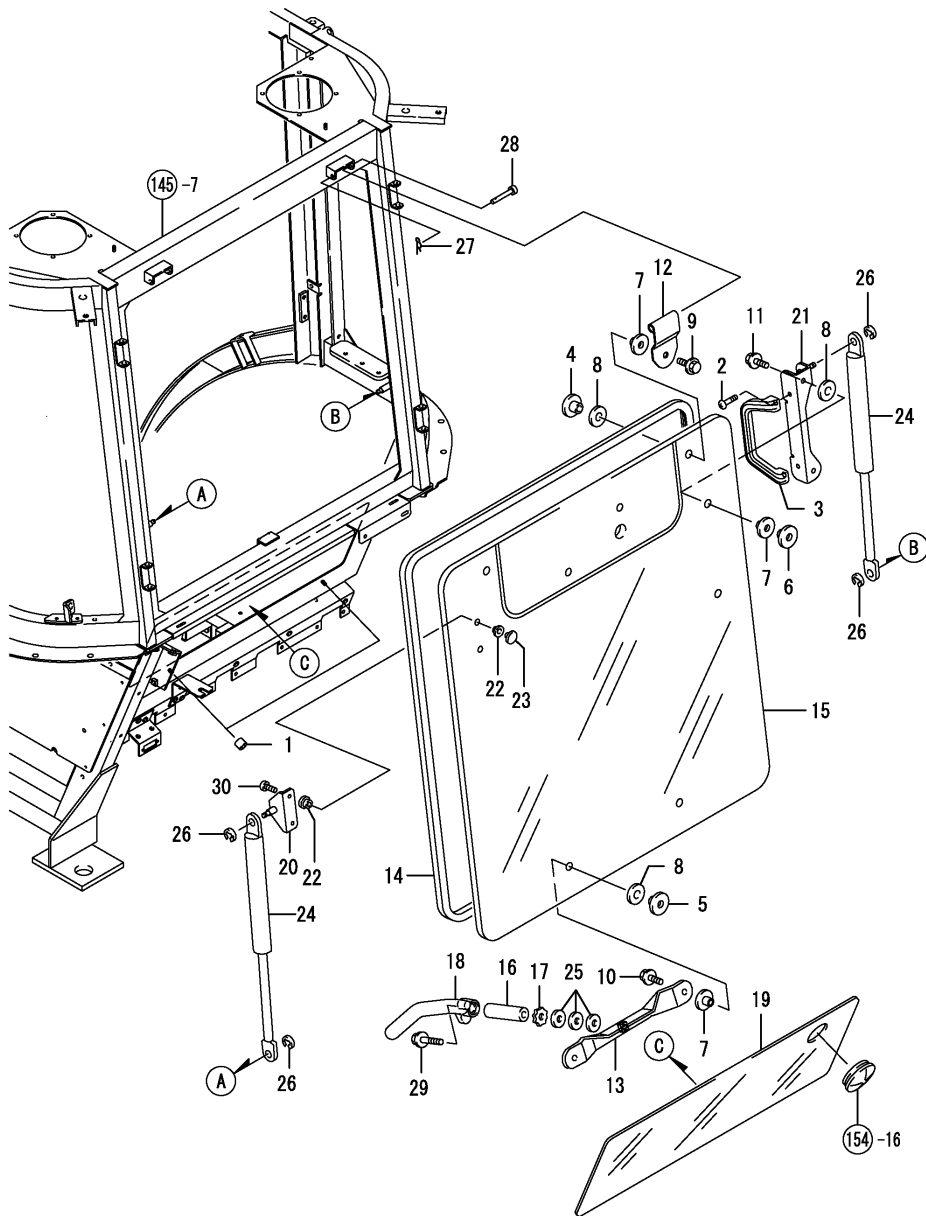


REF.	LEV.	PARTS NO.	DESCRIPTION	QTY						I	R
				(A)	(B)	(C)	(D)	(E)	(F)		
1	1	194990-22140	NUT W/WASHER 8	2	2	2					
2	1	198094-82550	BOLT	4	4	4					
3	1	198255-82650	RUBBER A, GL.CUSHION	4	4	4					
4	1	198255-82660	RUBBER B, GL.CUSHION	4	4	4					
5	1	198255-82850	CLOCK COMP., QUARTZ	2	2	2					
6	1	198460-83350	BOLT M8X16, BC COLLAR	4	4	4					
7	1	198460-83350	BOLT M8X16, BC COLLAR	2	2	2					
8	1	198463-83411	GLASS L, SIDE	1	1	1					
9	1	198463-83421	GLASS R, SIDE	1	1	1					
10	1	198463-83432	WEATHER-STRIP, SG	2	2	2					
11	1	198463-83451	HINGE	4	4	4					
12	1	198463-83540	PIN	4	4	4					
13	1	198463-83571	BRACKET	2	2	2					
14	1	198153-83710	COLLAR 8.4X12X22.5	2	2	2					
15	1	198153-83720	WASHER 12, WAVE	2	2	2					
16	1	198153-83730	HANDLE, REAR GLASS	1	1	1					
17	1	198463-83760	HANDLE, SIDE GLASS L	1	1	1					
18	1	197820-84740	LINER	12	12	12					
19	1	197820-84740	LINER	8	8	8					
20	1	197820-84750	RETAINER	6	6	6					
21	1	197820-84750	RETAINER	4	4	4					
22	1	22137-080000	WASHER 8, POLISHED	4	4	4					
23	1	22272-000060	CIRCLIP E- 6	4	4	4					
24	1	26106-080452	BOLT M 8X 45 PLATED	2	2	2					
25	1	26589-060102	SCREW M 6X 10	6	6	6					
26	1	26589-060102	SCREW M 6X 10	4	4	4					

Fig.151. REAR WINDOW

(A)=EG765-KPQ
(B)=EG775-KPQ
(C)=EG782-KPQ

(D)=
(E)=
(F)=

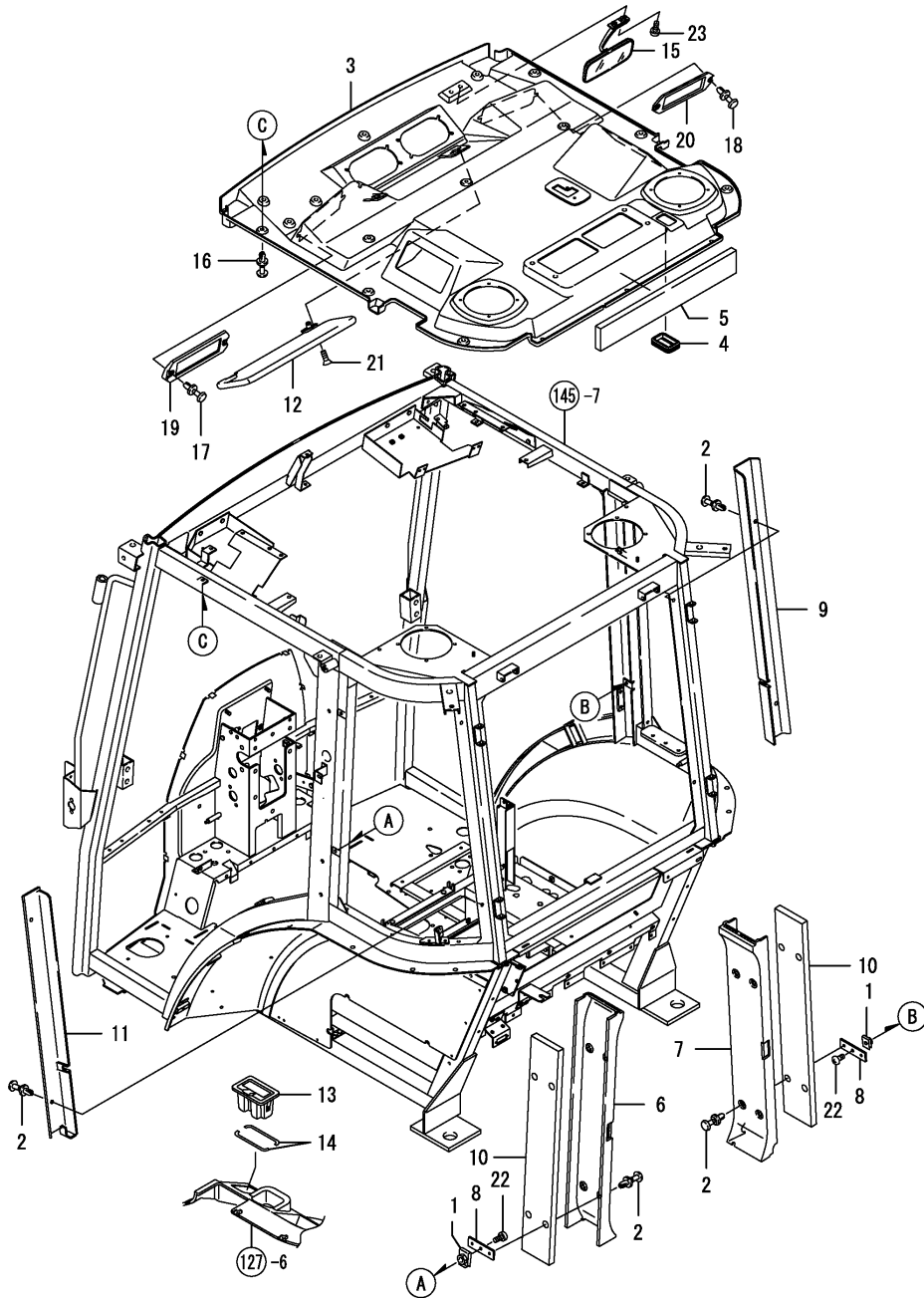


REF.	LEV.	PARTS NO.	DESCRIPTION	QTY						I	R
				(A)	(B)	(C)	(D)	(E)	(F)		
1	1	194151-57210	SPACER	2	2	2					
2	1	194065-60580	SCREW M 6X25	2	2	2					
3	1	198094-82540	GRIP	1	1	1					
4	1	198094-82550	BOLT	2	2	2					
5	1	198094-82550	BOLT	2	2	2					
6	1	198094-82550	BOLT	2	2	2					
7	1	198255-82650	RUBBER A, GL.CUSHION	6	6	6					
8	1	198255-82660	RUBBER B, GL.CUSHION	6	6	6					
9	1	198460-83350	BOLT M8X16, BC COLLAR	2	2	2					
10	1	198460-83350	BOLT M8X16, BC COLLAR	2	2	2					
11	1	198460-83350	BOLT M8X16, BC COLLAR	2	2	2					
12	1	198463-83610	HINGE, REAR	2	2	2					
13	1	198094-83640	BRACKET, REAR LOCK	1	1	1					
14	1	1A7270-83640	WEATHER-STRIP,	1	1	1					
15	1	198535-83650	GLASS, REAR	1	1	1					
16	1	198153-83710	COLLAR 8.4X12X22.5	1	1	1					
17	1	198153-83720	WASHER 12, WAVE	1	1	1					
18	1	198153-83730	HANDLE, REAR GLASS	1	1	1					
19	1	198463-83740	GLASS, LOWER	1	1	1					
20	1	198463-83780	STAY, REAR GLASS L	1	1	1					
21	1	198463-83790	STAY, REAR GLASS R	1	1	1					
22	1	197820-84740	LINER	4	4	4					
23	1	197820-84750	RETAINER	2	2	2					
24	1	198463-84750	GAS SPRING(REAR H	2	2	2					
25	1	22137-080000	WASHER 8, POLISHED	3	3	3					
26	1	22272-000060	CIRCLIP E- 6	4	4	4					
27	1	22372-080000	SNAP PIN (JASO 8)	2	2	2					
28	1	22487-080600	PIN 8X 60	2	2	2					
29	1	26106-080452	BOLT M 8X 45 PLATED	1	1	1					
30	1	26589-060102	SCREW M 6X 10	2	2	2					

Fig.152. INTERIOR

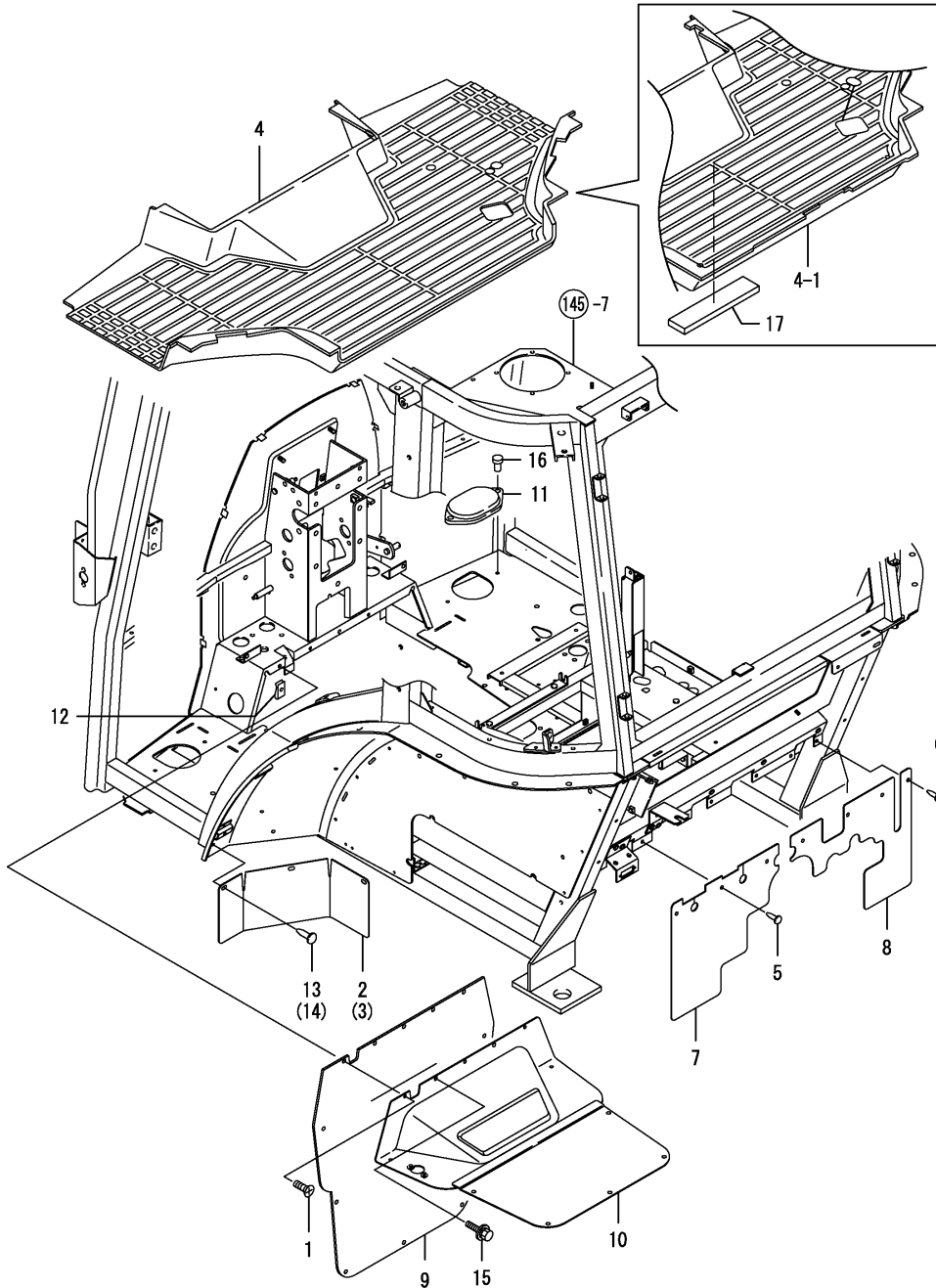
(A)=EG765-KPQ
 (B)=EG775-KPQ
 (C)=EG782-KPQ

(D)=
 (E)=
 (F)=



REF.	LEV.	PARTS NO.	DESCRIPTION	Q'TY						I	R
				(A)	(B)	(C)	(D)	(E)	(F)		
1	1	198071-61890	NUT 6,SPEED	4	4	4					
2	1	1A7450-62320	RIVET, NYLON	12	12	12					
3	1	1A7470-84100	ROOF, INNER	1	1	1					
4	1	1A7030-84141	GROMMET, SWITCHING	1	1	1					
5	1	198463-84150	SEAL, INNER ROOF	1	1	1					
6	1	1A7470-84210	COVER, FRAME SIDE L	1	1	1					
7	1	1A7470-84220	COVER, FRAME SIDE R	1	1	1					
8	1	198463-84250	STAY, SIDE COVER	4	4	4					
9	1	198268-84320-1	COVER, BRAKE REAR	1	1	1					
10	1	198463-84330	MATERIAL, ACOUSTIC	2	2	2					
11	1	1A7480-84330	COVER M ASSY, FR L	1	1	1					
12	1	1A7620-84700	VISOR M ASSY,	1	1	1					
13	1	1A7640-84710	ASHTRAY,	1	1	1					
14	1	198492-84720	RUBBER, ASHTRAY	2	2	2					
15	1	198463-84760	ROOM MIRROR	1	1	1					
16	1	198010-85810	RIVET	15	15	15					
17	1	198010-85810	RIVET	2	2	2					
18	1	198010-85810	RIVET	2	2	2					
19	1	198463-86851	COVER,RADIO-CASSETTE	1	1	1					
20	1	1A7030-86870	COVER, AIR-CON PANEL	1	1	1					
21	1	26577-050302	SCREW(+) 5X 30	3	3	3					
22	1	26589-060102	SCREW M 6X 10	4	4	4					
23	1	26589-060162	SCREW M6,BINDING	2	2	2					

Fig.153. CABIN SEAL(MAIN)



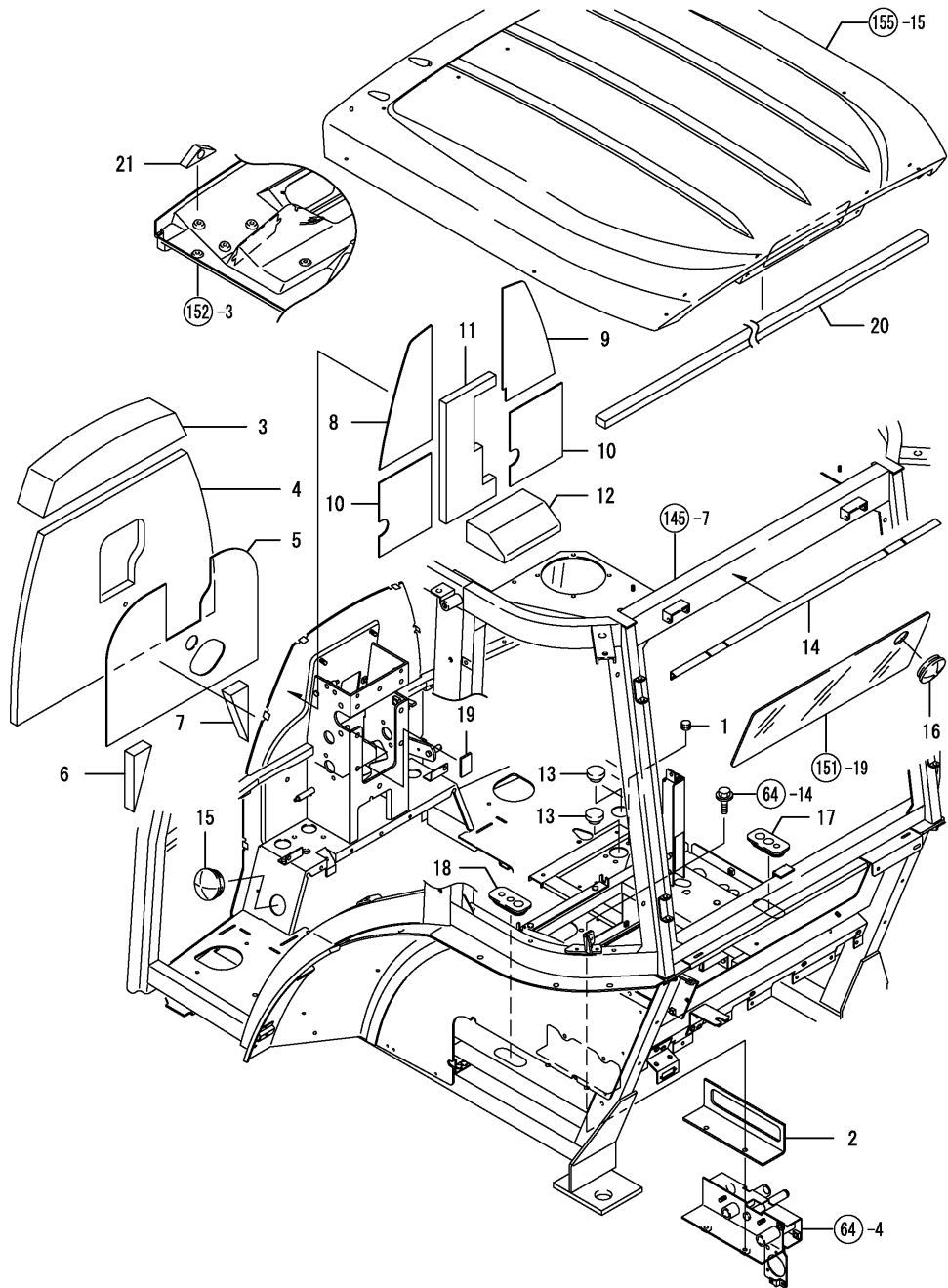
OCNP4-G99000 153. CABIN SEAL(MAIN)

(A)=EG765-KPQ
(B)=EG775-KPQ
(C)=EG782-KPQ

(D)=
(E)=
(F)=

REF.	LEV.	PARTS NO.	DESCRIPTION	Q'TY						I	R
				(A)	(B)	(C)	(D)	(E)	(F)		
1	1	194940-61790	SCREW 5X16	10	10	10					
2	1	1A7450-62330	DUST COVER,FENDER L	1	1	1					
3	1	1A7450-62340	DUST COVER,FENDER R	1	1	1					
4	1	1A7470-62361	MAT ASSY, RUBBER	1	1	1					
4-1	1	1A7470-62362	MAT ASSY, RUBBER	1	1	1					S
		(A="2009.04.) (B="2009.04.) (C="2009.04.)									
5	1	194697-62560	CAP, HOLE	3	3	3					
6	1	194697-62560	CAP, HOLE	4	4	4					
7	1	1A7450-62580	PLATE L, RUBBER	1	1	1					
8	1	1A7450-62590	PLATE R, RUBBER	1	1	1					
9	1	1A7470-62660	SEAL, FLOOR COVER	1	1	1					
10	1	1A7450-62761	COVER ASSY, FLOOR	1	1	1					
11	1	198071-62791	COVER, FLOOR	2	2	2					
12	1	198220-63850	NUT 5	10	10	10					
13	1	1E6760-74150	CAP 8,HOLE	3	3	3					
14	1	1E6760-74150	CAP 8,HOLE	3	3	3					
15	1	198093-85650	BOLT M6X16	2	2	2					
16	1	198010-85810	RIVET	4	4	4					
17	1	1A7651-62120	URETAN	1	1	1					W
		(A="2009.04.) (B="2009.04.) (C="2009.04.)									

Fig.154. CABIN SEAL(CABIN



OCNP4-G99000 154. CABIN SEAL(CABIN

(A)=EG765-KPQ
(B)=EG775-KPQ
(C)=EG782-KPQ

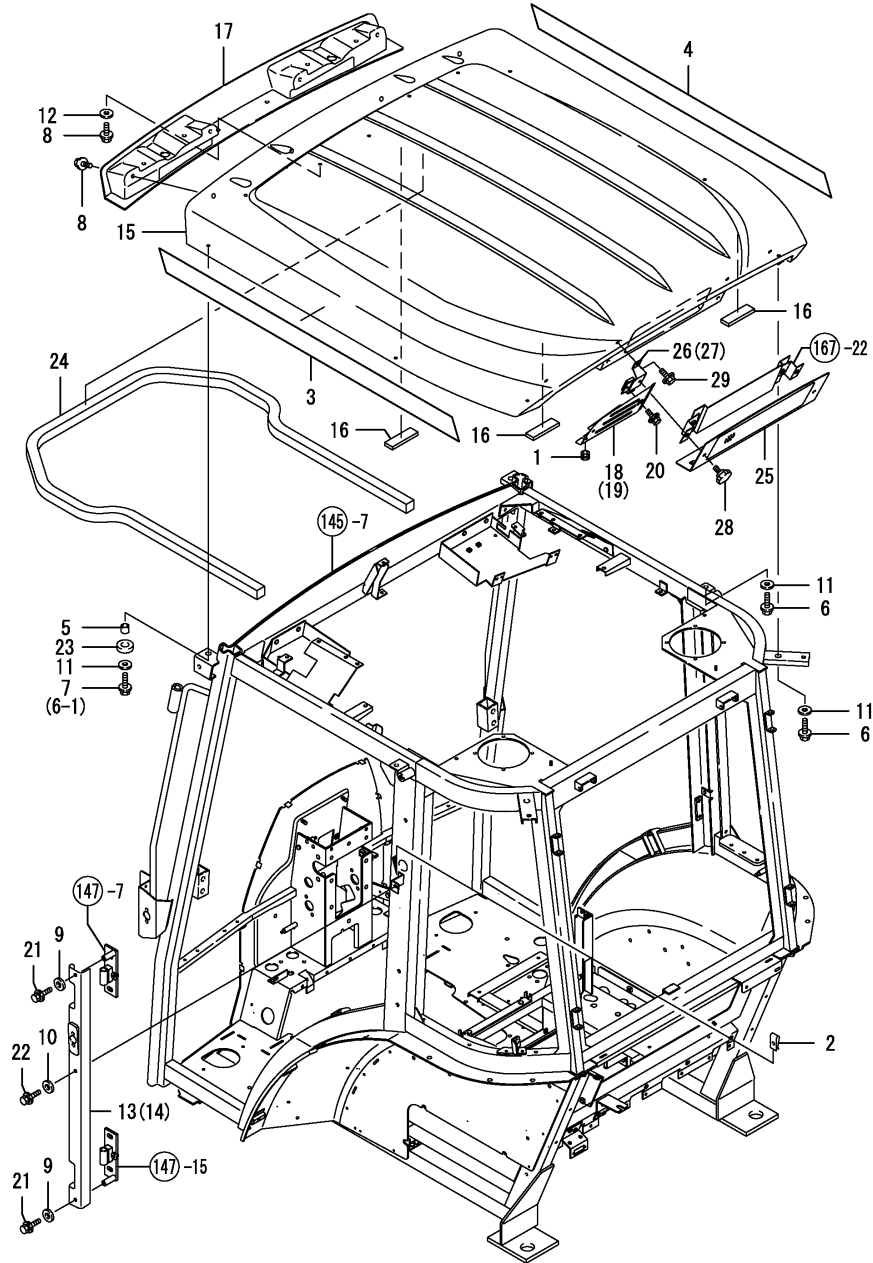
(D)=
(E)=
(F)=

REF.	LEV.	PARTS NO.	DESCRIPTION	QTY						I	R
				(A)	(B)	(C)	(D)	(E)	(F)		
1	1	1C6053-26020	CAP, RUBBER	3	3	3					
2	1	1A7470-27080	SEAL, SUB LEVER	1	1	1					
3	1	1A7470-60660	URETHANE,PLATE UPPER	1	1	1					
4	1	1A7470-60671	URETHANE,PLATE	1	1	1					
5	1	1A7470-60680	MATERIAL, DAMPING	1	1	1					
6	1	1A7470-60730	URETHANE,PLATE L	1	1	1					
7	1	1A7470-60740	URETHANE,PLATE R	1	1	1					
8	1	1A7680-61810	MATERIAL, DAMPING	1	1	1					
9	1	1A7680-61820	MATERIAL, DAMPING	1	1	1					
10	1	1A7680-61840	MATERIAL, DAMPING	2	2	2					
11	1	1A7680-61850	MATERIAL, ACOUSTIC	1	1	1					
12	1	1A7680-61860	MATERIAL, ACOUSTIC	1	1	1					
13	1	194640-62960	CAP (RUBBER)	2	2	2					
14	1	1A7680-83720	SEAL, REAR GLASS	1	1	1					
15	1	198153-83870	BOOT,RR.GLASS RUBBER	1	1	1					
16	1	198153-83870	BOOT,RR.GLASS RUBBER	1	1	1					
17	1	1A7470-84770	GROMMET, HOSE	1	1	1					
18	1	1A7470-84780	GROMMT, AIR CON HOSE	1	1	1					
19	1	198093-84810	SEAL,FENDER	2	2	2					
20	1	198463-85740	SEAL, ROOF	1	1	1					
21	1	198153-86920	PAD,LEAD WIRE	1	1	1					

Fig.155. ROOF

(A)=EG765-KPQ
(B)=EG775-KPQ
(C)=EG782-KPQ

(D)=
(E)=
(F)=

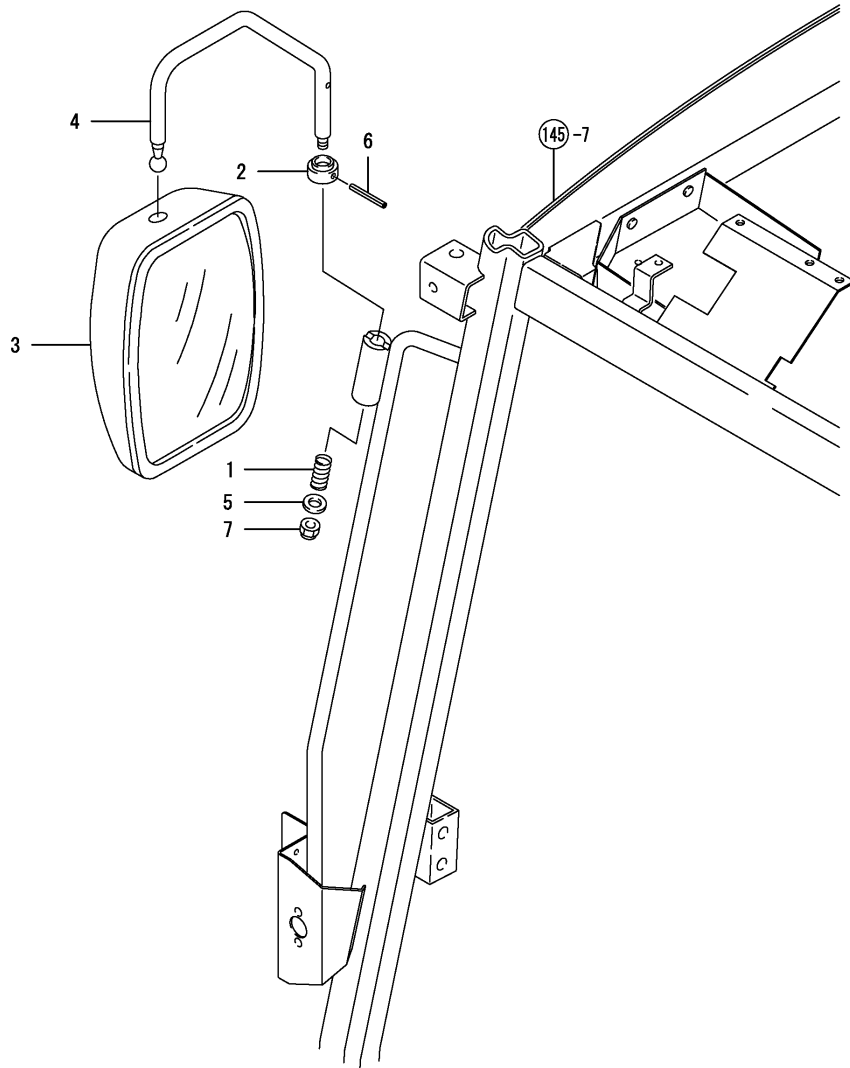


REF.	LEV.	PARTS NO.	DESCRIPTION	QTY						I	R
				(A)	(B)	(C)	(D)	(E)	(F)		
1	1	198071-58810	GROMMET 8	2	2	2					
2	1	198071-61890	NUT 6,SPEED	2	2	2					
3	1	1A7480-65611	LABEL, YANMAR	1	1	1					
4	1	1A7480-65621	LABEL, YANMAR	1	1	1					
5	1	198463-82230	SPACER	2	2	2					
6	1	198093-82510	BOLT M8X25,COLLAR	4	4	4					
6-1	1	198093-82510	BOLT M8X25,COLLAR	6	6	6					K
		(A=*2008.09.) (B=*2008.09.) (C=*2008.09.)									
7	1	198127-83150	BOLT M8X30,COLLAR	2	2	2					Z
		(A=*2008.09.) (B=*2008.09.) (C=*2008.09.)									
8	1	198460-83350	BOLT M8X16,BC COLLAR	6	6	6					
9	1	198255-83510	WASHER 6,BC,PLAIN	4	4	4					
10	1	198255-83510	WASHER 6,BC,PLAIN	2	2	2					
11	1	198255-83550	WASHER 8,BC,PLAIN	6	6	6					
12	1	198255-83550	WASHER 8,BC,PLAIN	2	2	2					
13	1	1A7750-85450	COVER, FRAME OUTER L	1	1	1					
14	1	1A7750-85460	COVER, FRAME OUTER R	1	1	1					
15	1	1A7470-85500	ROOF ASSY, OUTER	1	1	1					
16	1	198094-85570	SEAL, ROOF UPPER	3	3	3					
17	1	1A7470-85620	COVER, LAMP FRONT	1	1	1					
18	1	1A7470-85630-1	COVER, ROOF REAR L.H	1	1	1					
19	1	1A7470-85640-1	COVER, ROOF REAR R.H	1	1	1					
20	1	198093-85650	BOLT M6X16	4	4	4					
21	1	198093-85650	BOLT M6X16	4	4	4					
22	1	198093-85650	BOLT M6X16	2	2	2					
23	1	198463-85870	RUBBER, CUSHION	2	2	2					
24	1	1A7470-87460	SEAL, AIR-CON ROOF	1	1	1					
25	1	1A7470-87770	COVER, FILTER	1	1	1					
26	1	1A7470-87810	STAY, FILTER COVER L	1	1	1					
27	1	1A7470-87830	STAY, FILTER COVER R	1	1	1					
28	1	26064-080151	BOLT	2	2	2					
29	1	26106-080162	BOLT M 8X 16 PLATED	4	4	4					

Fig.156. BACK MIRROR

(A)=EG765-KPQ
 (B)=EG775-KPQ
 (C)=EG782-KPQ

(D)=
 (E)=
 (F)=



REF.	LEV.	PARTS NO.	DESCRIPTION	QTY						I	R
				(A)	(B)	(C)	(D)	(E)	(F)		
1	1	198220-63340	SPRING	2	2	2					
2	1	198133-64400	GROMMET	2	2	2					
3	1	1A7320-64510	MIRROR, REARVIEW	2	2	2					
4	1	1A7320-85810	STAY, MIRROR	2	2	2					
5	1	22137-120000	WASHER 12,POLISHED	2	2	2					
6	1	22351-060060	PIN 6.0AX60,SPRING	2	2	2					
7	1	26346-100002	U-NUT M10 PLATED	2	2	2					

Fig.158. CABIN SWITCH

(A)=EG765-KPQ
 (B)=EG775-KPQ
 (C)=EG782-KPQ

(D)=
 (E)=
 (F)=

REF.	LEV.	PARTS NO.	DESCRIPTION	Q'TY						I	R
				(A)	(B)	(C)	(D)	(E)	(F)		
1	1	197821-85430	SWITCH,WIPER	1	1	1					
2	1	198094-86410	SWITCH, WORK LAMP	2	2	2					
3	1	198280-86430	SWITCH,FRONT WIPER	1	1	1					

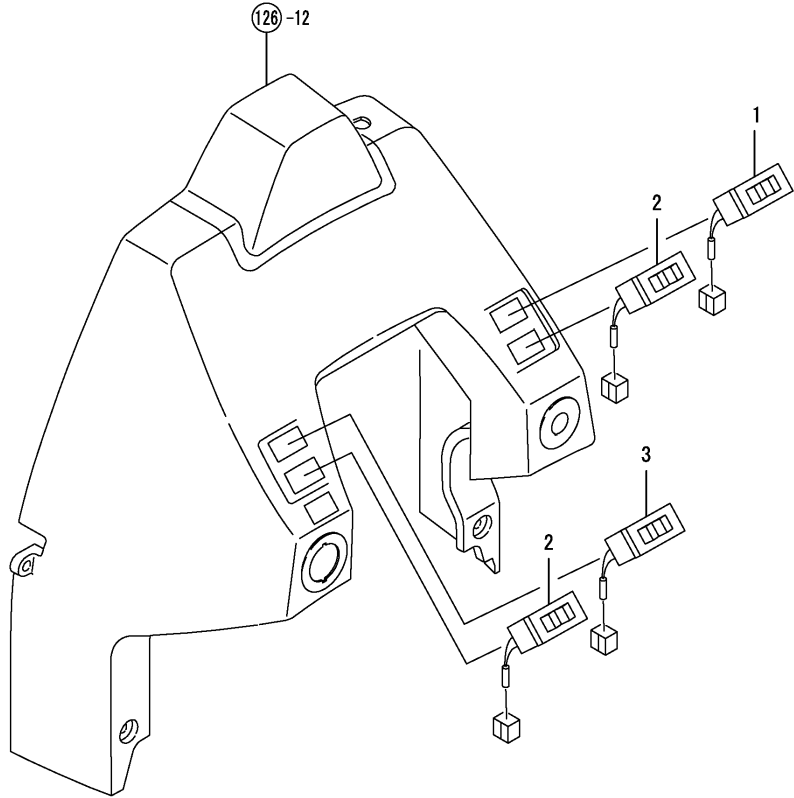
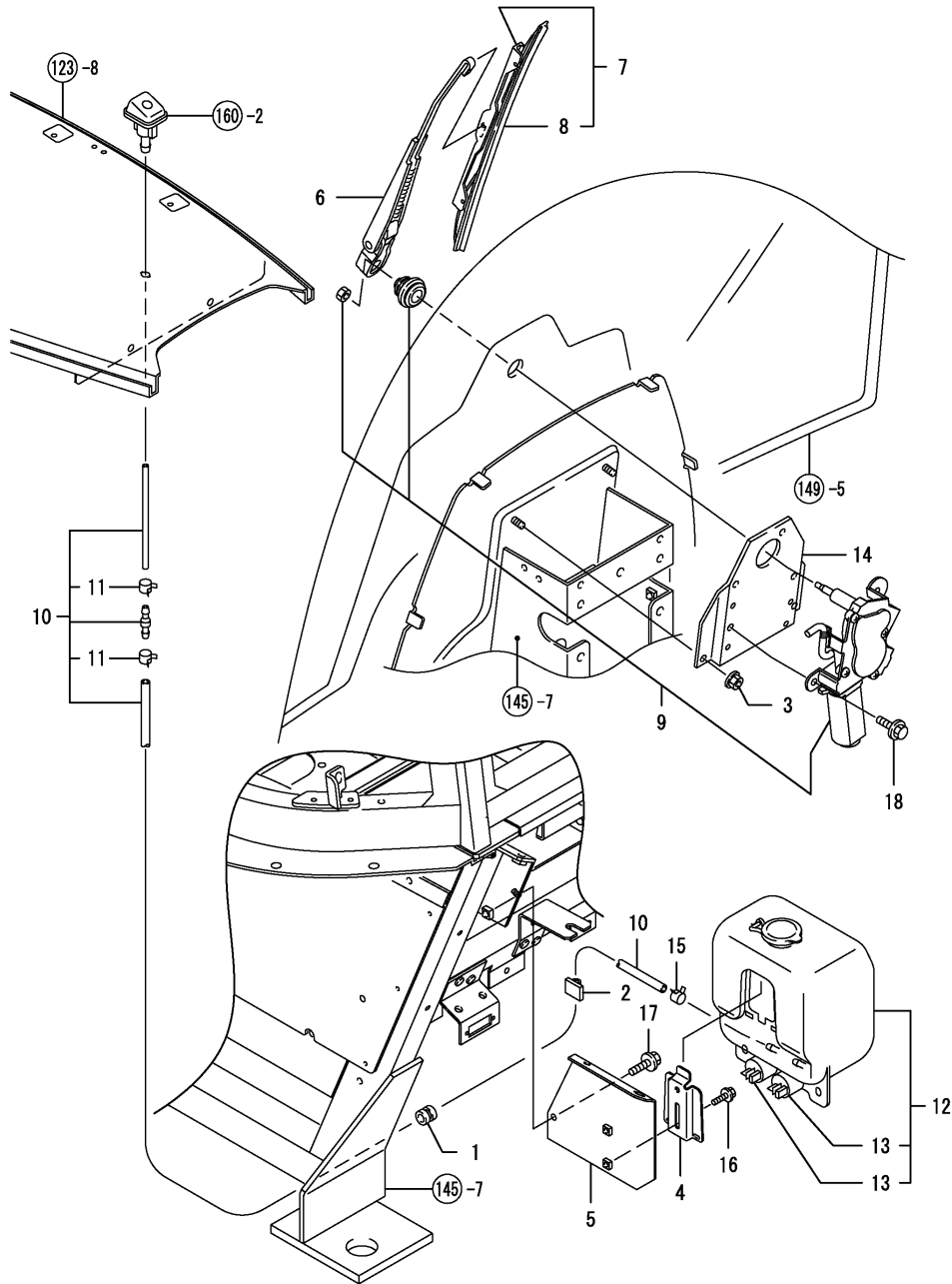


Fig.159. FRONT WIPER(CABIN

(A)=EG765-KPQ
 (B)=EG775-KPQ
 (C)=EG782-KPQ

(D)=
 (E)=
 (F)=

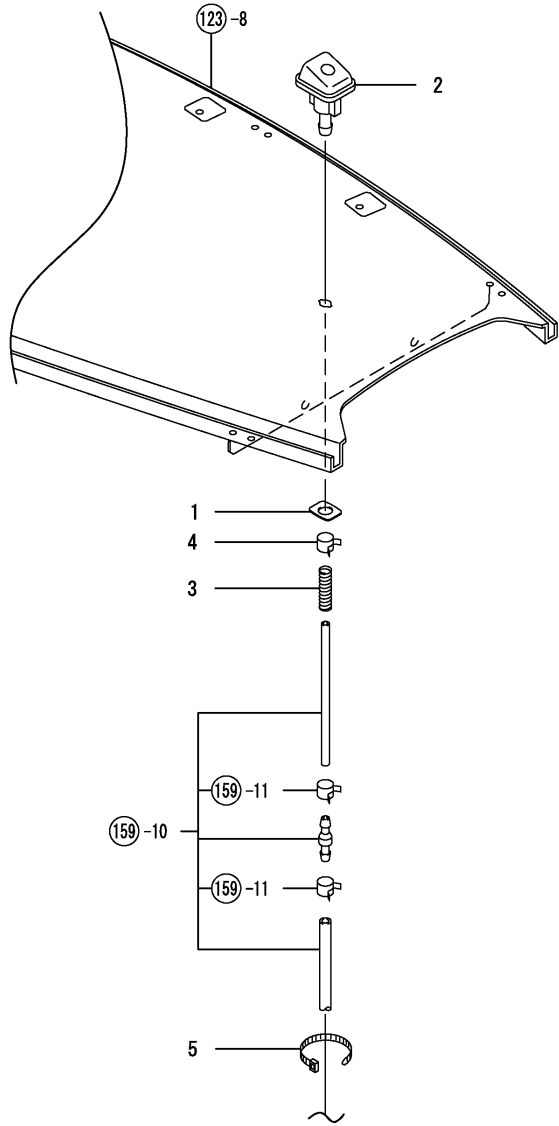


REF.	LEV.	PARTS NO.	DESCRIPTION	QTY						I	R
				(A)	(B)	(C)	(D)	(E)	(F)		
1	1	198360-03260	GROMMET 12	1	1	1					
2	1	172010-07810	STICKER, WIRE	1	1	1					
3	1	194990-22140	NUT W/WASHER 8	2	2	2					
4	1	120147-44810	BRACKET	1	1	1					
5	1	1A7470-86080	BRACKET, WASHER TANK	1	1	1					
6	1	198550-86540	WIPER ARM	1	1	1					
7	1	198550-86590	WIPER BLADE	1	1	1					
8	2	198550-86570	RUBBER	1	1	1					
9	1	198550-86610	WIPER MOTOR	1	1	1					
10	1	198550-86640	HOSE F COMP., VINYL	1	1	1					
11	2	23080-007000	HOSE CLAMP 7	2	2	2					
12	1	1A7320-86650	TANK ASSY, WASHER	1	1	1					
13	2	1A7320-86640	PUMP ASSY, WASHER	2	2	2					
14	1	198550-86680	BRACKET, WIPER MOTOR	1	1	1					
15	1	23080-007000	HOSE CLAMP 7	1	1	1					
16	1	26106-060162	BOLT M 6X 16 PLATED	2	2	2					
17	1	26106-080162	BOLT M 8X 16 PLATED	2	2	2					
18	1	26106-080162	BOLT M 8X 16 PLATED	3	3	3					

Fig.160. FRONT WIPER(MAIN)

(A)=EG765-KPQ
 (B)=EG775-KPQ
 (C)=EG782-KPQ

(D)=
 (E)=
 (F)=

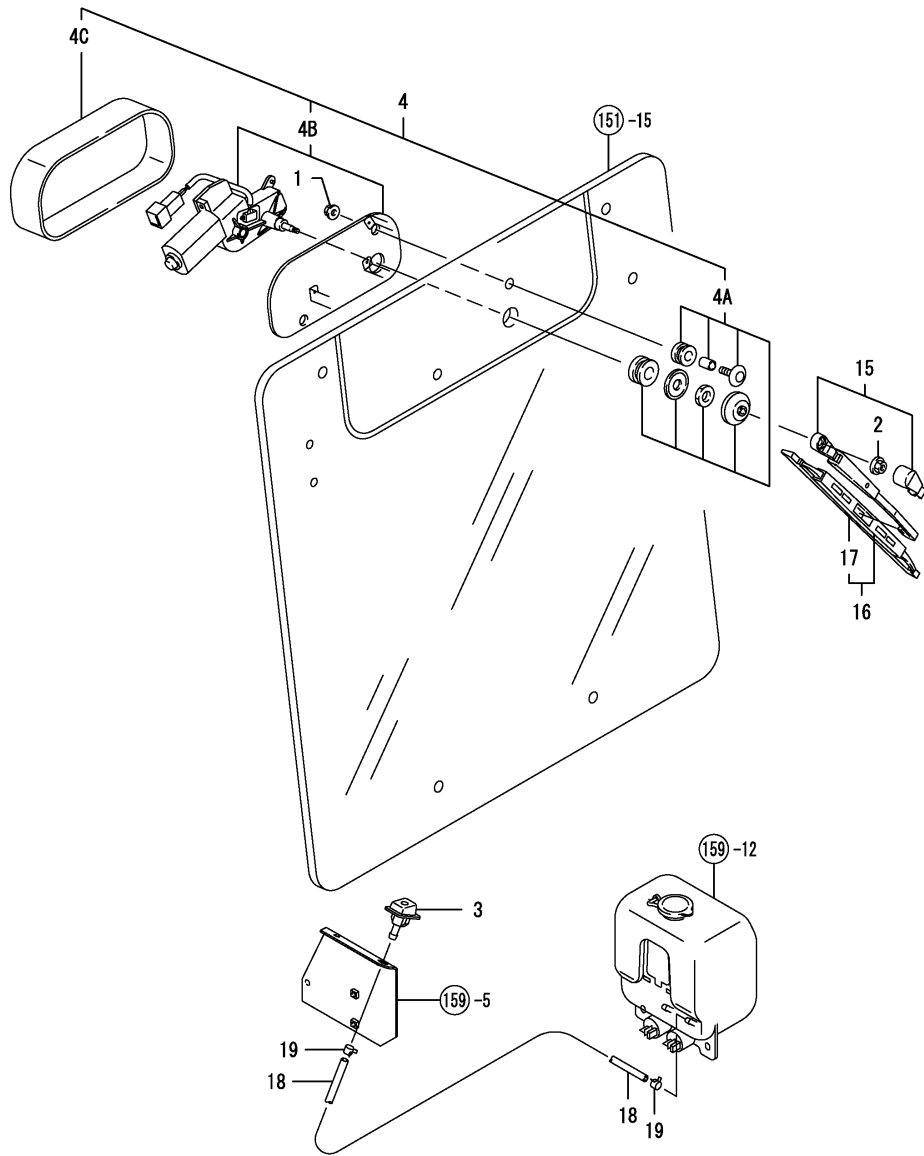


REF.	LEV.	PARTS NO.	DESCRIPTION	Q'TY						I	R
				(A)	(B)	(C)	(D)	(E)	(F)		
1	1	1A7320-61140	SPASA (WASHER-NOZZLE	1	1	1					
2	1	198094-86060	WASHER,NOZZLE	1	1	1					
3	1	198094-86560	SPRING	1	1	1					
4	1	23080-007000	HOSE CLAMP 7	1	1	1					
5	1	29622-140001	BAND 140	1	1	1					

Fig.161. REAR WIPER

(A)=EG765-KPQ
 (B)=EG775-KPQ
 (C)=EG782-KPQ

(D)=
 (E)=
 (F)=

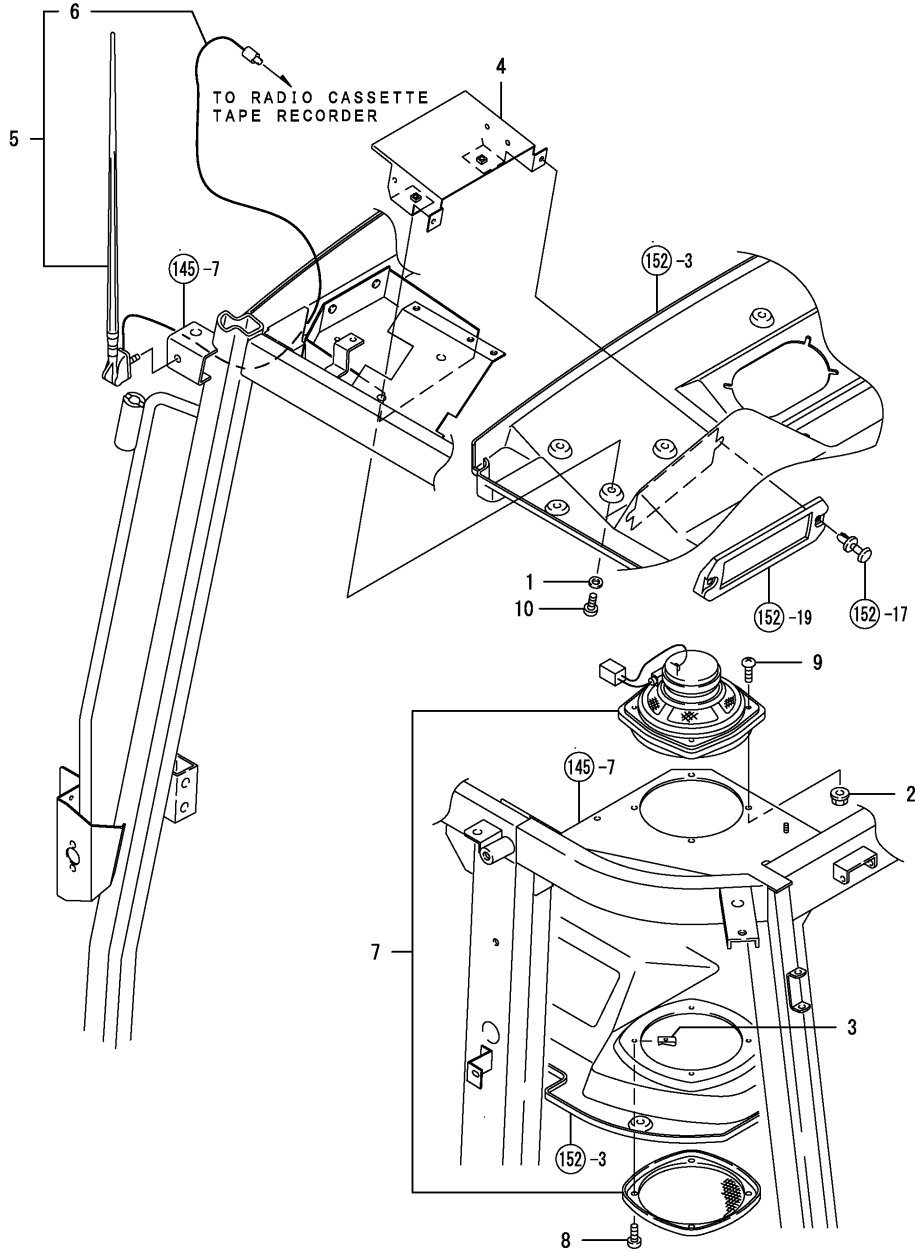


REF.	LEV.	PARTS NO.	DESCRIPTION	QTY						I	R
				(A)	(B)	(C)	(D)	(E)	(F)		
1	1	194990-22130	NUT W/WASHER 6	2	2	2					
2	1	194990-22140	NUT W/WASHER 8	1	1	1					
3	1	198094-86060	WASHER,NOZZLE	1	1	1					
4	1	198535-86300	MOTOR ASSY, WIPER	1	1	1					
4A	2	198535-86450	COVER KIT,MOTOR	1	1	1					
4B	2	198535-86470	MOTOR KIT,B	1	1	1					
4C	2	198535-86340	COVER	1	1	1					
15	1	198550-86410	WIPER ARM	1	1	1					
16	1	198550-86420	WIPER BLADE	1	1	1					
17	2	198550-86430	RUBBER,	1	1	1					
18	1	198094-86580	HOSE, REAR WASHER	1	1	1					
19	1	23080-007000	HOSE CLAMP 7	2	2	2					

Fig.162. AUDIO LESS

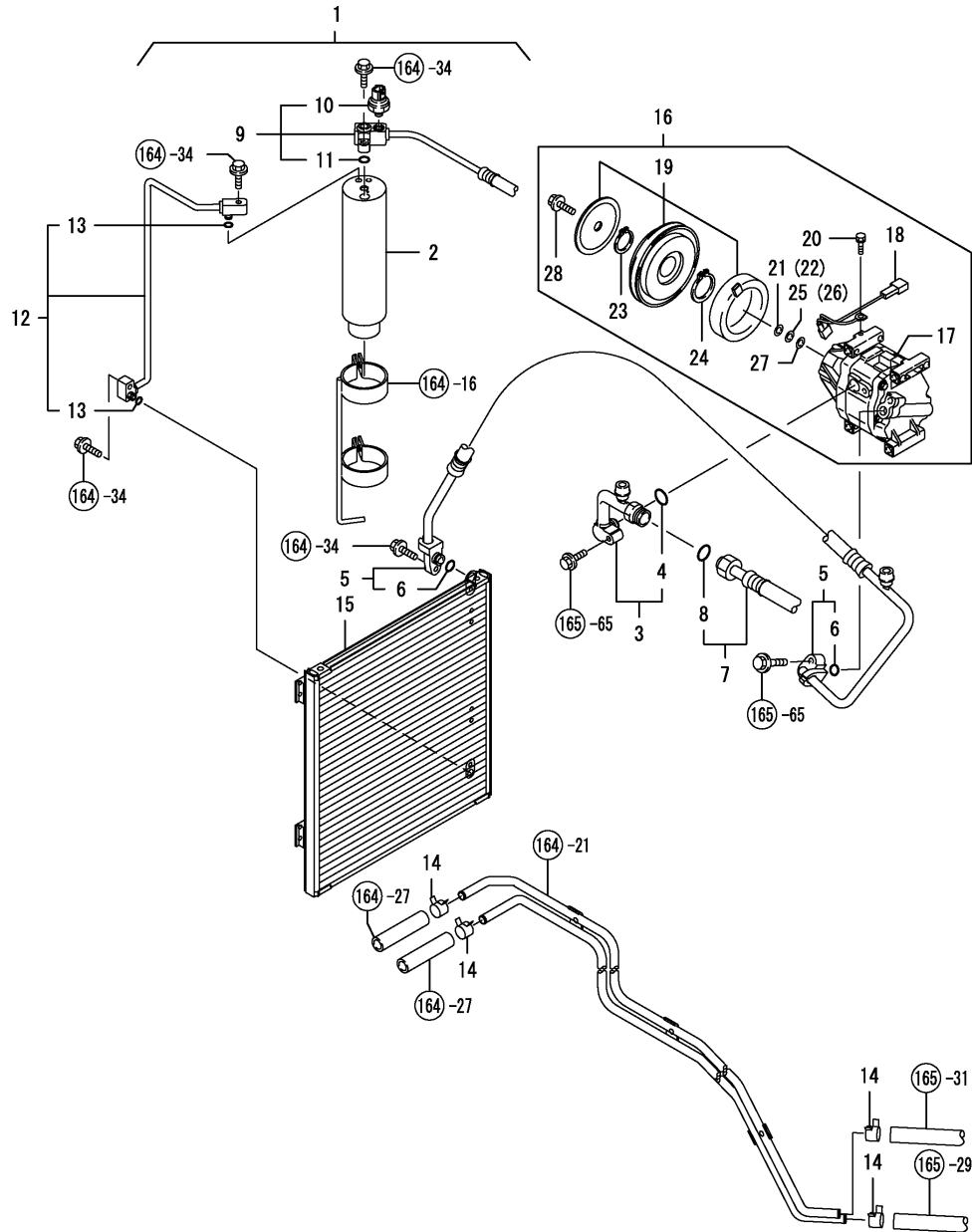
(A)=EG765-KPQ
(B)=EG775-KPQ
(C)=EG782-KPQ

(D)=
(E)=
(F)=



REF.	LEV.	PARTS NO.	DESCRIPTION	QTY						I	R
				(A)	(B)	(C)	(D)	(E)	(F)		
1	1	194515-01190	WASHER 6	2	2	2					
2	1	194990-22120	NUT, M5	8	8	8					
3	1	198220-63850	NUT 5	8	8	8					
4	1	1A7470-86510	BRACKET,RADIOCASSETT	1	1	1					
5	1	198463-86771	ANTENNA CMP	1	1	1					
6	2	198463-86790	LEAD,GLOW PLUG	1	1	1					
7	1	198463-86820	SPEAKER CMP	2	2	2					
8	1	22859-500202	SCREW, 5.0 X 20	8	8	8					
9	1	26557-050162	SCREW M 5X 16	8	8	8					
10	1	26589-060162	SCREW M6,BINDING	2	2	2					

Fig.163. AIR CONDITIONER(MAIN 1

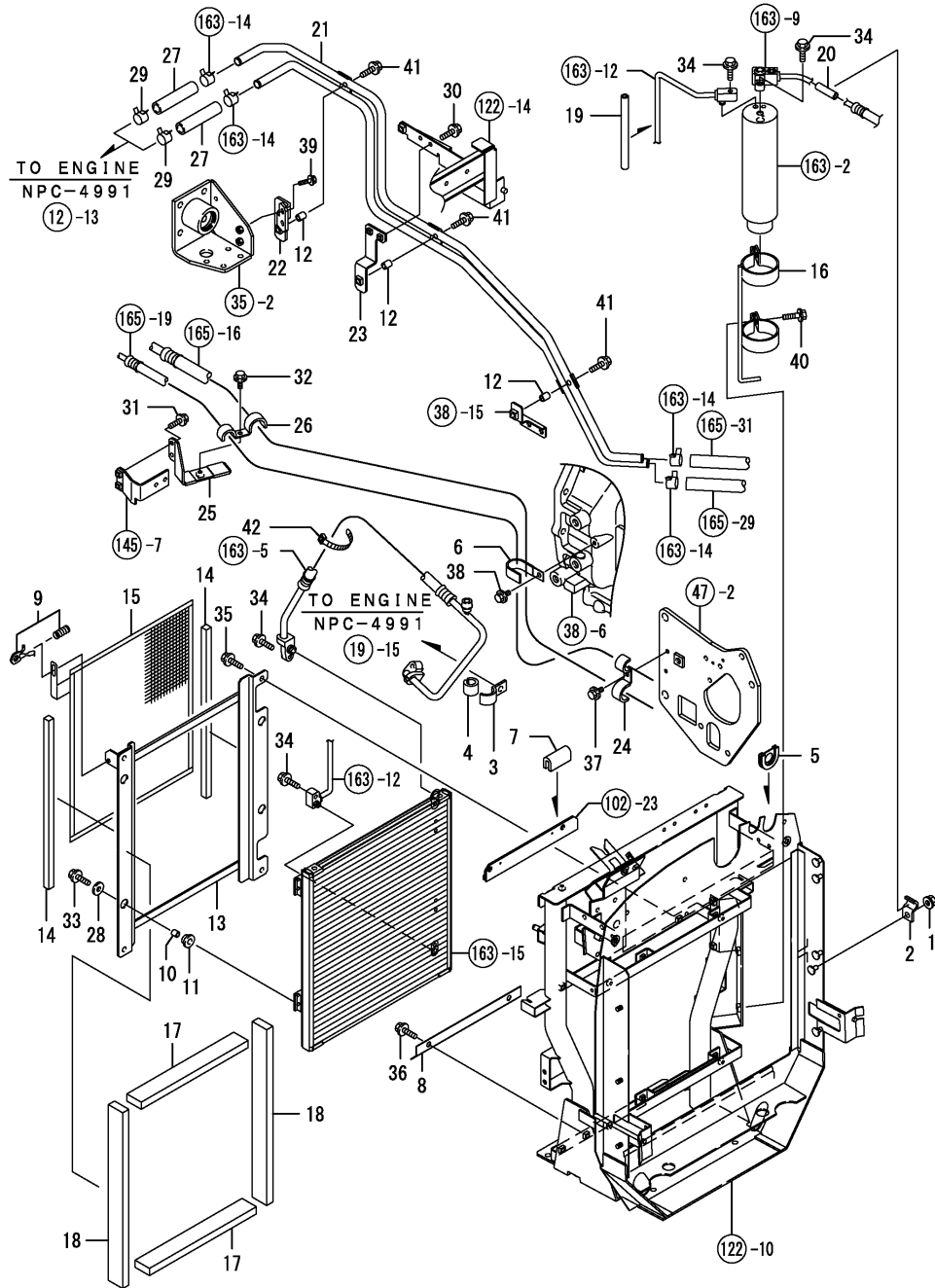


(A)=EG765-KPQ
(B)=EG775-KPQ
(C)=EG782-KPQ

(D)=
(E)=
(F)=

REF.	LEV.	PARTS NO.	DESCRIPTION	QTY						I	R
				(A)	(B)	(C)	(D)	(E)	(F)		
1	1	1A7470-87020	AIR-CON SYSTEM,A KIT	1	1	1					
2	2	1E8545-80210	RECEIVER DRYER	1	1	1					
3	2	1A7030-87881	PIPE(COMP-A/U CMP	1	1	1					
4	3	1A7030-88840	O-RING	1	1	1					
5	2	1A7470-87930	HOSE ASSY, COMP-COND	1	1	1					
6	3	1A7030-88820	O-RING	2	2	2					
7	2	1A7470-87940	HOSE ASSY,A/U-COMP F	1	1	1					
8	3	1A7030-88840	O-RING	2	2	2					
9	2	1A7470-87960	HOSE ASSY, R/D-A/U F	1	1	1					
10	3	1A7030-87120	SWITCH, PRESSURE	1	1	1					
11	3	1A7030-88760	O-RING	2	2	2					
12	2	1A7470-87980	PIPE ASSY, COND-R/D	1	1	1					
13	3	1A7030-88760	O-RING	2	2	2					
14	2	1A7030-88710	CLIP,HOSE	4	4	4					
15	1	1A7470-87120	CONDENSER ASSY,	1	1	1					
16	1	1A7320-87902	COMPRESSOR ASSY,	1	1	1					
17	2	1A7320-87892	COMPRESSOR	1	1	1					
18	2	1A7030-87911	WIRE HARNESS	1	1	1					
19	2	1A7320-87922	CLUTCH ASSY, MAGNET	1	1	1					
20	2	1A7320-87990	BOLT, 5 X 8	1	1	1					
21	2	1A7030-89860	WASHER 0.6	1	1	1					
22	2	1A7030-89870	WASHER 1.0	1	1	1					
23	2	1A7030-89930	SNAP RING	1	1	1					
24	2	1A7030-89940	SNAP RING	1	1	1					
25	2	1A7030-89950	WASHER 0.1	1	1	1					
26	2	1A7030-89960	WASHER 0.15	1	1	1					
27	2	1A7030-89970	WASHER 0.4	1	1	1					
28	2	1A7030-89980	BOLT, 6X16	1	1	1					

Fig.164. AIR CONDITIONER(MAIN 2)



(A)=EG765-KPQ
 (B)=EG775-KPQ
 (C)=EG782-KPQ

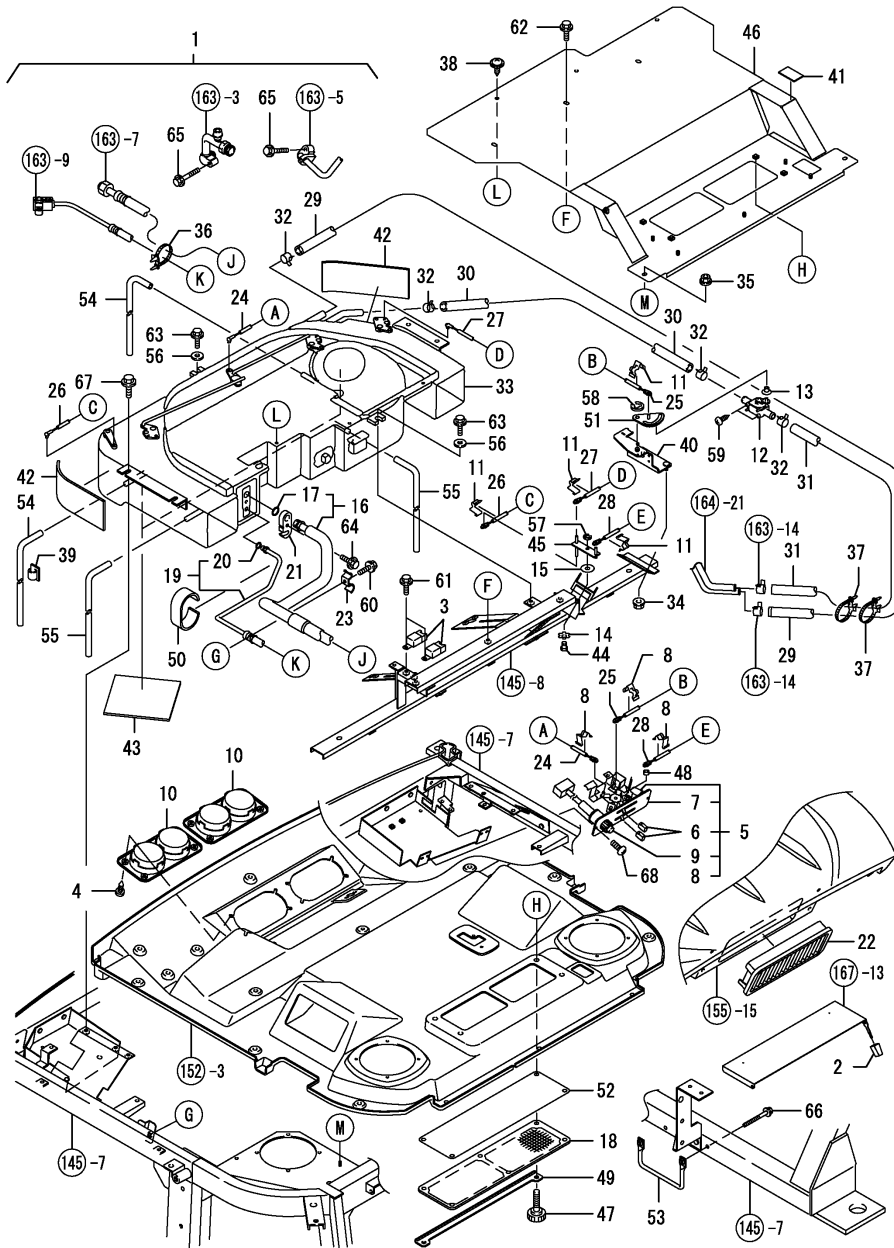
(D)=
 (E)=
 (F)=

REF.	LEV.	PARTS NO.	DESCRIPTION	QTY						I	R
				(A)	(B)	(C)	(D)	(E)	(F)		
1	1	194990-22140	NUT W/WASHER 8	1	1	1					
2	1	198071-48390	CLAMP 12 M	1	1	1					
3	1	194450-48830	CLAMP	1	1	1					
4	1	194464-48850	RUBBER	1	1	1					
5	1	198220-51340	GROMMET	1	1	1					
6	1	198448-51460	CLAMP, HARNESS B	1	1	1					
7	1	198448-60080	TRIM 40	1	1	1					
8	1	1A7470-60600	PLATE,CONDENSER	1	1	1					
9	1	198220-61351	LOCK COMP.,CAM	1	1	1					
10	1	198129-78710	SPACER, 6-10	4	4	4					
11	1	198129-78720	GROMMET, 10-16	4	4	4					
12	1	198127-83210	SPACER	3	3	3					
13	1	1A7470-87050	FRAME,CONDENSER	1	1	1					
14	1	1A7470-87110	SEAL RUBBER,CONDENSE	2	2	2					
15	1	1A7470-87130	SCREEN, CONDENSER	1	1	1					
16	1	1A7030-87140	BRACKET ASSY,	1	1	1					
17	1	1A7470-87180	URETHANE, CONDENSER	2	2	2					
18	1	1A7470-87190	URETHANE, CONDENSER	2	2	2					
19	1	1A7470-87250	RUBBER COVER,LIQUID	1	1	1					
20	1	1A7030-88050	TUBE	1	1	1					
21	1	1A7470-88101	PIPE ASSY,HEATER	1	1	1					
22	1	1A7470-88140	STAY, HEATR PIPE	1	1	1					
23	1	1A7470-88160	STAY, HEATER PIPE	1	1	1					
24	1	1A7470-88210	CLAMP,A/C HOSE R	1	1	1					
25	1	1A7470-88222	STAY,A/C HOSE F	1	1	1					
26	1	1A7470-88242	CLAMP,A/C HOSE	1	1	1					
27	1	198208-89530	HOSE, HEATER	2	2	2					
28	1	22157-060000	WASHER 6	4	4	4					
29	1	23000-019000	CLAMP 19	2	2	2					
30	1	26106-060122	BOLT M 6X 12 PLATED	2	2	2					
31	1	26106-060162	BOLT M 6X 16 PLATED	2	2	2					
32	1	26106-060162	BOLT M 6X 16 PLATED	1	1	1					
33	1	26106-060202	BOLT M 6X 20 PLATED	4	4	4					
34	1	26106-060252	BOLT M 6X 25 PLATED	4	4	4					
35	1	26106-080162	BOLT M 8X 16 PLATED	4	4	4					
36	1	26106-080162	BOLT M 8X 16 PLATED	2	2	2					
37	1	26106-080162	BOLT M 8X 16 PLATED	1	1	1					
38	1	26106-080162	BOLT M 8X 16 PLATED	1	1	1					
39	1	26106-080202	BOLT M 8X 20 PLATED	2	2	2					
40	1	26106-080252	BOLT M 8X 25 PLATED	2	2	2					
41	1	26106-080302	BOLT M 8X 30 PLATED	3	3	3					
42	1	29622-250001	BAND RF 250	1	1	1					

Fig.165. AIR CONDITIONER(CABIN

(A)=EG765-KPQ
(B)=EG775-KPQ
(C)=EG782-KPQ

(D)=
(E)=
(F)=



REF.	LEV.	PARTS NO.	DESCRIPTION	QTY						I	R
				(A)	(B)	(C)	(D)	(E)	(F)		
1	1	1A7470-87030	AIR-CON SYSTEM,B KIT	1	1	1					
2	2	1E8545-80080	KNOB,CONTROL	1	1	1					
3	2	1A7030-86980	RELEY, AIR-CON	2	2	2					
4	2	1A7030-87040	SCREW, TAPPING 5X20	8	8	8					
5	2	1A7030-87151	CONTROL ASSY	1	1	1					
6	3	1E8545-80080	KNOB,CONTROL	2	2	2					
7	3	1A7030-87190	PANEL, AIR-CON	1	1	1					
8	3	1A7030-87790	CLAMP	4	4	4					
9	3	1A7030-88210	SWITCH ASSY, AIR-CON	1	1	1					
10	2	198208-87410	GRILL ASSY, AIR CON	2	2	2					
11	2	1A7030-87790	CLAMP	4	4	4					
12	2	1A7030-87810	VALVE COMP.,WATER	1	1	1					
13	2	1A7030-87850	BUSH, WATER VALVE	1	1	1					
14	2	1A7470-87910	WASHER,WAVE	1	1	1					
15	2	1A7470-87920	WASHER,LINK MIDDLE	1	1	1					
16	2	1A7470-87950	HOSE ASSY,A/U-COMP R	1	1	1					
17	3	1A7030-88840	O-RING	1	1	1					
18	2	1A7030-87970	FILTER	1	1	1					
19	2	1A7470-87970	HOSE ASSY, R/D-A/U R	1	1	1					
20	3	1A7030-88760	O-RING	1	1	1					
21	2	198208-87980	CONNECTOR, A/C HORSE	1	1	1					
22	2	1A7030-87990	FILTER,	1	1	1					
23	2	1A7030-88060	CLAMP, AIR-CON HOSE	1	1	1					
24	2	1A7470-88410	CABLE, MIX	1	1	1					
25	2	1A7470-88420	CABLE, W/V	1	1	1					
26	2	1A7470-88430	CABLE, FACE L	1	1	1					
27	2	1A7470-88440	CABLE, FACE R	1	1	1					
28	2	1A7470-88450	CABLE, FACE M	1	1	1					
29	2	1A7470-88630	HOSE, OUT HEATER A	1	1	1					
30	2	1A7470-88640	HOSE, IN HEATER A	1	1	1					
31	2	1A7470-88650	HOSE, IN HEATER B	1	1	1					
32	2	1A7030-88710	CLIP,HOSE	4	4	4					
33	1	1A7470-87200	UNIT ASSY, AIR-CON	1	1	1					1
34	1	194990-22130	NUT W/WASHER 6	2	2	2					
35	1	194990-22130	NUT W/WASHER 6	2	2	2					
36	1	194680-51670	BAND	4	4	4					
37	1	194680-51670	BAND	2	2	2					
38	1	194940-61790	SCREW 5X16	3	3	3					
39	1	194680-78350	STICKER 18,WIRE	1	1	1					
40	1	1A7030-80940	BRACKET, WATER VALVE	1	1	1					
41	1	198093-84810	SEAL,FENDER	1	1	1					
42	1	1A7470-87220	PAD, A/C UNIT SIDE	2	2	2					
43	1	1A7470-87230	PAD, A/C UNIT LOWER	2	2	2					
44	1	1A7470-87350	PIN,LINKAGE,MID	1	1	1					
45	1	1A7470-87360	LINKAGE,MID	1	1	1					
46	1	1A7470-87600	PLATE ASSY, SEAL	1	1	1					
47	1	198463-87630	KNOB, FILTER	4	4	4					
48	1	1A7680-87650	SPACER	1	1	1					
49	1	1A7030-87720	STAY, FILTER	1	1	1					
50	1	1A7030-87730	PAD, AIR-CON HOSE	1	1	1					
51	1	1A7030-87820	LINK, WATER VALVE	1	1	1					

Remarks

(1) INNER PARTS IS REFER TO FIG.166.

Fig.165. AIR CONDITIONER(CABIN

(A)=EG765-KPQ

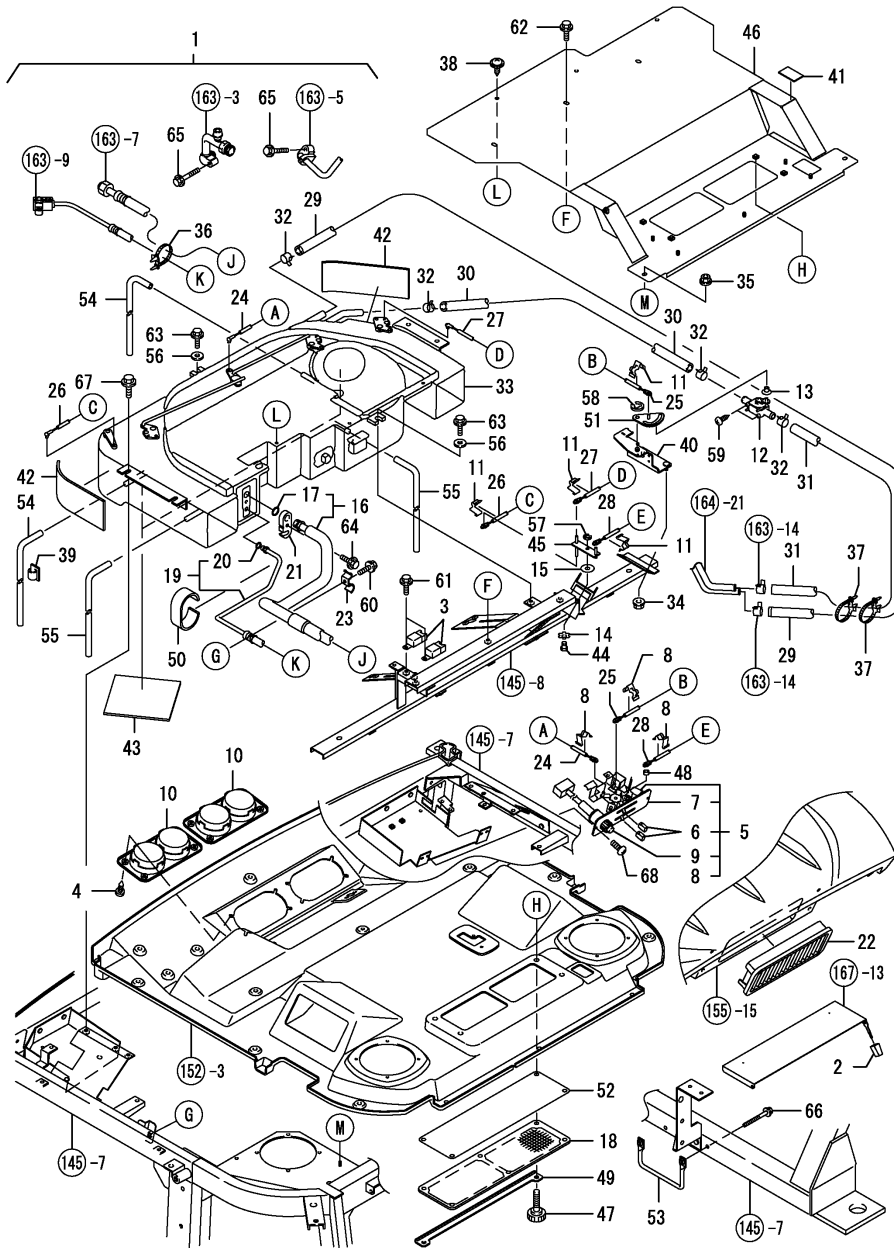
(B)=EG775-KPQ

(C)=EG782-KPQ

(D)=

(E)=

(F)=



REF.	LEV.	PARTS NO.	DESCRIPTION	QTY						I	R
				(A)	(B)	(C)	(D)	(E)	(F)		
52	1	1A7030-88680	FILTER	1	1	1					
53	1	1A7470-88750	ROD,HEATER HOSE	1	1	1					
54	1	1A7470-88950	HOSE, DRAIN F	2	2	2					
55	1	1A7680-88950	HOSE, DRAIN	2	2	2					
56	1	22157-060000	WASHER 6	3	3	3					
57	1	22272-000050	CIRCLIP E- 5	1	1	1					
58	1	22272-000060	CIRCLIP E- 6	1	1	1					
59	1	22857-400100	SCREW 4X10	2	2	2					
60	1	26106-060082	BOLT M 6X 8 PLATED	1	1	1					
61	1	26106-060122	BOLT M 6X 12 PLATED	2	2	2					
62	1	26106-060122	BOLT M 6X 12 PLATED	3	3	3					
63	1	26106-060162	BOLT M 6X 16 PLATED	3	3	3					
64	1	26106-060202	BOLT M 6X 20 PLATED	1	1	1					
65	1	26106-060402	BOLT M 6X 40 PLATED	2	2	2					
66	1	26106-060602	BOLT M 6X 60 PLATED	2	2	2					
67	1	26106-080162	BOLT M 8X 16 PLATED	4	4	4					
68	1	26559-050162	SCREW	2	2	2					

Remarks

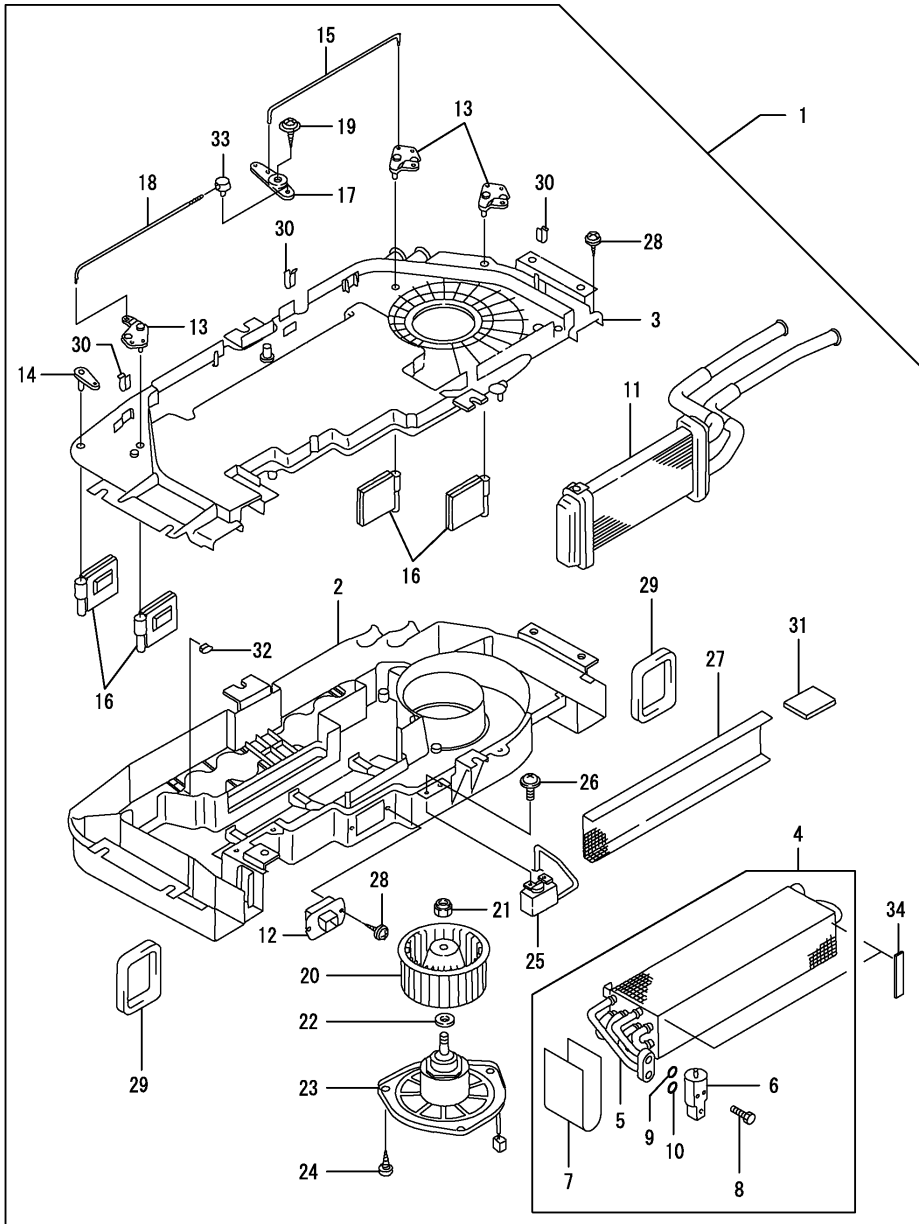
(1) INNER PARTS IS REFER TO FIG.166.

N:Old $\begin{matrix} \text{Yes} \\ \text{No} \end{matrix}$ New, Q:Old $\begin{matrix} \text{No} \\ \text{Yes} \end{matrix}$ New, R:Old $\begin{matrix} \text{Yes} \\ \text{Yes} \end{matrix}$ New, S:Old $\begin{matrix} \text{No} \\ \text{No} \end{matrix}$ New, W:Add, Z:Discontinued, F:Interchangeable by set, K:Q'ty Change

Fig.166. AIR CONDITIONER UNIT

(A)=EG765-KPQ
(B)=EG775-KPQ
(C)=EG782-KPQ

(D)=
(E)=
(F)=

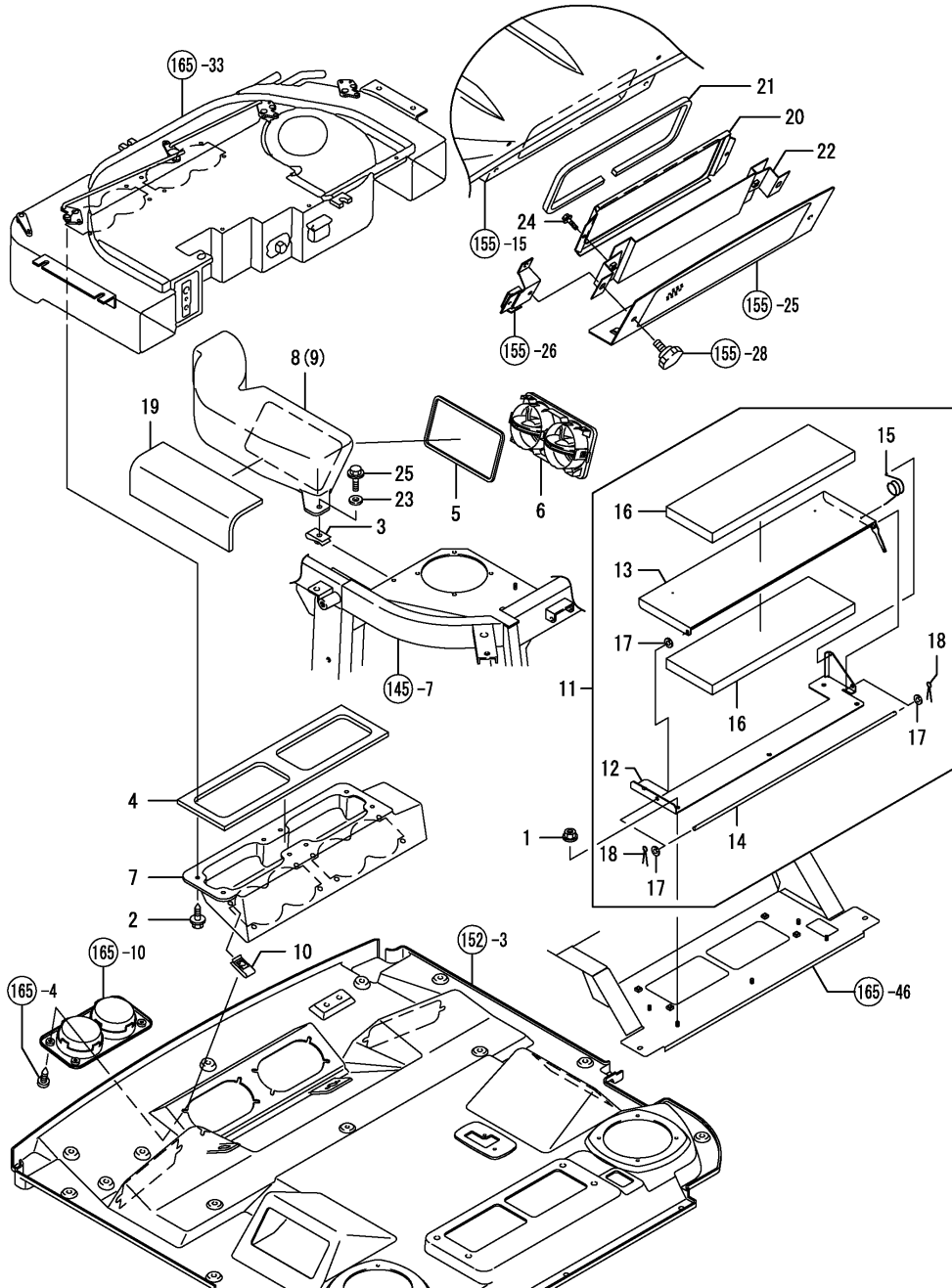


REF.	LEV.	PARTS NO.	DESCRIPTION	QTY						I	R
				(A)	(B)	(C)	(D)	(E)	(F)		
1	1	1A7470-87200	UNIT ASSY, AIR-CON	1	1	1					
2	2	1A7030-87211	CASE,LOWER	1	1	1					
3	2	1A7030-87220	CASE, UPPER	1	1	1					
4	2	1A7030-87230	EVAPORATOR ASSY	1	1	1					
5	3	1A7030-88180	EVAPORATOR CMP	1	1	1					
6	3	1A7030-88190	VALVE	1	1	1					
7	3	1A7030-88200	GASKET	1	1	1					
8	3	1A7030-88230	BOLT	2	2	2					
9	3	1A7030-88820	O-RING	1	1	1					
10	3	1A7030-88840	O-RING	1	1	1					
11	2	1A7030-87240	CORE,HEATER	1	1	1					
12	2	1A7030-87251	RESISTOR	1	1	1					
13	2	1A7030-87270	LEVER ASSY, MIX DOOR	3	3	3					
14	2	1A7030-87280	LEVER ASSY, MODE DOO	1	1	1					
15	2	1A7030-87290	SHAFT	1	1	1					
16	2	1A7030-87300	DOOR ASSY	4	4	4					
17	2	1A7030-87310	LEVER ASSY, MIX LINK	1	1	1					
18	2	1A7030-87330	SHAFT	1	1	1					
19	2	1A7030-87340	SCREW, TAPPING WASHE	1	1	1					
20	2	1A7030-87350	FAN, BLOWER	1	1	1					
21	2	1A7030-87360	NUT	1	1	1					
22	2	1A7030-88070	WASHER	1	1	1					
23	2	1A7470-88080	MOTOR ASSY, BLOWER	1	1	1					
24	2	1A7030-88090	SCREW, TAPPING WASHE	3	3	3					
25	2	1A7030-88100	THERMOSTAT ASSY	1	1	1					
26	2	1A7030-88110	SCREW, WASHER	2	2	2					
27	2	1A7030-88120	NET	1	1	1					
28	2	1A7030-88130	SCREW,TAPPING	22	22	22					
29	2	1A7030-88140	GASKET	2	2	2					
30	2	1A7030-88150	CLAMP, LOCK D 6	3	3	3					
31	2	1A7030-88160	INSULATOR	2	2	2					
32	2	1A7030-88170	NUT, SPEED GRILL	8	8	8					
33	2	1A7030-88250	CLAMP	1	1	1					
34	2	1A7470-88280	PACKING B	2	2	2					

Fig.167. AIR CONDITIONER DUCT

(A)=EG765-KPQ
 (B)=EG775-KPQ
 (C)=EG782-KPQ

(D)=
 (E)=
 (F)=



REF.	LEV.	PARTS NO.	DESCRIPTION	QTY						I	R
				(A)	(B)	(C)	(D)	(E)	(F)		
1	1	194990-22130	NUT W/WASHER 6	5	5	5					
2	1	198093-61560	SCREW M5X16,TAPPING	8	8	8					
3	1	198071-61890	NUT 6,SPEED	2	2	2					
4	1	1A7030-87260	SEAT, GRILL FRONT	2	2	2					
5	1	1A7470-87320	SEAL, DUCT SIDE	2	2	2					
6	1	1A7030-87411	AIR-CON GRILL CMP	2	2	2					
7	1	1A7470-87420	DUCT, F	1	1	1					
8	1	1A7470-87430	DUCT, SIDE L.H.	1	1	1					
9	1	1A7470-87440	DUCT, SIDE R.H.	1	1	1					
10	1	1A7470-87450	NUT, M5	8	8	8					
11	1	1A7470-87500	SHUTTER UNIT,	1	1	1					
12	2	1A7470-87511	BRACKET, SHUTTER	1	1	1					
13	2	1A7470-87561	SHUTTER ASSY,	1	1	1					
14	2	1A7030-87590	SHAFT,	1	1	1					
15	2	1A7470-87660	SPRING, TORSION 2.0	1	1	1					
16	2	1A7470-87860	SEAL, SHUTTER	2	2	2					
17	2	22190-060003	SEAL WASER 6	3	3	3					
18	2	22417-160160	COTTER PIN 1.6X16	2	2	2					
19	1	198248-87651	FOAM, DUCT SIDE	2	2	2					
20	1	1A7470-87680	BRACKET, B FILTER	1	1	1					
21	1	1A7470-87690	SEAL, BRACKET FILTER	1	1	1					
22	1	1A7470-87710	BRACKET ASSY, FILTER	1	1	1					
23	1	22157-060000	WASHER 6	2	2	2					
24	1	26106-060122	BOLT M 6X 12 PLATED	2	2	2					
25	1	26106-060202	BOLT M 6X 20 PLATED	2	2	2					

Fig.168. LABEL(CABIN)

(A)=EG765-KPQ
 (B)=EG775-KPQ
 (C)=EG782-KPQ

(D)=
 (E)=
 (F)=

REF.	LEV.	PARTS NO.	DESCRIPTION	QTY						I	R
				(A)	(B)	(C)	(D)	(E)	(F)		
1	1	1A7620-65500	LABEL	1	1	1					
2	1	1A7690-65630	LABEL, YANMAR	1	1	1					
3	1	1A7480-65950	LABEL,	1	1	1					
4	1	1A7620-89530	LABEL,	1	1	1					
5	1	1A7620-89540	LABEL,	1	1	1					

2
YANMAR

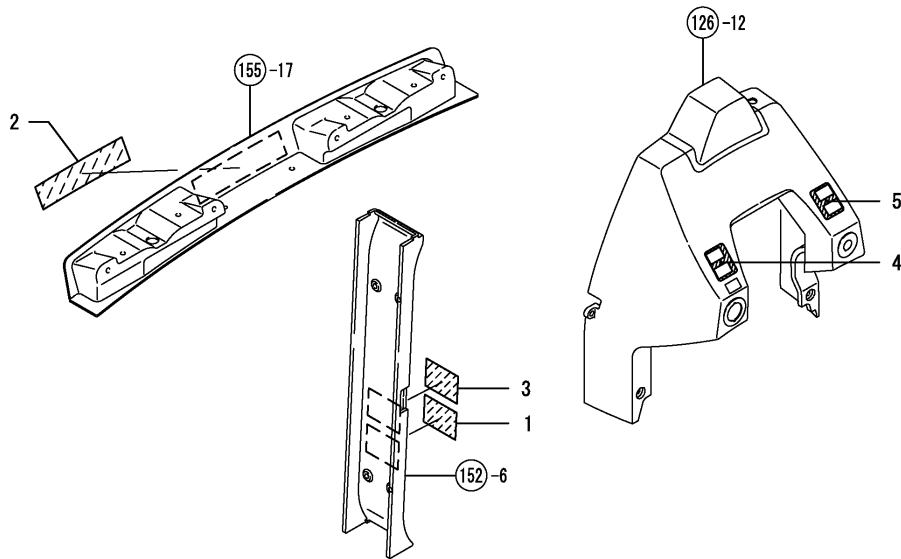
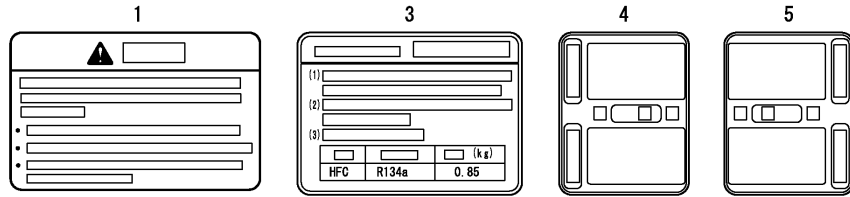


Fig.169. DOCUMENT

(A)=EG765-KPQ
(B)=EG775-KPQ
(C)=EG782-KPQ

(D)=
(E)=
(F)=

REF.	LEV.	PARTS NO.	DESCRIPTION	Q'TY						I	R
				(A)	(B)	(C)	(D)	(E)	(F)		
1	1	0A043-K00100	OPERATION MANUAL	1	1	1					

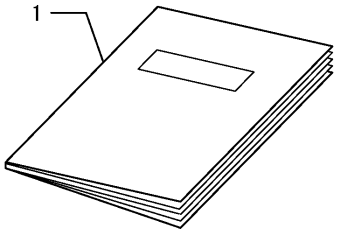


Fig.170. OPTION(STABILIZER

(A)=EG765-KPQ
 (B)=EG775-KPQ
 (C)=EG782-KPQ
 (D)=
 (E)=
 (F)=

REF.	LEV.	PARTS NO.	DESCRIPTION	Q'TY						I	R
				(A)	(B)	(C)	(D)	(E)	(F)		
1	1	1A7450-74710	STABILIZER	1	1	1					
2	1	1A7450-74720	WASHER, 18	1	1	1					W
		(A=*2009.08.)	(B=*2009.08.)	(C=*2009.08.)							

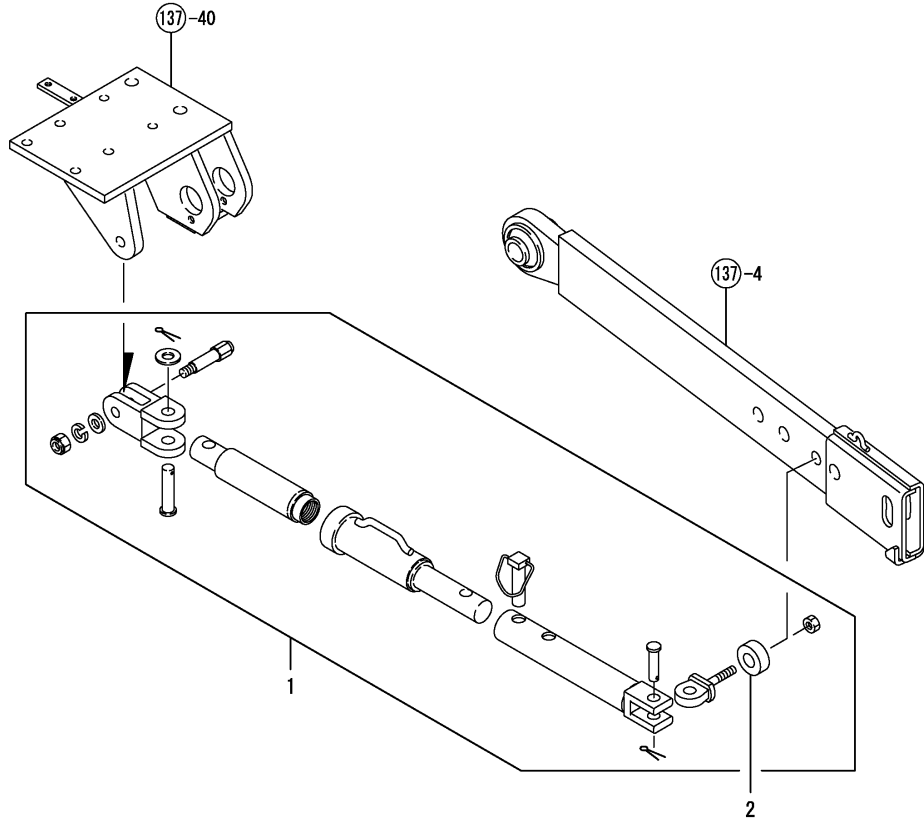
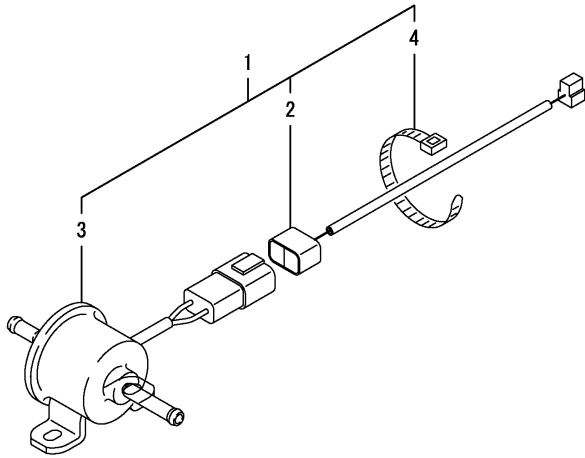


Fig.171. REPAIR PARTS(FUEL PUMP)

(A)=EG765-KPQ
 (B)=EG775-KPQ
 (C)=EG782-KPQ

(D)=
 (E)=
 (F)=

REF.	LEV.	PARTS NO.	DESCRIPTION	QTY						I	R
				(A)	(B)	(C)	(D)	(E)	(F)		
1	1	1A7450-51900	PUMP KIT, FUEL	1	1	1					
2	2	1A7450-51190	CABLE, FUEL PUMP	1	1	1					
3	2	129612-52100	PUMP, FUEL FEED	1	1	1					
4	2	29622-140001	BAND 140	1	1	1					



Part Number Index

All parts are stipulated in the order of part numbers.

(Depending on the area in which the part is used.)

This index will display the location of the part according to each part number.

PARTS No. INDEX

PARTS No.	Fig.	Ref.No.
0A043-K00100	169	1
101504-55101	9	5
104200-55080	9	4
		12
106990-44660	11	6
		7
		8
119017-12100	2	7
119060-61990	5	5
119117-12560	2	12
119117-12570	2	13
119160-12530	1	4
119160-12540	1	5
	2	10
119160-12560	1	7
119160-12570	1	8
119225-52102	1	44
	2	49
119255-44660	1	37
	2	42
119259-44570	1	36
	2	41
119650-77910	1	51
	2	56
119650-77930	1	53
	2	58
119802-55710	1	47
	2	52
119802-55730	1	48
	2	53
120147-44810	159	4
121267-44590	1	31
	2	36
121450-44531	1	29
	2	34
121468-44540	1	32
	2	37
121470-44581	1	33
	2	38
121975-12601	1	11
	2	16
121975-12911	1	12
	2	17
121975-12920	1	13
	2	18
121975-12930	1	14
	2	19
121975-12940	1	15
	2	20
123950-12520	2	9

PARTS No.	Fig.	Ref.No.
123950-12550	1	6
	2	11
124450-44560	1	30
	2	35
124550-77030	103	26
124756-77040	103	27
		28
		29
		30
124766-59050	3	11
		12
		13
		27
	4	10
		11
		12
		28
	9	22
		23
126650-12680	1	10
	2	15
129052-77920	1	52
	2	57
129054-77800	5	6
129054-77811	5	8
129054-77820	5	9
129054-77830	5	10
129100-55690	1	46
	2	51
129150-49081	1	42
	2	47
129457-44520	1	24
	2	29
129457-44530	1	25
	2	30
129466-44510	1	28
	2	33
129467-44580	120	3
129550-49101	1	41
	2	46
129574-91580	119	6
		7
129612-12650	1	9
	2	14
129612-52100	1	62
	2	69
	171	3
129906-55700	1	45
	2	50
129963-12010	1	2

PARTS No.	Fig.	Ref.No.
129963-12501	1	3
129972-12010	2	2
129972-12060	2	3
129972-12070	2	4
129972-12080	2	5
129972-12501	2	8
129972-13580	1	17
	2	22
129972-13590	1	16
	2	21
129972-44500	1	22
	2	27
129972-44510	1	23
	2	28
129972-44550	1	26
	2	31
129972-44580	1	34
	2	39
129972-44600	1	27
	2	32
129972-49010	1	38
	2	43
129972-49020	1	39
	2	44
129972-49030	1	40
	2	45
129972-49150	1	43
	2	48
158802-85880	68	14
158830-85090	68	7
158830-85960	68	15
158830-87061	68	19
158830-87450	68	20
158833-87050	68	18
158835-85440	68	9
158835-85980	68	16
158835-85990	68	17
158836-85420	68	8
158856-85501	68	10
158856-85580	68	12
16826C-01020	140	2
16826C-02050	140	3
16826C-02100	140	4
16826C-03010	140	7
16826C-03050	140	8
16826C-03100	140	9
16826C-03110	140	10
16826C-04060	140	11
168HP1-85570	68	11
168HQ0-85820	68	13

PARTS No.	Fig.	Ref.No.
171090-44600	1	35
	2	40
172010-07810	11	5
	105	1
	106	2
	110	1
		2
	159	2
172112-41980	63	6
	69	5
172187-61421	123	21
172447-75600	9	6
172455-75290	9	7
172455-75300	9	8
172460-74820	102	26
172510-74410	45	20
	94	18
172510-74440	94	19
172510-74450	94	20
172510-74471	94	21
174501-11150	99	1
174570-61080	124	15
174810-22130	21	9
174840-17190	63	1
174841-29350	99	5
174841-60720	149	3
174841-60730	149	4
174841-61880	124	28
174842-13740	54	1
174845-04320	10	1
175022-49700	9	21
178073-02320	140	5
178073-02340	140	6
178073-04310	140	12
178073-04320	140	13
178076-04140	94	6
178076-04150	94	7
178076-04210	94	8
178076-04300	94	5
178076-05420	140	14
178076-05550	68	2
178076-05560	68	3
178076-05570	68	4
178076-12400	68	5
178076-23300	140	15
178076-23400	140	16
185100-50070	5	7
194065-34170	29	6
		15
	30	4

PARTS No. INDEX

PARTS No.	Fig.	Ref.No.
194065-34170	79	6
		15
194065-34720	79	8
		17
194065-38350	99	9
	136	10
	141	1
194065-47830	98	19
194065-60570	6	13
194065-60580	151	2
194066-13130	71	1
194066-28260	49	34
194080-58820	124	5
194080-75790	139	13
194120-34180	78	6
194120-34511	79	7
		16
194120-34540	79	2
		11
194130-37730	84	8
194145-51550	111	7
194145-61570	58	32
194145-61651	125	13
194145-73150	137	38
194146-21150	38	9
194150-01270	58	26
194150-21910	38	10
	129	6
	146	1
194150-22480	84	3
194150-24270	14	11
194150-45320	92	1
194150-52160	113	8
194151-47760	58	31
	97	9
194151-57210	151	1
194151-63250	6	14
194167-61650	95	20
	119	10
	126	6
194170-51210	110	3
194171-13870	25	16
194180-01240	122	1
194180-12471	18	15
194180-25550	51	2
	55	2
194180-34951	80	2
		3
194180-34960	80	4
194180-51640	106	10

PARTS No.	Fig.	Ref.No.
194180-61980	14	12
194180-71260	134	13
194180-71271	134	14
194180-72950	134	18
	135	6
	136	23
194181-14160	30	1
194181-14180	29	3
		12
	30	2
	79	5
		14
194181-14250	30	3
194185-06150	13	1
194190-26840	50	4
194197-25810	52	5
194205-36320	81	2
194205-63550	12	3
		4
194242-51660	110	8
194250-11140	15	3
194274-13580	25	2
194275-27750	25	17
194275-51210	95	19
	104	2
194300-25790	53	5
194301-12730	51	1
194310-24770	46	2
194310-27180	60	7
194310-47790	97	10
194311-13880	49	1
194312-25470	48	3
	49	23
194312-46750	91	12
194320-25650	49	26
194320-31560	71	4
194321-11940	23	4
194321-13230	20	2
194321-13250	20	4
194321-13270	20	6
194323-13290	20	7
194327-25660	49	28
194330-62530	75	10
194335-25640	49	25
194335-25650	49	27
194370-26350	55	7
194420-05210	128	1
194420-39360	67	32
194420-39370	67	33
194420-56620	9	14

PARTS No.	Fig.	Ref.No.
194420-62260	102	25
	122	29
194430-25460	49	22
	53	2
194430-25810	49	29
194440-25810	53	6
194440-51620	105	4
		5
	143	3
194440-51630	128	3
194450-11190	38	1
		2
	129	2
		3
		4
		5
194450-12552	18	3
		10
194450-12562	18	4
		11
194450-44230	88	2
194450-48830	164	3
194464-25600	51	7
194464-33130	74	2
194464-48850	164	4
194465-13240	20	3
194465-13260	20	5
194515-01190	8	3
	125	1
	162	1
194515-25530	53	3
194515-25690	53	4
194555-04280	64	1
194555-25550	67	7
194555-25560	67	9
194555-25570	67	10
194555-25760	67	17
194555-25790	67	18
194555-42280	86	9
194555-46380	91	8
194555-56890	104	14
194555-61640	126	4
	143	4 -1
194555-77120	140	18
194555-77910	91	13
194556-42220	86	7
194640-25860	51	13
194640-26130	49	31
194640-26440	48	4
	49	33

PARTS No.	Fig.	Ref.No.
194640-34140	78	4
194640-34150	78	5
194640-46410	92	5
194640-46420	92	6
194640-62960	154	13
194640-65730	131	19
194641-13210	20	1
194641-13670	23	7
194641-13840	22	4
194660-34701	79	4
		13
194680-26150	49	32
194680-27540	62	8
	65	3
194680-51560	111	8
194680-51670	6	11
	103	14
		15
		16
		17
		18
		19
	105	6
		7
		8
		9
		10
	109	7
	165	36
		37
194680-77770	140	20
194680-78350	110	10
	143	25
	165	39
194697-47150	147	1
194697-62560	153	5
		6
194740-00160	58	22
194820-27370	63	5
		11
	69	4
194850-26370	53	15
194850-31380	48	5
	54	11
194850-49340	94	9
194850-49380	94	10
194850-49400	94	11
194850-49410	94	12
194850-49440	94	13
194850-49450	94	14

PARTS No. INDEX

PARTS No.	Fig.	Ref.No.
194850-49460	94	15
194850-49480	94	16
194850-49490	94	17
194940-47341	96	8
194940-61790	58	42
	95	21
	125	16
		17
		18
	126	10
	143	4
	153	1
	165	38
194950-78250	58	17
194951-14430	67	2
194951-14440	67	3
194990-20170	63	3
		9
	69	2
194990-22040	41	1
194990-22110	109	1
	142	1
	144	1
		2
		3
194990-22120	82	2
	118	1
	128	18
		22
	157	1
	162	2
194990-22130	3	3
		4
	4	3
		4
	5	4
	6	8
	103	1
		2
		3
	114	2
		3
	120	2
	142	2
	144	4
	161	1
	165	34
		35
	167	1
194990-22140	3	5

PARTS No.	Fig.	Ref.No.
194990-22140	6	9
	8	8
	64	2
	85	1
	99	2
		3
	103	4
	111	1
	118	31
	122	5
		6
		7
		8
	143	1
	145	1
	150	1
	159	3
	161	2
	164	1
195188-11210	21	2
		5
195397-27810	134	2
195399-14790	26	4
195715-22590	3	6
	4	5
197810-83230	60	15
197820-84740	150	18
		19
		22
197820-84750	150	20
		21
		23
	151	23
197821-85430	158	1
197830-85490	103	32
	122	30
198010-85810	12	5
	104	16
	152	16
		17
		18
	153	16
198071-01340	6	4
198071-01390	6	6
198071-04331	9	18
198071-04490	124	1
198071-13780	25	9
198071-15612	31	5
198071-15720	33	2
198071-15740	33	3
198071-17330	136	8

PARTS No.	Fig.	Ref.No.
198071-21140	38	8
198071-24340	43	19
	44	3
198071-25590	49	24
	67	13
198071-25610	67	14
198071-37510	82	12
198071-37781	83	7
198071-37791	83	8
198071-37820	83	9
198071-48350	101	2
198071-48390	164	2
198071-53610	118	6
198071-53660	118	8
		15
198071-53670	118	9
198071-53710	118	17
198071-53770	118	20
198071-56290	6	12
198071-57110	121	1
198071-58810	147	57
		60
	155	1
198071-61890	117	18
	125	20
		21
	126	13
	127	3
		4
	152	1
	155	2
	167	3
198071-62791	153	11
198071-62800	129	14
198071-62890	129	15
198071-65610	125	28
		29
198071-78420	117	19
	123	26
		27
	125	30
		31
	143	23
198071-78790	142	11
198071-85440	157	2
		3
198072-13760	25	7
198072-17440	34	12
198072-17840	34	16
198072-18320	134	1

PARTS No.	Fig.	Ref.No.
198072-25520	67	5
198072-25570	67	11
198072-60590	125	3
		4
198075-18311	60	6
198091-25570	67	12
198091-25640	67	16
198092-71720	134	17
198093-61560	167	2
198093-82510	130	18
	147	35
	155	6
		6 -1
198093-84810	31	24
		25
	145	14
		15
	154	19
	165	41
198093-85650	121	2
	153	15
	155	20
		21
		22
198093-86180	106	14
198094-62720	129	8
198094-62750	129	11
198094-62770	129	12
198094-62790	129	13
198094-82540	151	3
198094-82550	150	2
	151	4
		5
		6
198094-83640	151	13
198094-85570	155	16
198094-86060	160	2
	161	3
198094-86410	158	2
198094-86560	160	3
198094-86580	161	18
198119-25510	67	4
198119-25520	67	6
198119-25620	67	15
198119-27150	62	1
	65	2
198121-55510	143	14
198121-61420	124	18
198121-77280	140	19
198127-83150	128	25

PARTS No. INDEX

PARTS No.	Fig.	Ref.No.
198127-83150	128	26
	155	7
198127-83210	164	12
198129-27290	63	10
198129-29310	99	6
198129-78710	114	8
	144	14
	164	10
198129-78720	142	8
	164	11
198133-02120	102	1
	122	3
198133-11132	15	5
198133-13240	55	1
198133-13680	17	4
198133-13790	17	5
	25	11
198133-13810	19	3
198133-17370	136	9
198133-22510	82	5
198133-22530	82	6
198133-25860	51	14
198133-27781	60	8
198133-27820	60	9
198133-52170	3	9
		10
	4	8
		9
	115	2
198133-62050	124	29
198133-64400	156	2
198138-29990	99	7
198141-11111	15	4
198149-25790	51	9
198149-25890	51	15
198151-61080	123	12
198151-73230	137	39
198153-04290	9	3
198153-04670	10	11
198153-13860	25	15
198153-14110	27	1
198153-46920	93	1
198153-51020	104	12
198153-51040	104	13
198153-51510	10	12
198153-51700	103	7
198153-51810	84	15
	113	2
198153-52150	104	11
198153-53410	117	16

PARTS No.	Fig.	Ref.No.
198153-65351	131	3
198153-71121	134	4
198153-71131	134	5
198153-71140	134	6
198153-71150	134	7
198153-71501	134	8
198153-71601	134	9
198153-71701	134	10
198153-71810	134	11
198153-74100	137	12
		30
198153-83710	150	14
	151	16
198153-83720	150	15
	151	17
198153-83730	150	16
	151	18
198153-83870	154	15
		16
198153-86920	154	21
198155-51290	124	4
198155-73620	137	7
		24
198163-65350	133	7
198163-65930	133	12
198163-65940	133	13
198165-01130	58	24
198165-25840	49	30
198190-27170	58	6
198190-27180	58	8
198190-27230	58	10
198196-83170	58	45
	96	11
	125	32
198200-18350	61	1
198208-87410	165	10
198208-87980	165	21
198208-89530	164	27
198212-24140	43	10
198212-24910	46	3
198212-25680	51	8
198212-26240	53	10
198212-26260	53	12
198212-26380	53	16
198212-26440	53	17
198212-26580	53	18
198212-26590	53	19
198212-27990	65	7
198212-33150	74	4
198213-24700	140	17

PARTS No.	Fig.	Ref.No.
198217-33650	77	11
198220-11520	14	6
	16	3
		4
	138	1
198220-11530	14	8
198220-22520	144	5
198220-25830	51	10
198220-25840	51	11
198220-37900	75	8
	83	10
		11
	84	14
198220-45350	92	2
198220-45370	92	3
198220-46400	92	4
198220-48750	36	4
198220-51340	164	5
198220-52180	103	24
198220-61340	122	25
198220-61351	102	24
	122	26
		27
	164	9
198220-61800	123	25
198220-62220	136	2
198220-63340	156	1
198220-63850	58	43
	143	5
	153	12
	162	3
198220-85290	129	19
198223-52150	113	6
198230-61560	31	20
		21
		22
	123	24
	124	24
		25
198230-61960	122	28
198240-11550	16	5
198240-21270	39	1
	138	2
198240-24530	43	5
198240-48850	102	10
198240-56630	9	15
198245-51210	109	2
		3
		4
		5

PARTS No.	Fig.	Ref.No.
198248-87651	167	19
198251-11220	23	3
198251-13670	19	2
198255-24460	43	20
198255-82650	148	6
	150	3
	151	7
198255-82660	150	4
	151	8
198255-82690	147	47
198255-82701	147	48
198255-82850	150	5
198255-83510	155	9
		10
198255-83550	147	63
	155	11
		12
198265-04950	11	3
198265-48810	102	8
198266-17260	34	3
198266-17330	34	5
198266-17360	34	7
198266-17402	34	10
198266-17440	34	13
198266-17481	34	14
198266-17492	34	15
198266-24980	87	1
198266-26390	26	5
198266-32670	73	5
198266-32680	78	1
198266-43391	87	8
198266-43400	87	9
198266-43421	87	10
198266-43480	87	11
198268-01151	6	1
198268-34850	29	7
		16
	79	9
		18
198268-42922	12	1
		2
198268-43500	91	6
198268-46552	97	1
198268-46580	95	10
	97	2
198268-46600	95	11
	97	3
198268-46610	95	12
	97	4
	97	4
198268-46820	94	29

PARTS No. INDEX

PARTS No.	Fig.	Ref.No.
198268-46831	94	30
198268-46860	94	2
198268-46861	94	2 -1
198268-46871	94	32
198268-46911	94	4
198268-46980	93	2
198268-47451	97	13
198268-51290	110	6
198268-56600	9	13
198268-61470	124	20
198268-61490	123	23
198268-61501	124	22
198268-63350	130	11
198268-63360	130	12
198268-71710	134	16
198268-72711	136	12
198268-72720	136	13
198268-72740	136	14
198268-73630	137	8
		26
198268-75750	139	12
198268-75810	139	3
198268-75820	139	4
198268-78610	136	24
198268-82270	147	22
		23
198268-84320-1	152	9
198269-34140	80	1
198269-52190	114	4
198273-01230	59	1
198273-27860	63	18
198273-27890	63	19
198273-28520	83	1
198280-86430	158	3
198290-37510	31	18
	42	4
	75	7
	84	1
198290-78550	58	44
	97	14
198320-31530	71	2
198320-31550	71	3
198320-31570	71	5
198320-31630	71	6
198320-31820	71	7
198320-32111	71	8
198327-51530	111	4
198360-03260	159	1
198360-53630	118	3
198360-78571	144	10

PARTS No.	Fig.	Ref.No.
198360-78571	144	11
198361-77371	141	5
198361-77380	141	4
198401-13720	25	4
198401-13790	25	12
198401-14150	27	4
198415-25840	51	12
198440-11080	15	2
198440-11090	15	1
198440-25430	49	20
198440-34130	78	3
198448-01110	58	23
198448-01172	58	25
198448-01390	5	1
198448-04810	5	2
198448-04840	5	3
198448-04930	11	1
198448-04950	11	4
198448-13410	21	7
198448-13420	21	3
198448-14610	28	1
198448-14670	28	3
198448-15280	31	9
198448-15450	31	15
	42	1
198448-15650	31	16
198448-15700	33	1
198448-15750	31	17
198448-17190	35	3
198448-18110	60	2
198448-21280	39	2
198448-22190	40	2
198448-22520	42	3
198448-24940	43	23
198448-28220	67	23
198448-28330	67	26
198448-28340	67	27
198448-28370	67	29
198448-28430	45	13
198448-33120	74	1
198448-33220	75	1
198448-33280	46	4
198448-33310	75	2
198448-33340	75	4
198448-33390	75	6
198448-37250	82	7
198448-37360	82	4
		8
		11
198448-37450	84	4

PARTS No.	Fig.	Ref.No.
198448-37530	84	5
198448-37600	84	6
198448-43331	91	1
198448-43340	91	2
198448-45150	89	2
198448-46300	91	7
198448-46610	69	13
	90	2
198448-46621	91	9
198448-46630	91	10
198448-46660	91	11
198448-47170	98	3
		4
198448-47850	98	21
198448-48140	99	14
	100	1
198448-48340	99	19
198448-48570	99	29
198448-48980	101	3
198448-51320	104	7
198448-51450	99	38
198448-51460	3	7
	4	6
	141	2
		3
	164	6
198448-51510	111	2
198448-51910	3	8
	4	7
	103	22
		23
	104	10
198448-52210	116	2
198448-52250	64	12
	114	5
198448-52260	143	8
198448-52280	143	9
198448-53320	117	4
		14
198448-56050	119	8
198448-56051	119	8 -1
198448-56150	119	5
198448-60080	123	6
	164	7
198448-60960	3	14
198448-61661	126	8
198448-65590	125	27
198448-75320	139	8
198448-75440	139	10
198448-78560	142	5

PARTS No.	Fig.	Ref.No.
198448-78560	144	9
198450-51510	111	3
198451-28750	49	35
	53	20
198451-78570	58	18
198451-78640	58	19
198460-83350	128	27
		28
	129	17
		18
	145	9
	150	6
		7
	151	9
		10
		11
	155	8
198461-04490	124	2
		3
198461-52950	103	25
	106	11
	110	9
198461-60590	119	9
	126	2
	127	1
		2
	146	2
198463-03140	8	6
198463-61630	126	3
198463-61640	126	5
198463-61650	126	7
198463-62040	128	5
198463-62170	146	3
198463-62320	127	8
198463-62330	127	10
198463-62430	128	16
198463-62440	128	20
198463-62460	146	4
198463-62470	146	5
198463-82230	155	5
198463-82350	147	24
198463-82550	147	38
198463-82632	148	4
198463-82640	148	5
198463-83110	149	5
198463-83150	149	6
198463-83160	149	7
198463-83230	149	8
198463-83250	149	9
198463-83411	150	8

PARTS No. INDEX

PARTS No.	Fig.	Ref.No.
198463-83421	150	9
198463-83432	150	10
198463-83451	150	11
198463-83540	150	12
198463-83571	150	13
198463-83610	151	12
198463-83740	151	19
198463-83760	150	17
198463-83780	151	20
198463-83790	151	21
198463-84150	152	5
198463-84250	152	8
198463-84330	152	10
198463-84750	151	24
198463-84760	152	15
198463-85740	154	20
198463-85870	155	23
198463-86651	104	17
198463-86771	162	5
198463-86790	162	6
198463-86820	162	7
198463-86851	152	19
198463-87630	165	47
198475-37690	84	13
198475-37770	82	14
198475-37780	82	15
198475-65030	125	25
		26
198475-74700	137	15
		33
198487-25550	67	8
198492-82590	147	41
198492-84720	152	14
198535-13790	25	13
198535-14130	27	3
198535-15580	32	5
198535-15590	32	6
198535-24120	43	9
198535-28241	67	24
198535-37301	82	9
198535-48080	101	1
198535-52110	106	5
198535-52120	106	6
198535-52130	106	7
198535-52140	106	8
198535-52410	106	4
198535-54500	118	27
198535-60330	122	12
198535-61250	124	16
198535-65670	132	11

PARTS No.	Fig.	Ref.No.
198535-78420	143	16
198535-78430	143	17
198535-78440	143	18
198535-78450	143	19
198535-78460	143	20
198535-78470	143	21
198535-83650	151	15
198535-86300	161	4
198535-86340	161	4 C
198535-86450	161	4 A
198535-86470	161	4 B
198550-60650	125	5
198550-86410	161	15
198550-86420	161	16
198550-86430	161	17
198550-86540	159	6
198550-86570	159	8
198550-86590	159	7
198550-86610	159	9
198550-86640	159	10
198550-86680	159	14
1A1040-41610	126	1
1A2320-91320	122	31
1A6150-73700	137	11
		29
1A6150-91251	133	14
1A6280-85540	147	64
1A6380-56050	119	8 -2
1A6381-52520	128	10
		13
1A6481-62650	128	19
		23
1A6502-34920	79	3
		12
1A6680-21460	14	10
1A6750-29850	68	6
1A7000-51430	104	8
1A7000-51440	104	9
1A7000-52820	103	8
1A7000-57210	120	4
1A7020-54510	118	28
1A7020-54540	118	29
1A7020-54560	118	30
1A7030-80940	165	40
1A7030-84141	152	4
1A7030-86870	152	20
1A7030-86980	165	3
1A7030-87040	165	4
1A7030-87120	163	10
1A7030-87140	164	16

PARTS No.	Fig.	Ref.No.
1A7030-87151	165	5
1A7030-87190	165	7
1A7030-87211	166	2
1A7030-87220	166	3
1A7030-87230	166	4
1A7030-87240	166	11
1A7030-87251	166	12
1A7030-87260	167	4
1A7030-87270	166	13
1A7030-87280	166	14
1A7030-87290	166	15
1A7030-87300	166	16
1A7030-87310	166	17
1A7030-87330	166	18
1A7030-87340	166	19
1A7030-87350	166	20
1A7030-87360	166	21
1A7030-87411	167	6
1A7030-87590	167	14
1A7030-87720	165	49
1A7030-87730	165	50
1A7030-87790	165	8
		11
1A7030-87810	165	12
1A7030-87820	165	51
1A7030-87850	165	13
1A7030-87881	163	3
1A7030-87911	163	18
1A7030-87970	165	18
1A7030-87990	165	22
1A7030-88050	164	20
1A7030-88060	165	23
1A7030-88070	166	22
1A7030-88090	166	24
1A7030-88100	166	25
1A7030-88110	166	26
1A7030-88120	166	27
1A7030-88130	166	28
1A7030-88140	166	29
1A7030-88150	166	30
1A7030-88160	166	31
1A7030-88170	166	32
1A7030-88180	166	5
1A7030-88190	166	6
1A7030-88200	166	7
1A7030-88210	165	9
1A7030-88230	166	8
1A7030-88250	166	33
1A7030-88680	165	52
1A7030-88710	163	14

PARTS No.	Fig.	Ref.No.
1A7030-88710	165	32
1A7030-88760	163	11
		13
	165	20
1A7030-88820	163	6
	166	9
1A7030-88840	163	4
		8
	165	17
	166	10
1A7030-89860	163	21
1A7030-89870	163	22
1A7030-89930	163	23
1A7030-89940	163	24
1A7030-89950	163	25
1A7030-89960	163	26
1A7030-89970	163	27
1A7030-89980	163	28
1A7090-24430	45	4
1A7260-18540	114	1
1A7260-43450	91	5
1A7260-52190	115	3
1A7260-53350	117	15
1A7260-78150	142	3
1A7260-78610	113	17
1A7260-78700	142	7
1A7270-83640	151	14
1A7320-61140	160	1
1A7320-64510	156	3
1A7320-82150	148	1
1A7320-82380	147	9
		16
1A7320-82460	147	10
		18
1A7320-82750	147	51
1A7320-82760	147	53
1A7320-82770	147	55
1A7320-85810	156	4
1A7320-86640	159	13
1A7320-86650	159	12
1A7320-87892	163	17
1A7320-87902	163	16
1A7320-87922	163	19
1A7320-87990	163	20
1A7340-52290	143	10
1A7350-26360	53	13
1A7350-33140	74	3
1A7400-63630	127	14
1A7450-01250	122	2
1A7450-01340	6	5

PARTS No. INDEX

PARTS No.	Fig.	Ref.No.
1A7450-03100	8	4
1A7450-03110	8	1
1A7450-03130	8	5
1A7450-03170	8	7
1A7450-03200	8	2
1A7450-04150	9	10
1A7450-04210	9	11
1A7450-04270	129	1
1A7450-04400	9	2
1A7450-04480	10	2
1A7450-04490	9	19
1A7450-04500	10	3
1A7450-04530	10	4
1A7450-04560	10	5
1A7450-04590	10	6
1A7450-04600	10	7
1A7450-04630	10	8
1A7450-04650	10	9
1A7450-04660	10	10
1A7450-06100	3	1
1A7450-06150	3	2
	4	2
1A7450-06201	13	2
1A7450-11311	15	6
1A7450-11330	14	3
1A7450-11340	14	4
1A7450-11350	14	5
1A7450-11401	123	1
1A7450-11410	123	2
1A7450-11431	123	3
1A7450-11501	16	1
1A7450-11520	14	7
1A7450-11530	14	9
1A7450-11550	16	6
1A7450-11901	17	1
1A7450-11921	17	2
1A7450-11950	17	3
1A7450-12311	18	1
1A7450-12321	18	8
1A7450-12331	18	2
1A7450-12341	18	9
1A7450-12351	18	6
1A7450-12361	18	13
1A7450-13100	19	1
1A7450-13220	16	7
1A7450-13300	21	1
1A7450-13380	21	6
1A7450-13451	23	1
1A7450-13510	22	1
1A7450-13520	22	2

PARTS No.	Fig.	Ref.No.
1A7450-13540	25	1
1A7450-13600	23	2
1A7450-13610	23	5
1A7450-13820	19	4
1A7450-14640	28	2
1A7450-14710	28	4
1A7450-14750	28	5
1A7450-15310	31	3
1A7450-15401	31	12
1A7450-15510	32	1
1A7450-15530	32	3
1A7450-15570	32	4
1A7450-15580	32	2
1A7450-17100	35	1
1A7450-17110	35	2
1A7450-17150	34	1
1A7450-17302	34	2
1A7450-17310	34	4
1A7450-17350	34	6
1A7450-17380	34	8
1A7450-17390	34	9
1A7450-17410	18	16
1A7450-17420	18	17
1A7450-17501	35	9
1A7450-17550	35	10
1A7450-17560	35	11
1A7450-17570	35	12
1A7450-17711	36	1
1A7450-17750	36	2
1A7450-17810	36	3
1A7450-17910	37	1
1A7450-19100	115	1
1A7450-21060	38	3
1A7450-22401	82	3
1A7450-24140	43	2
1A7450-24150	43	11
1A7450-24160	43	12
1A7450-24170	43	3
	4	4
1A7450-24180	38	12
	43	13
1A7450-24190	43	14
1A7450-24230	43	15
1A7450-24240	43	16
1A7450-24250	43	17
1A7450-24270	43	18
1A7450-24600	46	1
1A7450-24810	47	1
1A7450-24821	47	2
1A7450-24860	47	3

PARTS No.	Fig.	Ref.No.
1A7450-24870	47	4
1A7450-24880	47	5
1A7450-24920	43	21
1A7450-24930	43	22
1A7450-24980	87	2
1A7450-25790	52	4
1A7450-26010	54	3
1A7450-26020	54	4
1A7450-26030	54	5
1A7450-26050	54	2
1A7450-26070	55	3
1A7450-26090	65	1
1A7450-26120	54	8
1A7450-26130	54	9
1A7450-26140	54	10
1A7450-26190	53	7
1A7450-26210	53	8
1A7450-26220	53	9
1A7450-26240	53	11
1A7450-26310	55	4
1A7450-26321	55	5
1A7450-26340	55	6
1A7450-26362	55	8
1A7450-26370	55	9
1A7450-26381	55	10
1A7450-26431	55	11
1A7450-27180	63	2
	69	1
1A7450-27250	63	4
	69	3
1A7450-27290	62	2
1A7450-27490	62	4
1A7450-27531	62	7
1A7450-27550	64	7
1A7450-27613	64	8
1A7450-27652	64	9
1A7450-27720	63	12
1A7450-27731	63	8
1A7450-27790	65	4
1A7450-27850	63	16
1A7450-27881	65	5
1A7450-27910	63	17
1A7450-27950	65	6
1A7450-27990	58	40
	66	1
1A7450-28100	67	19
1A7450-28140	67	21
1A7450-28190	67	22
1A7450-28250	67	25
1A7450-28360	67	28

PARTS No.	Fig.	Ref.No.
1A7450-28710	67	30
1A7450-28720	67	31
1A7450-31401	70	1
1A7450-32311	72	2
1A7450-32312	72	2 -1
1A7450-32610	73	1
1A7450-32640	73	2
1A7450-32650	73	3
1A7450-32660	73	4
1A7450-32810	73	6
1A7450-32820	73	7
1A7450-33380	75	5
1A7450-33410	76	1
1A7450-33420	76	2
1A7450-33510	77	1
1A7450-33520	77	2
1A7450-33530	77	3
		4
		5
1A7450-33540	77	6
1A7450-33550	77	7
1A7450-33560	77	8
1A7450-33570	77	9
1A7450-33580	77	10
1A7450-34110	78	2
1A7450-36311	81	1
1A7450-36321	81	3
1A7450-36351	81	4
1A7450-36380	81	5
1A7450-36390	81	6
1A7450-36520	81	7
1A7450-36710	81	8
1A7450-36730	81	9
1A7450-36790	81	10
1A7450-37202	82	1
1A7450-37370	83	2
1A7450-37401	82	10
1A7450-37461	83	3
1A7450-37471	83	5
1A7450-37540	83	4
		6
1A7450-37550	82	13
1A7450-37610	84	2
1A7450-37620	84	7
1A7450-37650	84	12
1A7450-41110	85	2
1A7450-42101	86	1
1A7450-42150	86	4
1A7450-42181	86	5
1A7450-42191	86	6

PARTS No. INDEX

PARTS No.	Fig.	Ref.No.
1A7450-42260	86	8
1A7450-42510	87	3
1A7450-43100	87	4
1A7450-43270	87	6
1A7450-43280	87	5
1A7450-43310	87	13
1A7450-43320	86	10
1A7450-43330	87	14
1A7450-43370	87	15
1A7450-43380	86	11
1A7450-43390	86	12
1A7450-43410	91	3
1A7450-43461	87	18
1A7450-43611	87	19
1A7450-43641	87	20
1A7450-43680	87	21
1A7450-44210	88	1
1A7450-44260	88	3
1A7450-44410	88	4
1A7450-44420	88	5
1A7450-44510	88	6
1A7450-44540	88	7
1A7450-45102	89	1
1A7450-46110	95	1
1A7450-46171	95	2
1A7450-46201	95	3
1A7450-46230	96	1
1A7450-46280	96	2
1A7450-46390	95	5
1A7450-46400	95	7
1A7450-46450	96	3
1A7450-46470	96	5
1A7450-46510	95	9
1A7450-46580	90	1
1A7450-46620	96	6
1A7450-46690	95	13
1A7450-46700	95	14
1A7450-46750	95	16
1A7450-46760	95	17
1A7450-46810	94	1
1A7450-46880	94	3
1A7450-47101	98	1
1A7450-47190	98	5
1A7450-47200	98	6
1A7450-47400	95	18
1A7450-47510	144	6
1A7450-47520	144	7
1A7450-47530	98	8
1A7450-47540	98	9
1A7450-47610	98	10

PARTS No.	Fig.	Ref.No.
1A7450-47700	98	11
1A7450-47701	98	11 -1
1A7450-47710	98	13
1A7450-47720	98	14
1A7450-47770	98	15
1A7450-47791	98	16
1A7450-47800	98	17
1A7450-47810	98	18
1A7450-47840	98	20
1A7450-47850	98	22
1A7450-47870	134	3
1A7450-47890	98	23
1A7450-47970	98	2
		7
1A7450-48040	99	10
1A7450-48070	99	11
1A7450-48100	99	12
1A7450-48111	99	13
1A7450-48150	99	15
1A7450-48180	100	2
1A7450-48300	99	17
1A7450-48340	99	20
1A7450-48350	99	22
1A7450-48380	99	23
1A7450-48440	99	24
1A7450-48471	99	25
1A7450-48490	100	3
1A7450-48510	99	71
1A7450-48530	99	26
1A7450-48540	99	27
		27 -1
1A7450-48551	99	28
1A7450-48571	100	4
1A7450-48590	86	13
1A7450-48630	99	31
1A7450-48660	99	32
1A7450-48730	99	34
1A7450-48751	102	2
1A7450-48760	102	3
1A7450-48770	102	4
1A7450-48780	102	6
1A7450-48790	102	7
1A7450-48850	102	11
1A7450-48891	102	15
1A7450-49010	99	35
1A7450-49020	99	36
1A7450-49040	99	37
1A7450-51090	103	5
1A7450-51114	103	6
1A7450-51190	171	2

PARTS No.	Fig.	Ref.No.
1A7450-51200	104	1
1A7450-51220	107	1
1A7450-51230	108	1
1A7450-51240	109	6
1A7450-51270	103	10
1A7450-51350	103	11
1A7450-51421	103	12
1A7450-51510	111	5
1A7450-51541	111	6
1A7450-51710	103	20
1A7450-51820	84	16
1A7450-51900	171	1
1A7450-51930	112	1
1A7450-52110	113	3
1A7450-52130	113	4
1A7450-52180	106	9
1A7450-52210	113	11
1A7450-52230	113	12
1A7450-52310	143	11
1A7450-52330	143	12
1A7450-52450	113	15
1A7450-52510	144	8
1A7450-52580	113	16
1A7450-53200	117	2
1A7450-53230	117	3
		13
1A7450-53243	125	2
1A7450-53252	117	5
1A7450-53262	117	8
1A7450-53290	117	11
		123
		4
		5
1A7450-53300	117	12
1A7450-53370	117	6
		9
1A7450-53380	117	7
		10
1A7450-56170	119	2
1A7450-56180	119	3
1A7450-58211	105	13
1A7450-60231	122	11
1A7450-60372	122	13
1A7450-60470	124	6
1A7450-60501	122	14
1A7450-60551	122	15
1A7450-60610	124	7
1A7450-60620	124	8
1A7450-60630	124	9
1A7450-60680	122	17
1A7450-60690	122	18

PARTS No.	Fig.	Ref.No.
1A7450-60700	122	19
1A7450-60710	122	20
1A7450-60720	122	21
1A7450-60850	124	10
1A7450-60860	124	11
1A7450-60870	124	12
1A7450-60880	124	13
1A7450-60890	124	14
1A7450-60910	122	23
1A7450-60920	122	24
1A7450-60980	123	7
1A7450-61020	123	9
1A7450-61030	123	10
1A7450-61190	123	16
1A7450-61200	123	17
1A7450-61240	123	18
1A7450-61250	123	19
1A7450-61290	124	17
1A7450-61311	125	6
1A7450-61330	125	7
1A7450-61350	125	8
1A7450-61360	125	9
1A7450-61370	125	10
1A7450-61400	117	17
1A7450-61410	123	20
1A7450-61420	123	22
1A7450-61460	124	19
1A7450-61470	124	21
1A7450-61500	124	23
1A7450-61510	125	11
1A7450-61600	125	12
1A7450-61620	124	26
1A7450-61630	124	27
1A7450-61650-1	125	14
1A7450-61750	125	15
1A7450-61790	126	11
1A7450-61880	125	19
1A7450-61890	125	22
1A7450-61960	125	23
1A7450-62201	128	9
1A7450-62211	128	11
1A7450-62221	128	12
1A7450-62231	128	14
1A7450-62240	127	5
1A7450-62300	127	7
1A7450-62320	127	9
		152
		2
1A7450-62330	153	2
1A7450-62340	153	3
1A7450-62390	128	15

PARTS No. INDEX

PARTS No.	Fig.	Ref.No.
1A7450-62431	128	17
1A7450-62441	128	21
1A7450-62580	153	7
1A7450-62590	153	8
1A7450-62600	129	7
1A7450-62761	153	10
1A7450-63140	130	4
1A7450-63160	130	5
1A7450-63171	130	6
1A7450-63181	130	7
1A7450-71241	134	12
1A7450-72301	135	2
1A7450-72411	98	25
	135	3
	136	4
1A7450-72451	135	4
	136	5
1A7450-72480	135	5
	136	6
1A7450-72611	136	7
1A7450-72620	136	11
1A7450-72761	136	15
1A7450-73020	137	2
1A7450-73030	137	20
1A7450-73410	137	40
1A7450-73420	137	41
1A7450-73500	137	3
1A7450-73510	137	4
1A7450-73520	137	5
1A7450-73570	137	6
		22
1A7450-73600	137	21
1A7450-73610	137	23
1A7450-73620	137	25
1A7450-73700	137	42
1A7450-74010	137	10
		28
1A7450-74500	137	13
		31
1A7450-74540	137	19
		37
1A7450-74600	137	14
		32
1A7450-74710	170	1
1A7450-74720	170	2
1A7450-75100	139	1
1A7450-75110	139	2
1A7450-75141	138	3
1A7450-75151	138	4
1A7450-75700	139	11

PARTS No.	Fig.	Ref.No.
1A7450-77201	140	1
1A7450-78353	143	26
1A7450-78480	142	4
1A7450-78571	144	12
1A7450-78691	144	13
1A7450-80610	129	16
1A7460-06100	4	1
1A7460-22150	40	1
1A7460-60960	4	13
1A7470-15410	31	14
1A7470-27080	154	2
1A7470-46330	95	4
1A7470-51210	110	4
1A7470-51220	104	3
1A7470-51280	110	5
1A7470-51380	110	7
1A7470-58110	106	12
1A7470-58150	106	13
1A7470-60600	164	8
1A7470-60660	154	3
1A7470-60671	154	4
1A7470-60680	154	5
1A7470-60700	149	1
1A7470-60710	149	2
1A7470-60730	154	6
1A7470-60740	154	7
1A7470-61010	123	8
1A7470-62030	128	4
1A7470-62040	128	6
1A7470-62053	128	7
1A7470-62063	128	8
1A7470-62340	127	11
1A7470-62350	127	12
1A7470-62361	153	4
1A7470-62362	153	4 -1
1A7470-62410	145	2
1A7470-62420	145	3
1A7470-62450	145	4
1A7470-62660	153	9
1A7470-62731	129	9
1A7470-62741	129	10
1A7470-63101	130	1
1A7470-63120	130	2
1A7470-63130	130	3
1A7470-63242	130	8
1A7470-63280	130	9
1A7470-63290	130	10
1A7470-63370	130	13
1A7470-63380	130	14
1A7470-63390	130	15

PARTS No.	Fig.	Ref.No.
1A7470-63410	130	16
1A7470-63620-1	146	6
1A7470-63640	146	7
1A7470-63660	145	5
1A7470-63680	145	6
1A7470-81012	145	7
1A7470-81190	145	8
1A7470-82070	147	2
1A7470-82100	147	3
1A7470-82110	147	4
1A7470-82200	147	5
1A7470-82250	147	7
1A7470-82260	147	15
1A7470-82270	147	6
1A7470-82280	147	14
1A7470-82370	147	8
1A7470-82380	147	17
1A7470-82400	147	25
1A7470-82410	147	26
1A7470-82420	147	27
1A7470-82440	147	31
1A7470-82450	147	32
1A7470-82471	147	33
1A7470-82481	147	34
1A7470-82510	147	36
1A7470-82520	147	37
1A7470-82560	147	39
1A7470-82570	147	40
1A7470-82580	147	28
1A7470-82610	148	2
1A7470-82620	148	3
1A7470-82640	147	42
1A7470-82650	147	43
1A7470-82660	147	44
1A7470-82670	147	45
1A7470-82680	147	46
1A7470-82720	147	49
1A7470-82730	147	50
1A7470-82750	147	52
1A7470-82760	147	54
1A7470-82800	147	56
1A7470-82810	147	58
1A7470-82820	147	61
1A7470-82880	147	29
1A7470-82890	147	30
1A7470-82900	147	59
1A7470-82950	147	62
1A7470-84100	152	3
1A7470-84210	152	6
1A7470-84220	152	7

PARTS No.	Fig.	Ref.No.
1A7470-84770	154	17
1A7470-84780	154	18
1A7470-85500	155	15
1A7470-85620	155	17
1A7470-85630-1	155	18
1A7470-85640-1	155	19
1A7470-86080	159	5
1A7470-86250	157	4
1A7470-86270	157	5
		7
1A7470-86350	157	6
1A7470-86510	162	4
1A7470-86750	157	8
1A7470-86770	157	9
1A7470-87020	163	1
1A7470-87030	165	1
1A7470-87050	164	13
1A7470-87110	164	14
1A7470-87120	163	15
1A7470-87130	164	15
1A7470-87180	164	17
1A7470-87190	164	18
1A7470-87200	165	33
	166	1
1A7470-87220	165	42
1A7470-87230	165	43
1A7470-87250	164	19
1A7470-87320	167	5
1A7470-87350	165	44
1A7470-87360	165	45
1A7470-87420	167	7
1A7470-87430	167	8
1A7470-87440	167	9
1A7470-87450	167	10
1A7470-87460	155	24
1A7470-87500	167	11
1A7470-87511	167	12
1A7470-87561	167	13
1A7470-87600	165	46
1A7470-87660	167	15
1A7470-87680	167	20
1A7470-87690	167	21
1A7470-87710	167	22
1A7470-87770	155	25
1A7470-87810	155	26
1A7470-87830	155	27
1A7470-87860	167	16
1A7470-87910	165	14
1A7470-87920	165	15
1A7470-87930	163	5

PARTS No. INDEX

PARTS No.	Fig.	Ref.No.
1A7470-87940	163	7
1A7470-87950	165	16
1A7470-87960	163	9
1A7470-87970	165	19
1A7470-87980	163	12
1A7470-88080	166	23
1A7470-88101	164	21
1A7470-88140	164	22
1A7470-88160	164	23
1A7470-88210	164	24
1A7470-88222	164	25
1A7470-88242	164	26
1A7470-88280	166	34
1A7470-88410	165	24
1A7470-88420	165	25
1A7470-88430	165	26
1A7470-88440	165	27
1A7470-88450	165	28
1A7470-88630	165	29
1A7470-88640	165	30
1A7470-88650	165	31
1A7470-88750	165	53
1A7470-88950	165	54
1A7480-01200	6	3
1A7480-01410	6	7
1A7480-04020	9	1
1A7480-05550	14	1
1A7480-11100	14	2
1A7480-13530	22	3
1A7480-13710	25	3
1A7480-13720	25	5
1A7480-13750	25	6
1A7480-13770	25	8
1A7480-13780	25	10
1A7480-13810	26	1
1A7480-13820	26	2
1A7480-13830	26	3
1A7480-13850	25	14
1A7480-14120	27	2
1A7480-14720	29	2
		11
1A7480-14730	29	4
		13
1A7480-14760	29	5
		14
1A7480-14770	29	1
1A7480-14810	29	8
		17
1A7480-14820	29	9
		18

PARTS No.	Fig.	Ref.No.
1A7480-14870	29	10
1A7480-15100	31	1
1A7480-15200	31	2
1A7480-15300	31	10
1A7480-15600	31	4
1A7480-18100	60	1
1A7480-18210	60	3
1A7480-18250	60	4
1A7480-21080	38	4
1A7480-21111	38	6
1A7480-21130	38	7
1A7480-22430	41	2
1A7480-22440	41	4
1A7480-22450	38	11
1A7480-22460	41	5
1A7480-22510	42	2
1A7480-24100	43	1
1A7480-24300	44	1
1A7480-24401	45	1
1A7480-24420	45	3
1A7480-24430	45	5
1A7480-24440	45	6
1A7480-24451	45	7
1A7480-24460	45	8
1A7480-24470	45	9
1A7480-24481	45	10
1A7480-24490	45	11
1A7480-24510	45	12
1A7480-24530	99	4
1A7480-25110	48	1
1A7480-25120	48	2
1A7480-25201	49	2
1A7480-25220	49	4
1A7480-25230	49	5
1A7480-25240	49	6
1A7480-25250	49	7
1A7480-25260	49	8
1A7480-25271	49	9
1A7480-25280	49	10
1A7480-25290	49	11
1A7480-25300	49	12
1A7480-25310	49	13
1A7480-25320	49	14
1A7480-25340	49	15
1A7480-25350	50	1
1A7480-25360	50	2
1A7480-25370	50	3
1A7480-25400	49	16
1A7480-25410	49	19
1A7480-25430	49	17

PARTS No.	Fig.	Ref.No.
1A7480-25440	49	21
1A7480-25550	51	3
1A7480-25560	51	4
1A7480-25570	51	5
1A7480-25590	51	6
1A7480-25710	52	1
1A7480-25740	52	2
1A7480-25750	52	3
1A7480-25954	143	2
1A7480-26900	57	1
1A7480-27012	64	3
1A7480-27021	64	4
1A7480-27070	58	1
1A7480-27090	58	2
1A7480-27110	58	20
1A7480-27120	58	3
1A7480-27130	58	4
1A7480-27140	58	5
1A7480-27150	64	6
1A7480-27170	58	7
1A7480-27180	58	9
1A7480-27260	58	11
1A7480-27301	58	21
1A7480-27310	58	27
1A7480-27350	58	12
1A7480-27360	58	13
1A7480-27370	58	14
1A7480-27380	58	15
1A7480-27390	58	16
1A7480-27400	58	28
1A7480-27410	62	3
1A7480-27470	58	39
1A7480-27511	62	5
1A7480-27520	62	6
1A7480-27601	58	29
1A7480-28440	45	14
1A7480-28450	45	15
1A7480-29110	68	33
1A7480-29120	68	34
1A7480-29130	69	7
1A7480-29140	69	8
1A7480-29160	69	10
1A7480-29170	69	11
1A7480-29181	69	12
1A7480-29990	99	8
1A7480-46650	96	7
1A7480-47300	97	5
1A7480-47310	97	6
1A7480-47390	97	7
1A7480-47410	96	9

PARTS No.	Fig.	Ref.No.
1A7480-47420	96	10
1A7480-48250	99	16
1A7480-48310	38	13
1A7480-48330	99	18
1A7480-48340	99	21
1A7480-48610	99	30
1A7480-48670	99	33
1A7480-48770	102	5
1A7480-48810	102	9
1A7480-48850	102	12
1A7480-48870	102	13
1A7480-48880	102	14
1A7480-48890	102	16
1A7480-48920	102	17
1A7480-48950	102	18
1A7480-48960	102	19
1A7480-49050	102	20
1A7480-49070	102	21
1A7480-51120	105	2
1A7480-51121	105	2 -1
1A7480-51122	105	2 -2
1A7480-51160	106	3
1A7480-51290	143	7
1A7480-52110	113	5
1A7480-52130	116	1
1A7480-52180	60	14
1A7480-52250	113	14
1A7480-52340	58	41
1A7480-52350	143	13
1A7480-52510	114	6
1A7480-56030	119	1
1A7480-56200	119	4
1A7480-58110	114	7
1A7480-58160	105	11
1A7480-58200	105	12
1A7480-58210	45	19
1A7480-58220	38	14
1A7480-60100	122	10
1A7480-60670	122	16
1A7480-60830	102	22
1A7480-60930	102	23
1A7480-61080	123	13
1A7480-61090	123	14
1A7480-61670	126	9
1A7480-61790	126	12
1A7480-62270	127	6
1A7480-62350	127	13
1A7480-64770	131	1
1A7480-64870	131	16
1A7480-65010	125	24

PARTS No. INDEX

PARTS No.	Fig.	Ref.No.
1A7480-65400	131	17
1A7480-65420	131	4
1A7480-65470	131	5
1A7480-65480	133	3
1A7480-65500	131	6
1A7480-65520	131	7
1A7480-65570	132	4
1A7480-65581	132	7
1A7480-65591	132	8
1A7480-65601	132	9
1A7480-65611	155	3
1A7480-65621	155	4
1A7480-65631	132	10
1A7480-65640	132	5
1A7480-65650	132	6
1A7480-65660	131	8
1A7480-65690	131	9
1A7480-65750	131	11
1A7480-65770	131	20
1A7480-65790	131	21
1A7480-65830	132	3
1A7480-65840	131	13
1A7480-65850	132	1
1A7480-65860	132	2
1A7480-65910	131	15
1A7480-65950	168	3
1A7480-78330	143	6
1A7480-78380	143	22
1A7480-78410	143	27
1A7480-78430	143	28
1A7480-78610	142	6
1A7480-78811	142	9
1A7480-84330	152	11
1A7480-84520	127	15
1A7480-88180	38	15
1A7500-51810	103	21
1A7600-52222	113	13
1A7600-52223	113	13 -1
1A7610-29101	68	1
1A7620-26850	56	1
1A7620-27820	63	14
1A7620-27840	63	15
1A7620-64860	131	2
1A7620-65310	133	1
1A7620-65360	133	2
1A7620-65440	131	18
1A7620-65490	133	4
1A7620-65500	168	1
1A7620-65530	133	5
1A7620-65710	133	8

PARTS No.	Fig.	Ref.No.
1A7620-65720	131	10
1A7620-65730	133	9
1A7620-65750	131	12
1A7620-65790	131	22
1A7620-65850	131	14
1A7620-65910	133	11
1A7620-65920	133	10
1A7620-65950	131	24
1A7620-78310	143	15
1A7620-84700	152	12
1A7620-87100	133	6
1A7620-89530	168	4
1A7620-89540	168	5
1A7620-95950	133	15
1A7620-97220	133	16
1A7640-04940	11	2
1A7640-47170	98	3 -1 4 -1
1A7640-65790	131	23
1A7640-77380	141	6
1A7640-78900	142	10
1A7640-78980	142	13
1A7640-84710	152	13
1A7651-62120	153	17
1A7680-61810	154	8
1A7680-61820	154	9
1A7680-61840	154	10
1A7680-61850	154	11
1A7680-61860	154	12
1A7680-83720	154	14
1A7680-87650	165	48
1A7680-88950	165	55
1A7690-51550	103	13
1A7690-65630	168	2
1A7750-85450	155	13
1A7750-85460	155	14
1A7790-01160	6	2
1A7790-05570	122	4
1A7790-61070	123	11
1A7790-72790	136	16
		17
1A7890-04740	9	20
1A7890-51230	104	5
		6
1A7890-53400	118	2
1A7890-53600	118	5
1A7890-53630	118	7
		14
1A7890-53680	118	10
		16

PARTS No.	Fig.	Ref.No.
1A7890-53700	118	13
1A7890-53710	118	11
		18
1A7890-53720	118	12
		19
1A7890-53810	118	21
		24
1A7890-53820	118	22
		25
1A7890-53840	118	23
		26
1A7890-57200	104	15
1A7950-51220	104	4
1A8160-46670	90	3
1C6053-26020	60	13
	154	1
1C6215-48870	6	10
1C6281-52310	31	19
	42	5
	122	9
	136	1
1C6281-52320	41	6
	42	6
	75	9
	83	12
	84	17
1C6460-14340	53	1
	67	1
1C6900-07200	113	1
1C6900-23020	24	1
1C7100-08150	120	1
1E6190-55660	45	16
	46	5
	49	36
1E6190-55710	45	17
	46	6
	49	37
1E6191-54330	49	3
	53	14
	67	20
1E6480-56410	45	18
	49	38
1E6760-74150	130	17
	153	13
		14
1E6910-82500	103	31
1E8050-05510	106	1
1E8450-55230	51	16
	70	1 A
1E8540-82050	143	24

PARTS No.	Fig.	Ref.No.
1E8545-80080	165	2
		6
1E8545-80210	163	2
1E9170-81270	118	4
1K1140-82500	105	3
1R1002-00311	1	1
	2	1
41850-000110	91	19
41850-000140	45	29
	94	26
41850-000150	91	20
41850-000160	86	21
	91	21
41850-000180	45	30
	86	22
	92	8
41850-000200	45	31
	86	23
	136	20
41850-000220	36	11
	91	22
	99	67
		68
41850-000260	99	69
41850-000340	101	6
41850-000530	136	21
		22
41851-000120	91	23
	92	9
41851-000140	94	27
41851-000160	62	13
	65	12
41851-000180	91	24
41852-000300	43	42
41852-000650	43	43
41852-000750	78	9
41853-000800	87	12
41854-000080	53	26
41854-000500	67	43
41856-010180	91	25
41856-020230	99	70
41856-020400	67	44
41856-020530	94	28
		31
		33
41861-203007	74	10
41868-300000	43	8
794130-71410	98	24
	134	15
	135	1

MODEL : EG765,775,782-KPQ
PC NO : 0CNP4-G99000

PARTS No. INDEX

PARTS No.	Fig.	Ref.No.
794130-71410	136	3
	137	1
794251-13910	72	1
794321-13660	23	6
794660-34710	79	1
794660-34810	79	10

PARTS No.	Fig.	Ref.No.
-----------	------	---------

PARTS No.	Fig.	Ref.No.
-----------	------	---------

PARTS No.	Fig.	Ref.No.
-----------	------	---------



YANMAR CO.,LTD.



PARTS CATALOG

Published

2009/12 (Dec.)

0CNP4-G99100

Directions for the Parts Catalog.

1. The parts stipulated in this Parts Catalog are not necessarily standard equipped parts.
2. Parts may change without prior notice.
3. The following is an example of the Parts Catalog format.

REF.	LEV.	PARTS NO.	DESCRIPTION	Q'TY						I	R
				(A)	(B)	(C)	(D)	(E)	(F)		
1	1	729595-51390	FUEL INJECTION PUMP	1	1	1	1	1			1
1-1	1	729595-51391	FUEL INJECTION PUMP	1	1	1	1	1		N	1
		(A=E00185) (B=E00200)									
3	2	26022-060162	SCREW M 6X 16	9	9	9	9	9			
3-1	2	26022-060162	SCREW M 6X 16	4	4	4	4	4		K	
		(A=E00156) (B=E00156) (C=E00156) (D=E00156) (E=E00156)									
4	2	129470-51040	CAMSHAFT	1	1	1	1	1			
5	2	122710-51050	BEARING, ROLLER	2	2	2	2	2			
6	2	129470-51060	RETAINER	1	1	1	1	1			

Remarks
(1) BOOST COMPEMSATOR TYPE. OPTIONAL PART, TO E00155,(4JH-DT, 4JH-DTZ

① Ref. No.

The Ref. No. listed may not be in accordance with the illustration Ref. No.

(Ex.) Illustration No.

List Ref No.

1

1

(Before change)

1-1

(After change)

For interchangeable symbols N, R and K, illustrations for new parts may be abbreviated.

② Lev. (Level)

Level indication

The numbers below indicate the level of relativity towards the main part.

1 ----- Main parts (Assembly parts)

2 ----- Sub component included in " 1 ".

3 ----- Sub component included in " 2 ".

Note) Parts that are not for sale are partially illustrated but not listed.

③ Interchangeability Mark

When a part change takes place, one of the following interchangeability symbols is indicated beside the part.

Symbol	Interchangeability	Contents note
N	Old $\begin{matrix} \leftarrow \text{Yes} \\ \text{No} \rightarrow \end{matrix}$ New	New Part is interchangeable for Old Part but Old Part is not interchangeable for New Part.
Q	Old $\begin{matrix} \leftarrow \text{No} \\ \text{Yes} \rightarrow \end{matrix}$ New	New Part is not interchangeable for Old Part but Old Part is interchangeable for New Part.
R	Old $\begin{matrix} \leftarrow \text{Yes} \\ \text{Yes} \rightarrow \end{matrix}$ New	New/ Old Parts are both interchangeable.
S	Old $\begin{matrix} \leftarrow \text{No} \\ \text{No} \rightarrow \end{matrix}$ New	New/ Old Parts are both not interchangeable.
W		Part discontinued.
Z		Part newly added.
F		Not interchangeable by a single part but interchangeable together with related parts.
K		Changes only for used parts quantities.

④ Effective Machine No.

When a part changes, the effective Machine No. will be indicated in the (A)-(F) column.

Product Symbol	Product No.	Product Symbol	Product No.
C	Clutch No. Compressor No.	F	Machine No. (Agricultural Equip.)
D	Drive No.	M	Machine No.
E	Engine No.	Note 1)	Date

Note 1) A date may follow the symbol. (Ex.) 1996.01

Note 2) " XXX " are for parts that could not be predicted or for engine models that could not be identified.

Note 3) (A=E00185) is the E (Engine Serial Number) for the column (A) model (in this case 4JH-DT) after the parts design change.

⑤ Remarks Mark

Figures or alphabets (symbols) are entered in the remarks column.

The comments (remarks) on parts that are indicated at the bottom of the illustration are the same symbols as those stated above.

CONTENTS

MODEL : 4TNV98-RNQH
PC NO : 0CNP4-G99100

Fig.No. GROUP NAME
ENGINE SECTION (4TNV98-RNQH)

1. CYLINDER BLOCK
2. GEAR HOUSING
3. MOUNTING FLANGE & OIL SUMP
4. CYLINDER HEAD & BONNET
5. SUCTION MANIFOLD
6. EXHAUST MANIFOLD & SILENCER
7. CAMSHAFT & DRIVING GEAR
8. CRANKSHAFT & PISTON
9. HYDRAULIC PUMP
10. BALANCER
11. LUB.OIL SYSTEM
12. COOLING WATER SYSTEM
13. FUEL INJECTION PUMP
14. GOVERNOR
15. FUEL INJECTION VALVE
16. FUEL LINE
17. STARTING MOTOR
18. GENERATOR
19. COMPRESSOR MOUNTING
20. SHORT BLOCK

Fig.No. GROUP NAME

Fig.1. CYLINDER BLOCK

(A)=4TNV98-RNQH

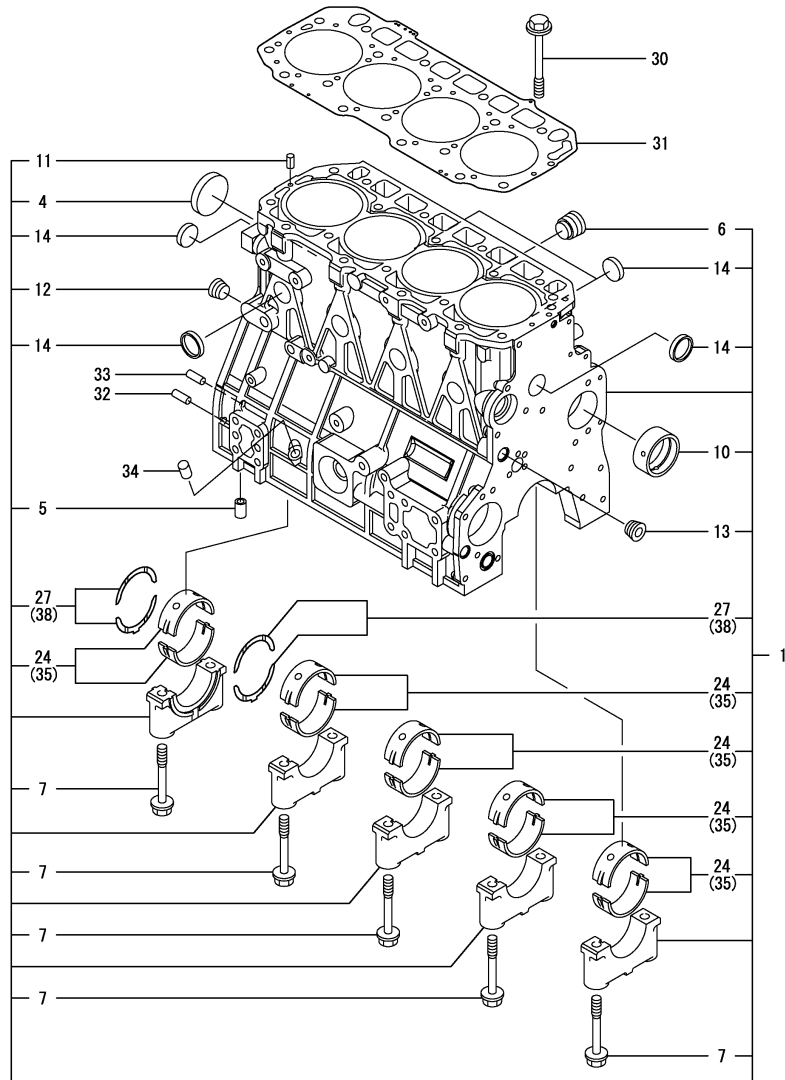
(B)=

(C)=

(D)=

(E)=

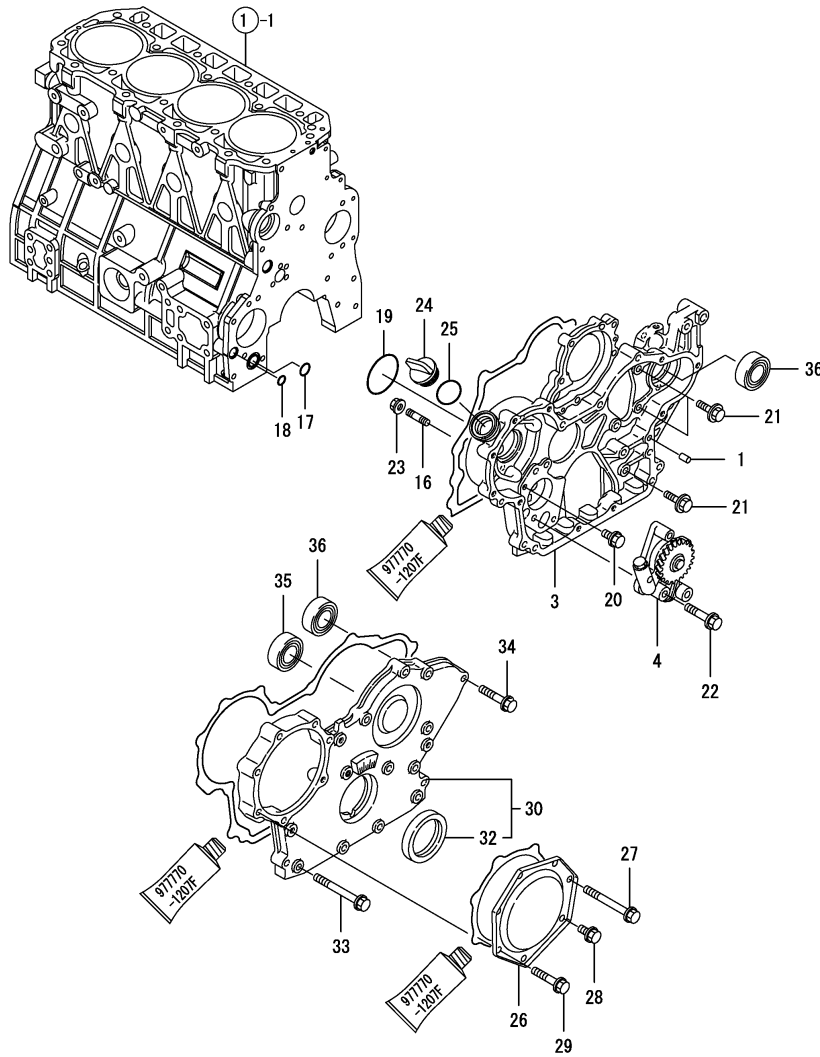
(F)=



REF.	LEV.	PARTS NO.	DESCRIPTION	QTY						I	R
				(A)	(B)	(C)	(D)	(E)	(F)		
1	1	729963-01560	BLOCK ASSY, CYLINDER	1							
4	2	129900-01250	PLUG 55	1							
5	2	129956-01710	KNOCK L=25	1							
6	2	171051-01921	PLUG	1							
7	2	129900-02020	BOLT, METAL CAP	10							
10	2	129900-02410	BUSH, CAMSHAFT	1							
11	2	22351-060012	SPRING PIN 6X12	2							
12	2	23876-030000	PLUG PT3/8,SCREW	1							
13	2	23876-030000	PLUG PT3/8,SCREW	1							
14	2	27241-300000	PLUG 30	8							
24	2	729900-02801	MAIN BEARING SET	5							3
27	2	129900-02931	BEARING ASSY, THRUST	2							
30	1	129900-01200	BOLT, HEAD	18							
31	1	129907-01331	GASKET,CYLINDER HEAD	1							
32	1	129100-01580	PARALLEL PIN 8X16	2							
33	1	129100-01580	PARALLEL PIN 8X16	2							
34	1	119309-01810	PLUG	1							
35	1	129900-02341	MAIN BEARING US=0.25	5							1
38	1	129900-02941	BEARING,THRUST .25OS	2							2

Remarks
 (1) UNDER-SIZE(U.S=0.25)PART.
 (2) OVER-SIZE(O.S=0.25)PART.
 (3) REPAIR PART.
 (REMARKS)"EFFECTIVE MACHINE NO." OF
 ENGINE IS INDICATED ON THE
 ENGINE LABEL WHICH IS SHOWN
 IN FIG.4.

Fig.2. GEAR HOUSING



0CNP4-G99100 2. GEAR HOUSING

(A)=4TNV98-RNQH

(B)=

(C)=

(D)=

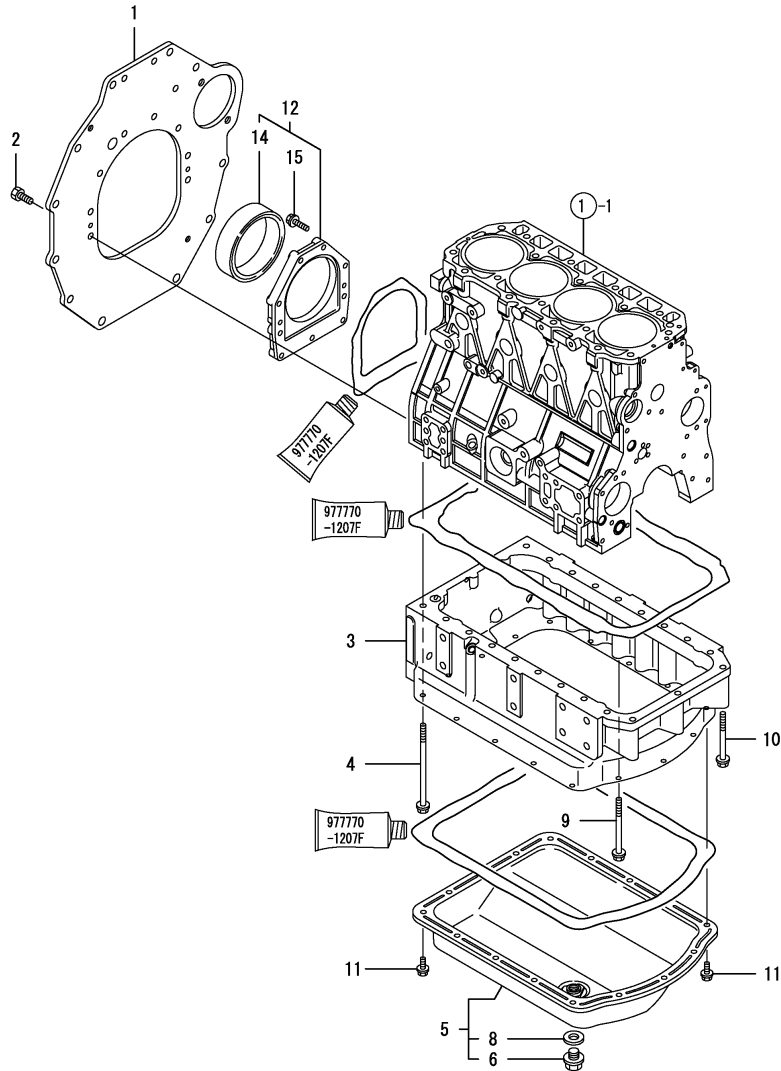
(E)=

(F)=

REF.	LEV.	PARTS NO.	DESCRIPTION	QTY						I	R
				(A)	(B)	(C)	(D)	(E)	(F)		
1	1	129100-01580	PIN, PARALLEL	4							
3	1	129940-01500	HOUSING,GEARS	1							
4	1	129956-32001	PUMP ASSY, LUB.OIL	1							
16	1	26216-100302	STUD BOLT	4							
17	1	129900-32030	O-RING P20	1							
18	1	129900-32040	O-RING P14	1							
19	1	24351-030750	PACKING, 3075	1							
20	1	26106-080162	BOLT M 8X 16 PLATED	1							
21	1	26106-080202	BOLT M 8X 20 PLATED	3							
22	1	26106-080452	BOLT M 8X 45 PLATED	3							
23	1	26306-100002	NUT	4							
24	1	124160-01751	COVER,FILLER	1							
25	1	24311-000320	O-RING 1A P-32.0	1							
26	1	129900-01740	COVER, PUMP TIMING	1							
27	1	129001-91810	BOLT M8X70, AUTO	1							
28	1	26106-080162	BOLT, 8 X 16	1							
29	1	26106-080402	BOLT, 8 X 40	5							
30	1	729906-01550	HOUSING ASSY,COVER,G	1							
32	2	129916-01800	SEAL, GEAR CASE	1							
33	1	129001-91810	BOLT M8X70, AUTO	6							
34	1	26106-080402	BOLT, 8 X 40	5							
35	1	129900-14140	BEARING, 6205	1							
36	1	129900-26250	BEARING, 6206C3	2							

Remarks
 (REMARKS)"EFFECTIVE MACHINE NO." OF
 ENGINE IS INDICATED ON THE
 ENGINE LABEL WHICH IS SHOWN
 IN FIG.4.

Fig.3. MOUNTING FLANGE & OIL SUMP



0CNP4-G99100 3. MOUNTING FLANGE & OIL SUMP

(A)=4TNV98-RNQH

(B)=

(C)=

(D)=

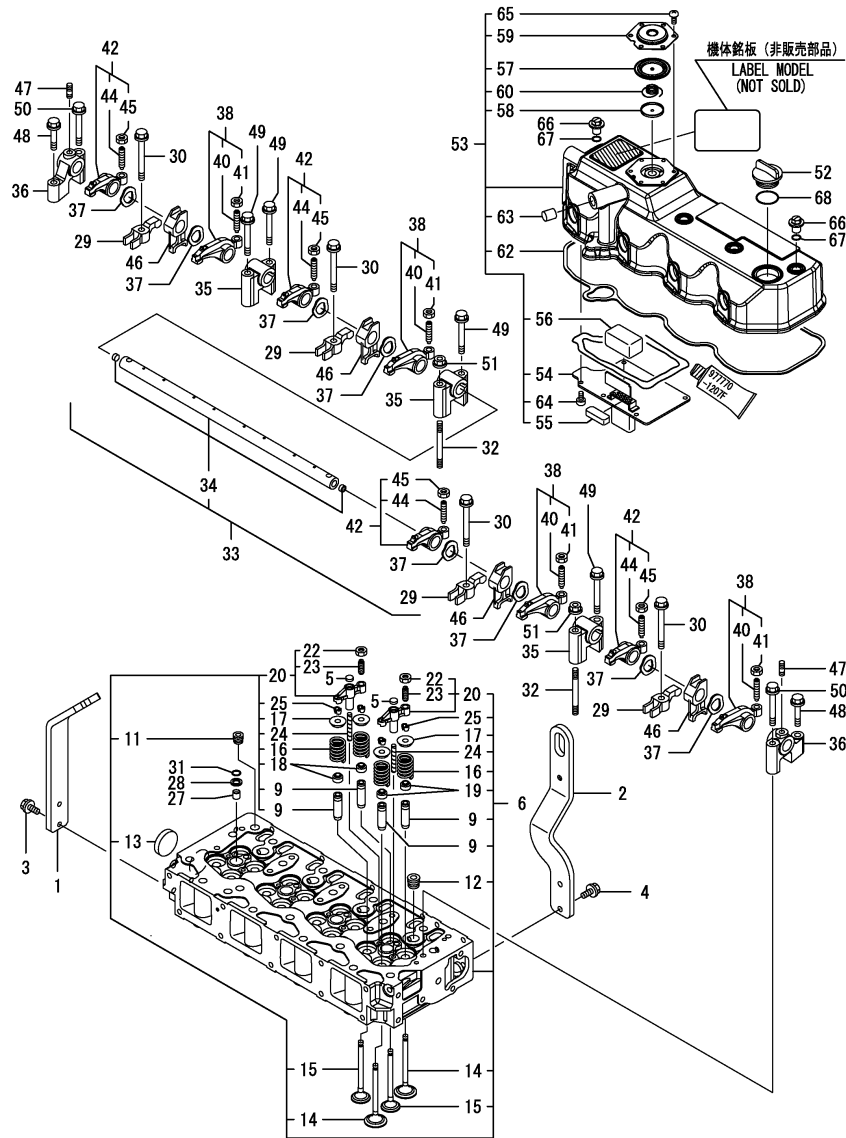
(E)=

(F)=

REF.	LEV.	PARTS NO.	DESCRIPTION	Q'TY						I	R
				(A)	(B)	(C)	(D)	(E)	(F)		
1	1	129972-01600	FLANGE, MOUNTING	1							
2	1	26116-100202	BOLT, 10 X 20	9							
3	1	129972-01700	OIL PAN	1							
4	1	129972-01731	BOLT(M8X150)	1							
5	1	129956-01740	COVER CMP,OILPAN	1							
6	2	105425-01690	PLUG M16	1							
8	2	22190-160002	SEAL WASHER 16S	1							
9	1	129693-44310	BOLT(CFW COOLER)	16							
10	1	129001-91841	BOLT M 8X 85 PLATED	3							
11	1	26106-080122	BOLT M 8X 12 PLATED	16							
12	1	129956-01640	CASE ASSY, OIL SEAL	1							
14	2	124411-01780	SEAL HTC95,115,12	1							
15	1	26106-080302	BOLT M 8X 30 PLATED	9							

Remarks
 (REMARKS)"EFFECTIVE MACHINE NO." OF
 ENGINE IS INDICATED ON THE
 ENGINE LABEL WHICH IS SHOWN
 IN FIG.4.

Fig.4. CYLINDER HEAD & BONNET



Remarks
 (1) REPAIR PART.
 (REMARKS)"EFFECTIVE MACHINE NO." OF
 ENGINE IS INDICATED ON THE
 ENGINE LABEL WHICH IS SHOWN
 IN FIG.4.

OCNP4-G99100 4. CYLINDER HEAD & BONNET

(A)=4TNV98-RNQH

(B)=

(C)=

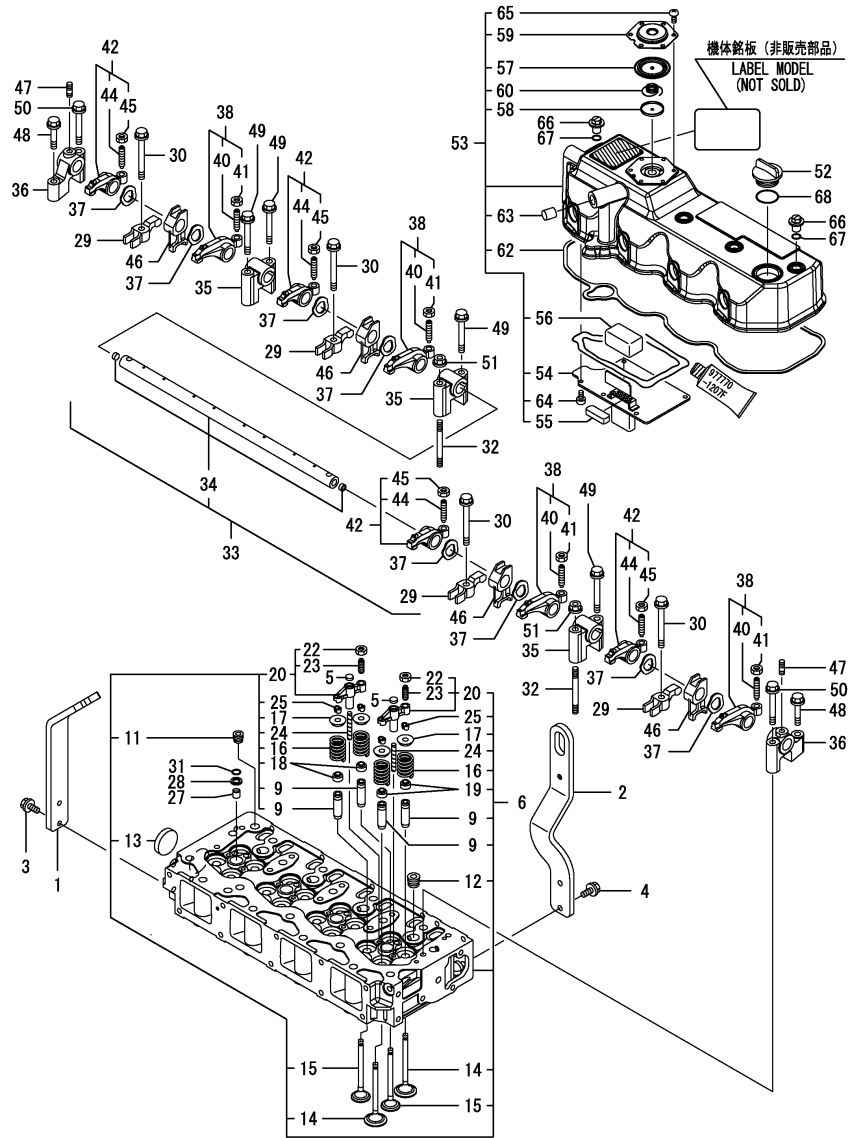
(D)=

(E)=

(F)=

REF.	LEV.	PARTS NO.	DESCRIPTION	QTY						I	R
				(A)	(B)	(C)	(D)	(E)	(F)		
1	1	129956-07911	LIFTER, ENGINE	1							
2	1	129972-07920	LIFTER, ENGINE	1							
3	1	26106-080202	BOLT M 8X 20 PLATED								
4	1	26106-080202	BOLT M 8X 20 PLATED	2							
5	1	123907-11550	SEAT A, VALVE BRIDGE	8							
6	1	129907-11700	HEAD ASSY, CYLINDER	1							
9	2	129907-11800	GUIDE, VALVE	16							1
11	2	23876-020000	PLUG PT1/4, SCREW	1							
12	2	23876-030000	PLUG PT3/8, SCREW	4							
13	2	27241-400000	PLUG 40	1							
14	2	129907-11100	VALVE(INT	8							
15	2	129907-11110	VALVE(EXH	8							
16	2	129907-11120	VALVE SPRING	16							
17	2	119620-11180	RETAINER, SPRING	16							
18	2	119803-11340	SEAL, VALVE STEM(EXH	8							
19	2	124160-11340	SEAL, VALVE STEM(INT	8							
20	2	129907-11510	BRIDGE ASSY, VALVE	8							
22	3	129150-11750	NUT M8XP1.0	8							
23	3	123907-11830	SCRWE, VALVE BRIDGE	8							
24	2	123907-11820	GUIDE, VALVE BRIDGE	8							
25	2	27310-070001	COTTER ASSY	16							
27	1	119802-11870	PROTECTOR, NOZZLE	4							
28	1	119625-11880	SEAT, NOZZLE	4							
29	1	129907-11910	RETAINER, F.I. VALVE	4							
30	1	129907-11950	FLANGE BOLT, RETAINER	4							
31	1	24311-000120	O-RING 1A P 12.0	4							
32	1	119593-11301	BOLT 8X80	2							
33	1	129907-11341	SUPPORT CMP	1							
34	2	129907-11250	SHAFT, ROCKER ARM	1							
35	2	129907-11260	SUPPORT A	3							
36	2	129907-11270	SUPPORT B	2							
37	2	123907-11280	WAVE WASHER	8							
38	2	129907-11650	ARM ASSY, ROCKER	4							
40	3	129150-11230	SCREW, VALVE	4							
41	3	129150-11750	NUT M8XP1.0	4							
42	2	129907-11660	ARM ASSY, ROCKER	4							
44	3	129150-11230	SCREW, VALVE	4							
45	3	129150-11750	NUT M8XP1.0	4							
46	2	129907-11920	PEDESTAL, RETAINER	4							
47	2	26226-080222	STUD M 8X 22 PLATED	2							
48	1	26106-080402	BOLT M 8X 40 PLATED	2							
49	1	26106-080602	BOLT M 8X 60 PLATED	4							
50	1	26106-080602	BOLT M 8X 60 PLATED	2							
51	1	26306-080002	NUT	2							
52	1	124160-01751	COVER, FILLER	1							
53	1	129907-11321	BONNET ASSY	1							
54	2	129907-03011	BAFFLE PLATE	1							
55	2	129907-03061	BAFFLE	1							
56	2	129907-03070	BAFFLE	1							
57	2	123907-03100	DIAPHRAGM, BREATHER	1							
58	2	123907-03110	CENTER PLATE	1							

Fig.4. CYLINDER HEAD & BONNET



(A)=4TNV98-RNQH

(B)=

(C)=

(D)=

(E)=

(F)=

REF.	LEV.	PARTS NO.	DESCRIPTION	QTY						I	R
				(A)	(B)	(C)	(D)	(E)	(F)		
59	2	123907-03120	PLATE,BREATHER	1							
60	2	123907-03140	SPRING, DIAPHRAGM	1							
62	2	129933-11310	GASKET, BONNET	1							
63	2	119640-61400	PLUG	1							
64	2	22857-500100	SCREW 5X10,TAPPING	6							
65	2	22857-500100	SCREW 5X10,TAPPING	6							
66	1	124160-11360	KNOB	4							
67	1	24311-000120	O-RING 1A P 12.0	4							
68	1	24311-000320	O-RING 1A P-32.0	1							

Remarks
 (1) REPAIR PART.
 (REMARKS)"EFFECTIVE MACHINE NO." OF
 ENGINE IS INDICATED ON THE
 ENGINE LABEL WHICH IS SHOWN
 IN FIG.4.

Fig.5. SUCTION MANIFOLD

(A)=4TNV98-RNQH

(B)=

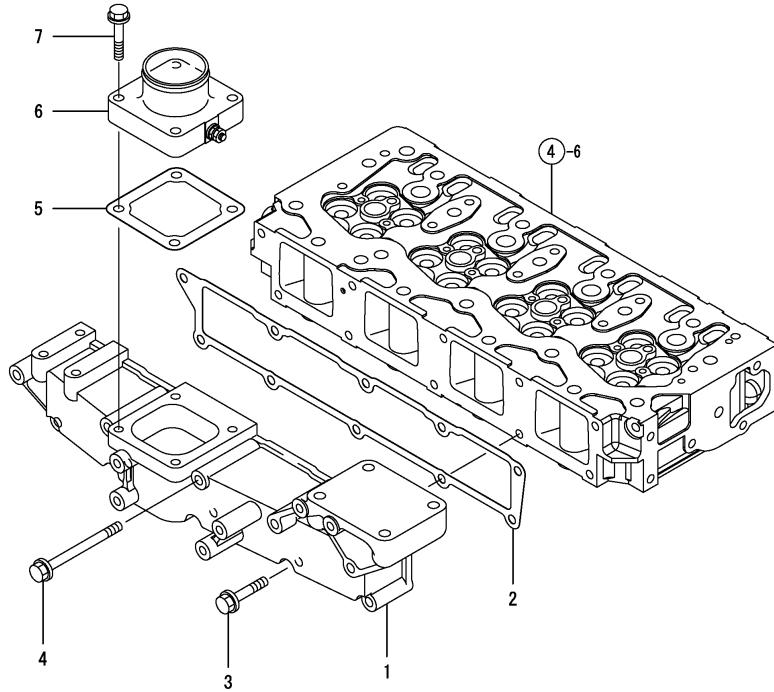
(C)=

(D)=

(E)=

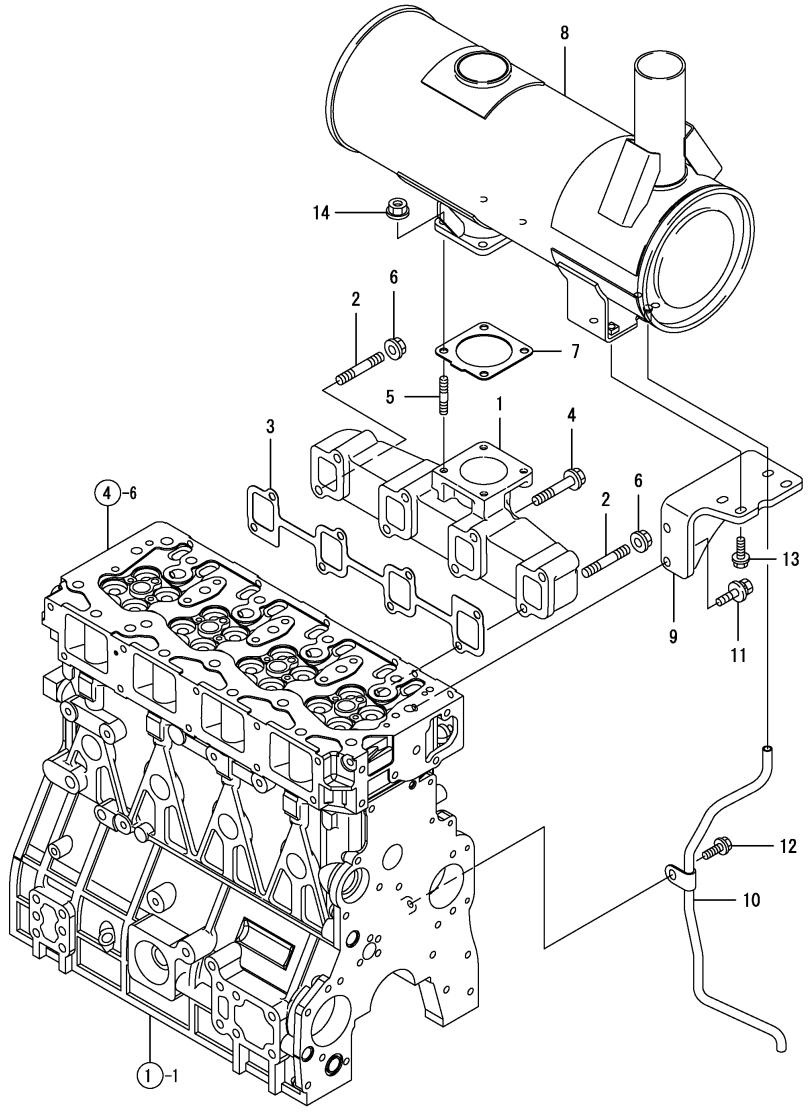
(F)=

REF.	LEV.	PARTS NO.	DESCRIPTION	Q'TY						I	R
				(A)	(B)	(C)	(D)	(E)	(F)		
1	1	129906-12100	MANIFOLD(SUC	1							
2	1	129907-12110	PACKING(INT.MANIFOLD	1							
3	1	26106-080552	BOLT M 8X 55 PLATED	5							
4	1	26106-080852	BOLT M 8X 85 PLATED	5							
5	1	121850-77021	GASKET, (NON-ASB.)	1							
6	1	129915-77051	HEATER, AIR	1							
7	1	26106-080352	BOLT M 8X 35 PLATED	4							



Remarks
 (REMARKS)"EFFECTIVE MACHINE NO." OF
 ENGINE IS INDICATED ON THE
 ENGINE LABEL WHICH IS SHOWN
 IN FIG.4.

Fig.6. EXHAUST MANIFOLD & SILENCER



0CNP4-G99100 6. EXHAUST MANIFOLD & SILENCER

(A)=4TNV98-RNQH

(B)=

(C)=

(D)=

(E)=

(F)=

REF.	LEV.	PARTS NO.	DESCRIPTION	QTY						I	R
				(A)	(B)	(C)	(D)	(E)	(F)		
1	1	129900-13200	MANIFOLD, EXHAUST	1							
2	1	129263-13210	STUD	2							
3	1	129900-13251	GASKET	1							
4	1	123900-13630	BOLT 8X80	6							
5	1	119131-18320	BOLT M 8X 22	4							
6	1	26306-080002	NUT	2							
7	1	129930-13201	GASKET, SILENCER	1							
8	1	129963-13500	SILENCER	1							
9	1	129972-13651	STAY, SILENCER	1							
10	1	129972-13951	PIPE, SILENCER DRAIN	1							
11	1	26014-080222	BOLT M 8X 22	2							
12	1	26106-080102	BOLT M 8X 10 PLATED	1							
13	1	26106-080252	BOLT M 8X 25 PLATED	4							
14	1	26306-080002	NUT	4							

Remarks
 (REMARKS)"EFFECTIVE MACHINE NO." OF
 ENGINE IS INDICATED ON THE
 ENGINE LABEL WHICH IS SHOWN
 IN FIG.4.

Fig.7. CAMSHAFT & DRIVING GEAR

(A)=4TNV98-RNQH

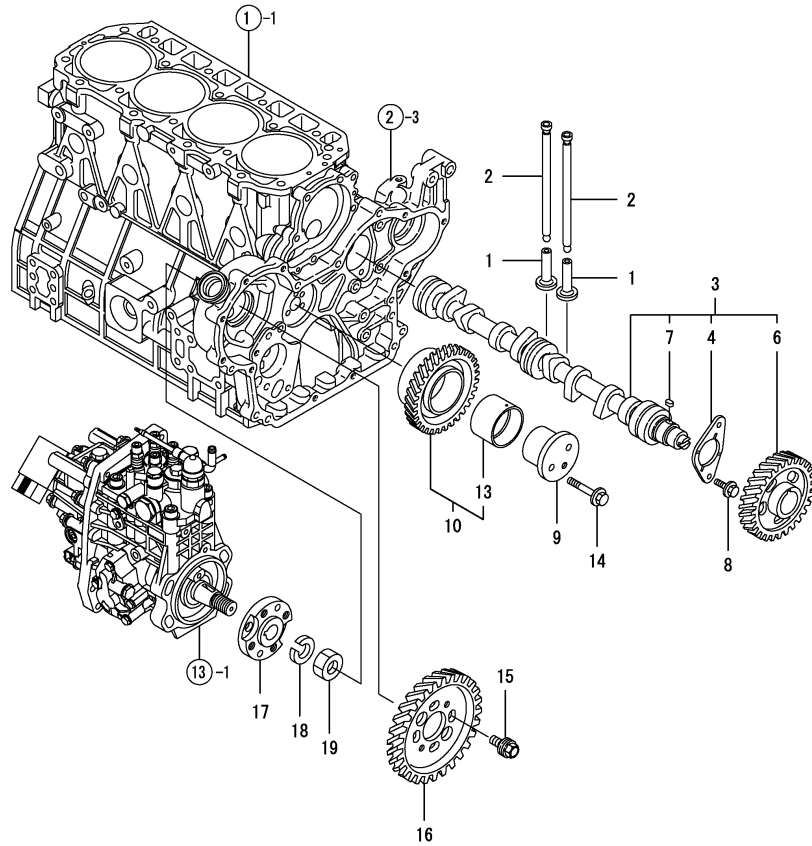
(B)=

(C)=

(D)=

(E)=

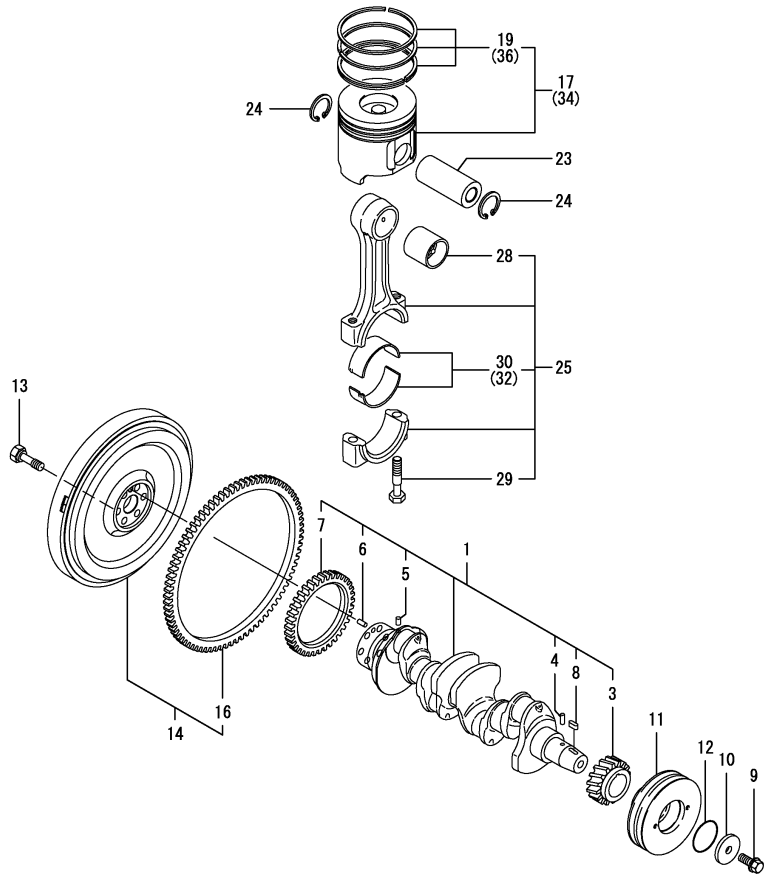
(F)=



REF.	LEV.	PARTS NO.	DESCRIPTION	QTY						I	R
				(A)	(B)	(C)	(D)	(E)	(F)		
1	1	129150-14200	TAPPET	8							
2	1	129907-14400	PUSH ROD	8							
3	1	129907-14581	CAMSHFT ASSY	1							
4	2	129150-02450	METAL,THRUST(CAM	1							
6	2	129900-14100	GEAR, CAMSHAFT	1							
7	2	22512-070140	KEY 7X 14	1							
8	1	26106-080162	BOLT M 8X 16 PLATED	2							
9	1	123900-25060	SHAFT(GEAR, IDLE	1							
10	1	129900-25100	GEAR ASSY, IDLE	1							
13	2	129150-25920	BUSH, IDLE GEAR	1							1
14	1	26106-080552	BOLT M 8X 55 PLATED	3							
15	1	129953-25300	BOLT	4							
16	1	129907-25900	GEAR, F.I.PUMP	1							
17	1	158563-51150	FLANGE	1							
18	1	22217-180000	SPRING WASHER 18	1							
19	1	26776-180002	NUT M18, LOCK	1							

Remarks
 (1) REPAIR PART.
 (REMARKS)"EFFECTIVE MACHINE NO." OF
 ENGINE IS INDICATED ON THE
 ENGINE LABEL WHICH IS SHOWN
 IN FIG.4.

Fig.8. CRANKSHAFT & PISTON



0CNP4-G99100 8. CRANKSHAFT & PISTON

(A)=4TNV98-RNQH

(B)=

(C)=

(D)=

(E)=

(F)=

REF.	LEV.	PARTS NO.	DESCRIPTION	Q'TY						I	R
				(A)	(B)	(C)	(D)	(E)	(F)		
1	1	129956-21000	CRANKSHAFT ASSY	1							
3	2	129900-21200	GEAR, CRANKSHAFT	1							
4	2	121850-21290	PARALLEL PIN	1							
5	2	121850-21290	PARALLEL PIN	1							
6	2	121850-21920	PARALLEL PIN 10X22	1							
7	2	129956-28321	DRIVE GEAR,BALANCER	1							
8	2	22512-070140	KEY 7X 14	1							
9	1	129916-21610	BOLT, V-PULLEY	1							
10	1	129960-21640	WASHER	1							
11	1	129972-21660	V-PULLEY,CRANKSHAFT	1							
12	1	24341-000530	PACKING, S 53.0	1							
13	1	121850-21130	BOLT, FLYWHEEL	6							
14	1	129972-21580	FLYWHEEL ASSY	1							
16	2	129900-21600	GEAR, RING	1							
17	1	129963-22080	PISTON W/RING	4							
19	2	129907-22050	RING SET, PISTON	4							
23	1	120130-22301	PIN, PISTON	4							
24	1	22252-000300	CIRCLIP 30	8							
25	1	129900-23001	ROD ASSY, CONNECTING	4							
28	2	129900-23911	BUSH, PISTON PIN	4							1
29	2	129900-23200	BOLT, ROD	8							
30	2	129900-23601	METAL ASSY, CRANKPIN	4							
32	1	129900-23611	BEARING,PIN U.S=0.25	4							2
34	1	729963-22900	PISTON ASSY O.S=0.25	4							3
36	2	729907-22950	RING SET O.S=0.25	4							3

Remarks

(1) REPAIR PART.

(2) UNDER-SIZE(U.S=0.25)PART.

(3) OVER-SIZE(O.S=0.25)PART.

(REMARKS)"EFFECTIVE MACHINE NO." OF ENGINE IS INDICATED ON THE ENGINE LABEL WHICH IS SHOWN IN FIG.4.

Fig.9. HYDRAULIC PUMP

0CNP4-G99100 9. HYDRAULIC PUMP

(A)=4TNV98-RNQH

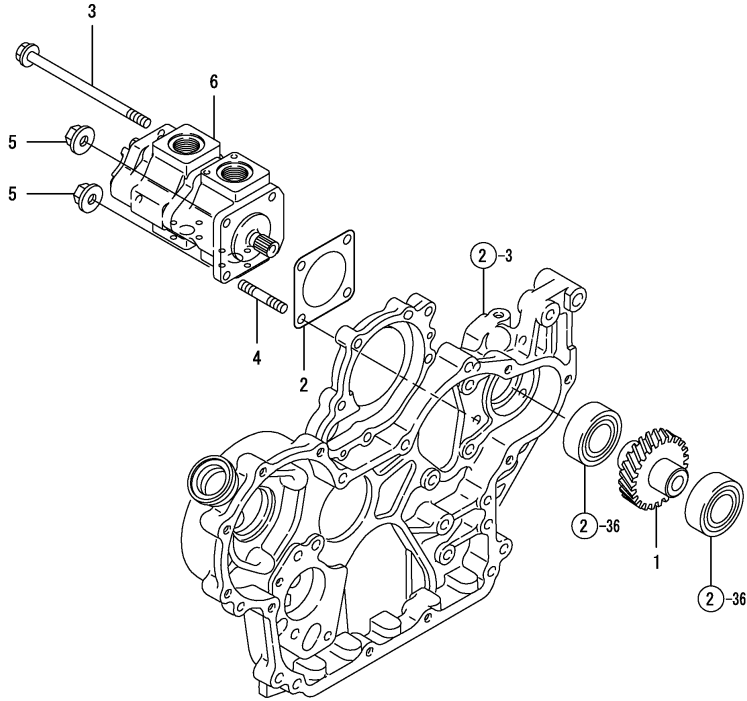
(B)=

(C)=

(D)=

(E)=

(F)=



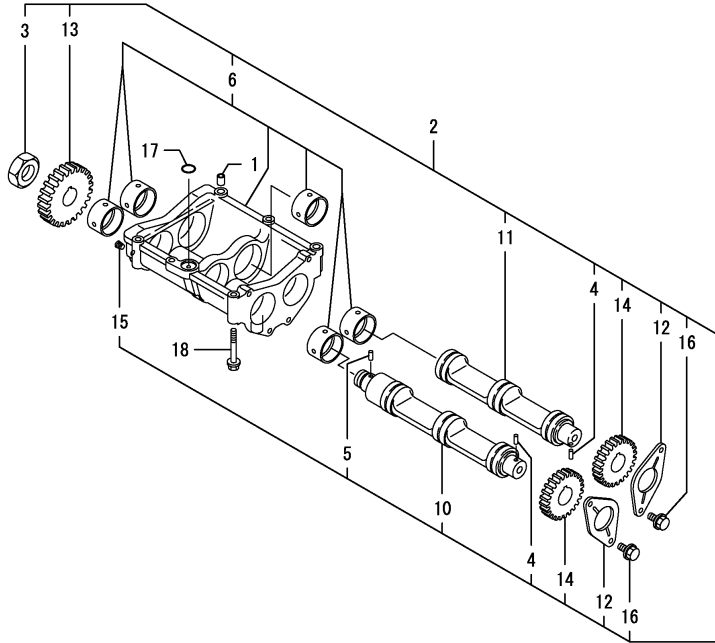
REF.	LEV.	PARTS NO.	DESCRIPTION	Q'TY						I	R
				(A)	(B)	(C)	(D)	(E)	(F)		
1	1	129956-26010	GEAR ASSY, HO-P	1							
2	1	124240-01883	GASKET, (NON-ASB.)	1							
3	1	129956-26220	BOLT	2							
4	1	26216-080202	STUD M 8X 20 PLATED	2							
4-1	1	121450-01560	STUD, M8X22	2							N
			(A=*2009.06.)								
5	1	26306-080002	NUT	2							
6	1	1A7450-41110	PUMP ASSY, HYDRAULIC	1							

Remarks
 (REMARKS)"EFFECTIVE MACHINE NO." OF
 ENGINE IS INDICATED ON THE
 ENGINE LABEL WHICH IS SHOWN
 IN FIG.4.

Fig.10. BALANCER

(A)=4TNV98-RNQH
(B)=
(C)=

(D)=
(E)=
(F)=



REF.	LEV.	PARTS NO.	DESCRIPTION	Q'TY						I	R
				(A)	(B)	(C)	(D)	(E)	(F)		
1	1	129795-01960	PIPE, KNOCK	2							
2	1	129956-28009	BALANCER ASSY	1							
3	2	128610-14120	NUT	1							
4	2	121850-21290	PARALLEL PIN	2							
5	2	121850-21290	PARALLEL PIN	1							
6	2	129956-28019	CASE ASSY, BALANCER	1							
10	2	129956-28101	SHAFT(A), BALANCER	1							
11	2	129956-28111	SHAFT(B), BALANCER	1							
12	2	129956-28180	BEARING, THRUST	2							
13	2	129956-28332	DRIVEN GEAR,BALANCER	1							
14	2	129956-28341	GEAR, BALANCER	2							
15	2	23876-005000	PLUG PT 1/16,SCREW	1							
16	2	26106-080162	BOLT M 8X 16 PLATED	4							
17	1	24311-000200	O-RING 1A P-20.0	1							
18	1	26106-080602	BOLT M 8X 60 PLATED	6							

Remarks
(REMARKS)"EFFECTIVE MACHINE NO." OF
ENGINE IS INDICATED ON THE
ENGINE LABEL WHICH IS SHOWN
IN FIG.4.

Fig.11. LUB.OIL SYSTEM

(A)=4TNV98-RNQH

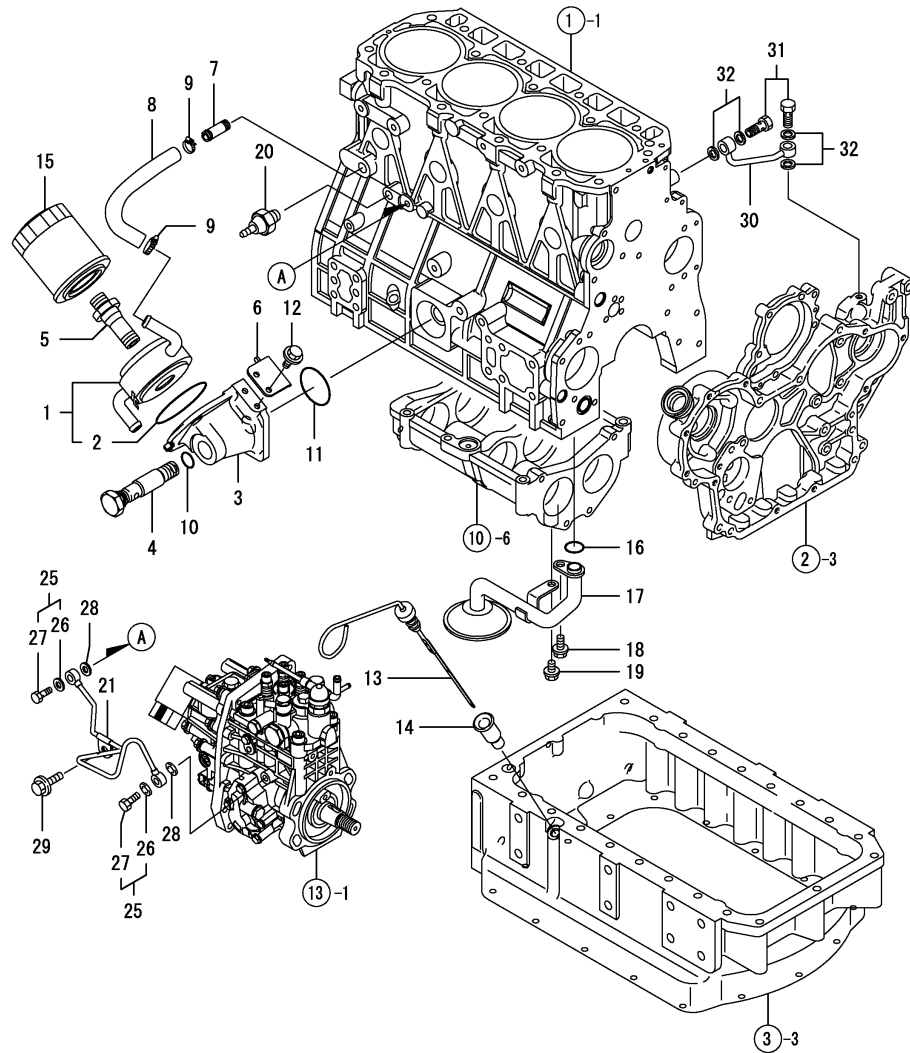
(B)=

(C)=

(D)=

(E)=

(F)=



REF.	LEV.	PARTS NO.	DESCRIPTION	QTY						I	R
				(A)	(B)	(C)	(D)	(E)	(F)		
1	1	129956-33011	COOLER ASSY, OIL	1							
2	2	129957-33050	O-RING	1							
3	1	129956-33101	BRACKET, COOLER	1							
4	1	129956-33110	BOLT, L.O.COOLER	1							
5	1	129956-33120	BOLT, L.O.COOLER	1							
6	1	129972-33140	RESTRICTION	1							
7	1	129122-44480	JOINT	1							
8	1	129956-49172	PIPE, COOLING WATER	1							
9	1	23000-022000	CLAMP, HOSE 22	2							
10	1	24314-000200	PACKING, P 20.0	1							
11	1	24321-000600	PACKING, G 60.0	1							
12	1	26106-060142	BOLT, 6 X 14	2							
13	1	129972-34800	DIPSTICK, LUB.OIL	1							
14	1	119860-34810	GUIDE, DIPSTICK	1							
15	1	119005-35151	FILTER, LUB.OIL	1							1
16	1	129900-32030	O-RING P20	1							
17	1	129956-35000	PIPE ASSY, LUB. OIL	1							
18	1	26106-080142	BOLT 8X 14 PLATED	1							
19	1	26106-080202	BOLT M 8X 20 PLATED	1							
20	1	114250-39450	SWITCH,(0.5KG)L.O.	1							
21	1	129963-39060	PIPE ASSY, LUB. OIL	1							
25	1	129005-59830	BOLT ASSY, JOINT	2							
26	2	22190-080002	SEAL WASHER 8S	2							
27	2	23857-030000	JOINT BOLT 3	2							
28	1	22190-080002	SEAL WASHER 8S	2							
29	1	26106-080122	BOLT M 8X 12 PLATED	1							
30	1	129930-39050	PIPE	1							
31	1	105010-39140	BOLT, PIPE JOINT	2							
32	1	22190-080002	SEAL WASHER 8S	4							

Remarks
(1) REPAIR PART.

N:Old $\begin{matrix} \leftarrow \text{Yes} \\ \text{No} \end{matrix}$ New, Q:Old $\begin{matrix} \leftarrow \text{No} \\ \text{Yes} \end{matrix}$ New, R:Old $\begin{matrix} \leftarrow \text{Yes} \\ \text{Yes} \end{matrix}$ New, S:Old $\begin{matrix} \leftarrow \text{No} \\ \text{No} \end{matrix}$ New, W:Add, Z:Discontinued, F:Interchangeable by set, K:Q'ty Change

Fig.12. COOLING WATER SYSTEM

(A)=4TNV98-RNQH

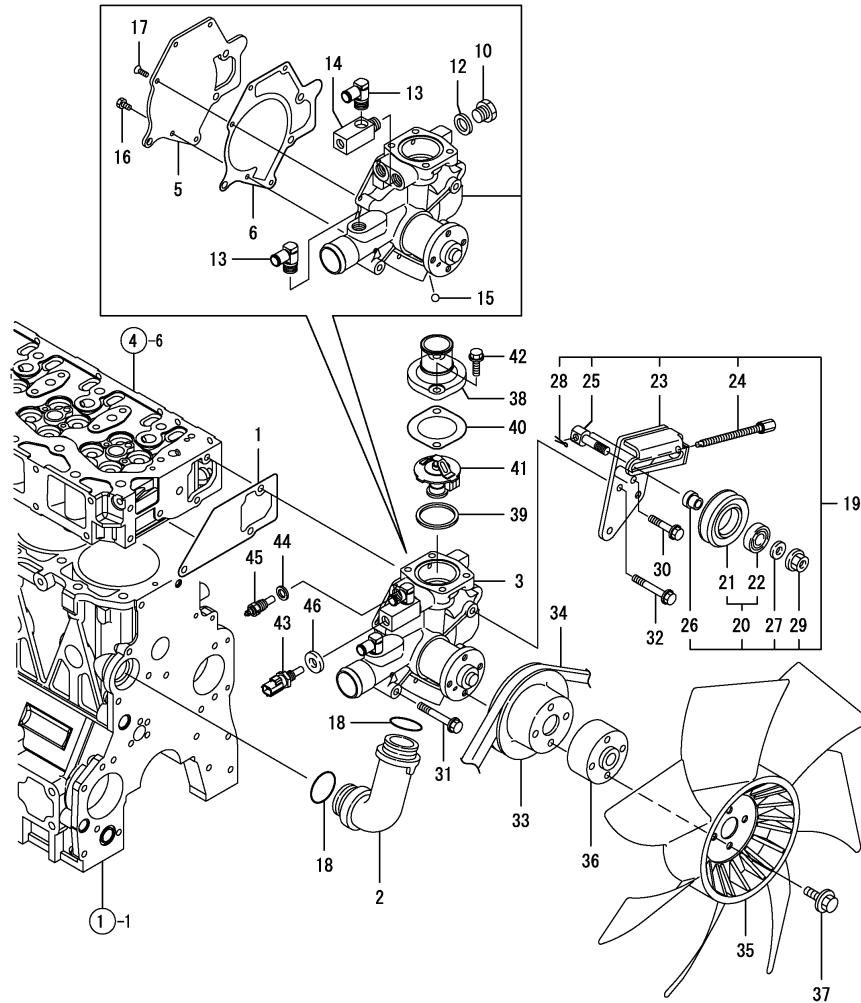
(B)=

(C)=

(D)=

(E)=

(F)=



REF.	LEV.	PARTS NO.	DESCRIPTION	QTY						I	R
				(A)	(B)	(C)	(D)	(E)	(F)		
1	1	129900-42061	GASKET, WATER PUMP	1							
2	1	129900-42070	PIPE, COOLING WATER	1							
3	1	129972-42100	PUMP ASSY, WATER	1							
5	2	129900-42161	COVER	1							
6	2	129900-42170	GASKET	1							
10	2	121450-42450	PLUG, M16	1							
12	2	124465-44950	GASKET, 16	1							
13	2	119852-49300	ELBOW, R3/8	2							
14	2	129972-49350	JOINT, WATER SENSOR	1							
15	2	24190-080001	BALL, 1/4	1							
16	2	26116-060162	BOLT, 6 X 16	2							
17	2	26577-060142	SCREW, 6 X 14	3							
18	1	129900-42140	O-RING, CW-T(CW-P	2							
19	1	129972-96951	TENSION DEVICE	1							
20	2	129457-96200	PULLEY ASSY, TENSION	1							
21	3	129457-96230	PULLEY, TENSION	1							
22	3	24104-062024	BEARING, 6202UU	1							
23	2	129972-96961	BLACKET, TENSION	1							
24	2	129972-96971	BOLT, ADJUSTING	1							
25	2	129972-96980	BOLT, TENSION PULLY	1							
26	2	129054-96990	SPACER, PULLEY	1							
27	2	22137-100000	WASHER, 10	1							
28	2	22411-160120	PIN, 1.6 X 12	1							
29	2	26306-100002	NUT, 10	1							
30	1	26106-080402	BOLT, 8 X 40	1							
31	1	26106-080552	BOLT, 8 X 55	1							
32	1	26106-080602	BOLT, 8 X 60	2							
33	1	129900-42461	PULLEY	1							
34	1	129972-42280	V-BELT, A47.0	1							
35	1	129907-44740	FAN, COOLING 430X7	1							
36	1	119005-44761	SPACER	1							
37	1	26106-080452	BOLT M 8X 45 PLATED	4							
38	1	129981-49531	COVER, THERMOSTAT	1							
39	1	121850-49550	GASKET, THERMOSTAT	1							
40	1	129900-49560	GASKET, THERMO COVER	1							
41	1	121850-49800	THERMOSTAT	1							
42	1	26106-080252	BOLT, 8 X 25	2							
43	1	119254-44910	THERMOMETER	1							
44	1	129150-49360	GASKET, 10	1							
45	1	129242-49450	SENSOR, C.W.	1							
46	1	22190-120002	WASHER, SEAL 12	1							

Remarks
 (REMARKS)"EFFECTIVE MACHINE NO." OF
 ENGINE IS INDICATED ON THE
 ENGINE LABEL WHICH IS SHOWN
 IN FIG. 4.

Fig.13. FUEL INJECTION PUMP

(A)=4TNV98-RNQH

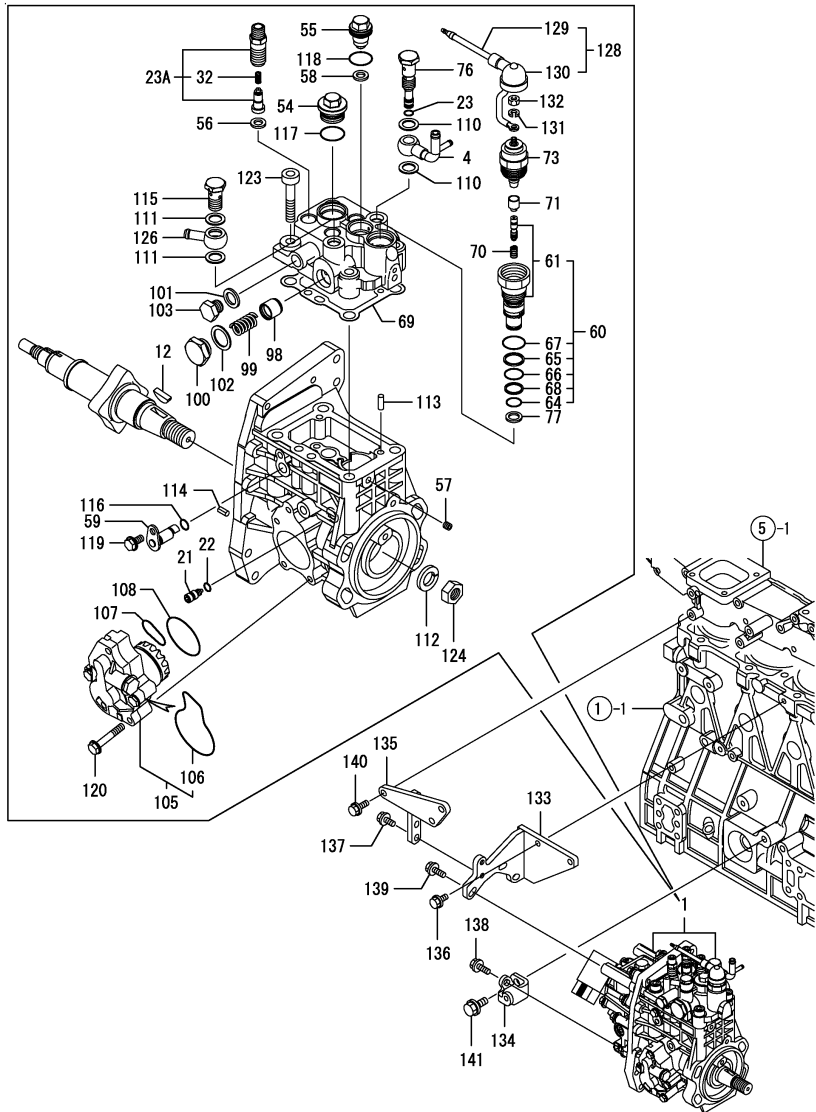
(B)=

(C)=

(D)=

(E)=

(F)=



REF.	LEV.	PARTS NO.	DESCRIPTION	Q'TY						I	R
				(A)	(B)	(C)	(D)	(E)	(F)		
1	1	729963-51320	INJECTON PUMP ASSY	1							1
4	2	158552-51670	JOINT	1							
12	2	144626-51090	KEY 5X19	1							
21	2	158600-51270	STOPPER	1							
22	2	158563-51281	O-RING	1							
23	2	158563-51281	O-RING	1							
23A	2	129509-51390	SETTING, DELIVERY	4							W
		(A=*2008.04.)									
32	3	158563-51330	SPRING	4							
54	2	158601-51550	PLUG	1							
55	2	129907-51560	PLUG	1							
56	2	158552-51570	PK(BARREL PLUG	4							
57	2	158557-51570	PLUG	1							
58	2	129906-51580	PACKING, PLUG	1							
59	2	158552-51580	LIFTER	1							
60	2	129657-51590	TIMER SET	1							
61	3	129657-51600	TIMER CMP	1							
64	3	158553-51670	O-RING, 1011	1							
65	3	119802-51680	BACKUP RING	1							
66	3	119802-51690	O RING	1							
67	3	24356-010200	PACKING, 1020	1							
68	3	24372-000150	RING, BACKUP T2 P 15	1							
69	2	158560-51600	PACKING, HEAD	1							
70	2	119852-51630	SPRING,TIMER	1							
71	2	119852-51640	CAP,TIMER	1							
73	2	119852-51650	VALVE,SOLENOIDE	1							
76	2	158601-51650	JOINT	1							
77	2	158553-51680	PACKING,TIMER	1							
98	2	158601-51770	PISTON	1							
99	2	158552-51781	DAMPER ASSY	1							
100	2	158601-51790	PLUG	1							
101	2	22190-120002	SEAL WASHER 12	1							
102	2	22190-180002	SEAL WASHER 18	1							
103	2	23887-120002	PLUG M12,HEX.	1							
105	2	158552-52100	PUMP ASSY,FEED	1							
106	3	158552-52500	O-RING(FEED P INNER	1							
107	2	158552-52310	O-RING	1							
108	2	158552-52400	O-RING 4E S42	1							
110	2	22190-120002	SEAL WASHER 12	2							
111	2	22190-120002	SEAL WASHER 12	2							
112	2	22217-180000	SPRING WASHER 18	1							
113	2	22312-050140	PARALLEL PIN 5X14	2							
114	2	22351-050010	SPRING PIN 5X10	2							
115	2	23857-060000	JOINT BOLT 6,PIPE	1							
116	2	24311-000070	O-RING 1A P-7.0	1							
117	2	24356-010200	PACKING, 1020	1							
118	2	24356-020210	O RING	1							
119	2	26106-060102	BOLT 6X 10 PLATED	1							
120	2	26106-060352	BOLT M 6X 35 PLATED	4							
123	2	26450-100452	BOLT M10X 45	4							
124	2	26776-180002	NUT M18,LOCK	1							

Remarks
 (1) GOVERNOR ASSY(FIG.14) IS INCORPORATED IN THIS FOP.CMP (REF.NO.1).
 (REMARKS)"EFFECTIVE MACHINE NO." OF ENGINE IS INDICATED ON THE ENGINE LABEL WHICH IS SHOW IN FIG.4.

Fig.13. FUEL INJECTION PUMP

(A)=4TNV98-RNQH

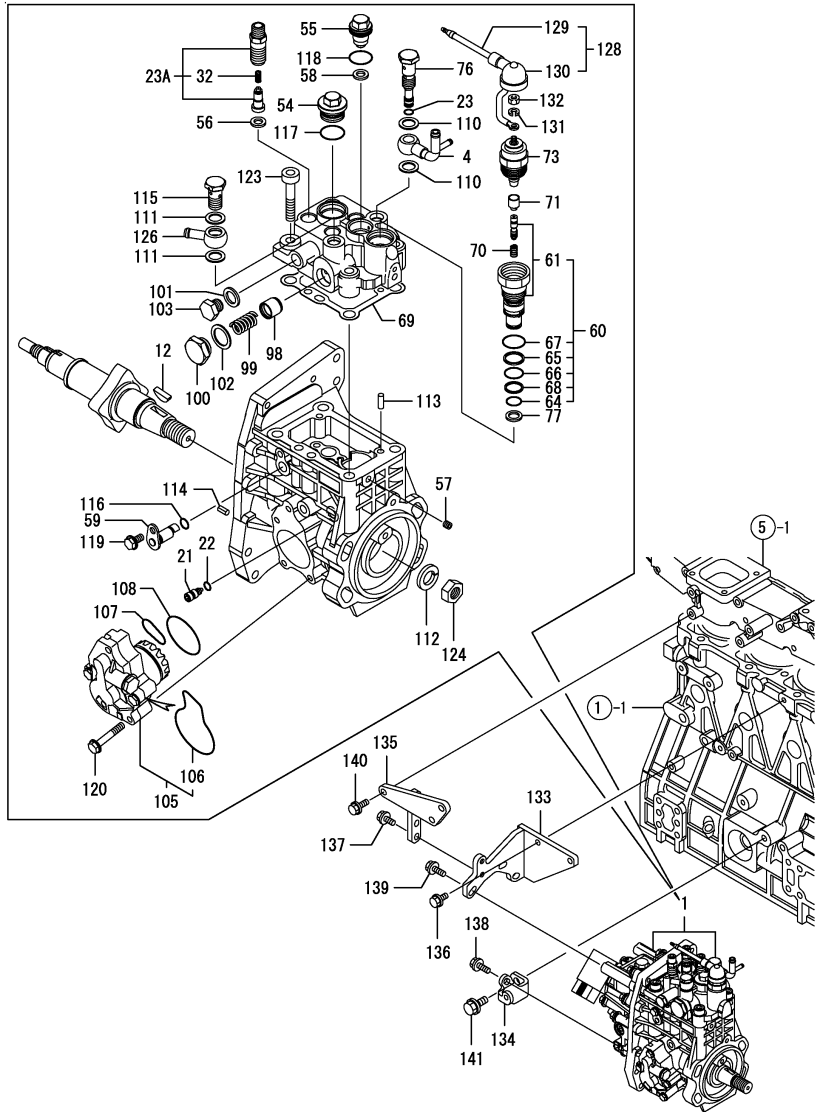
(B)=

(C)=

(D)=

(E)=

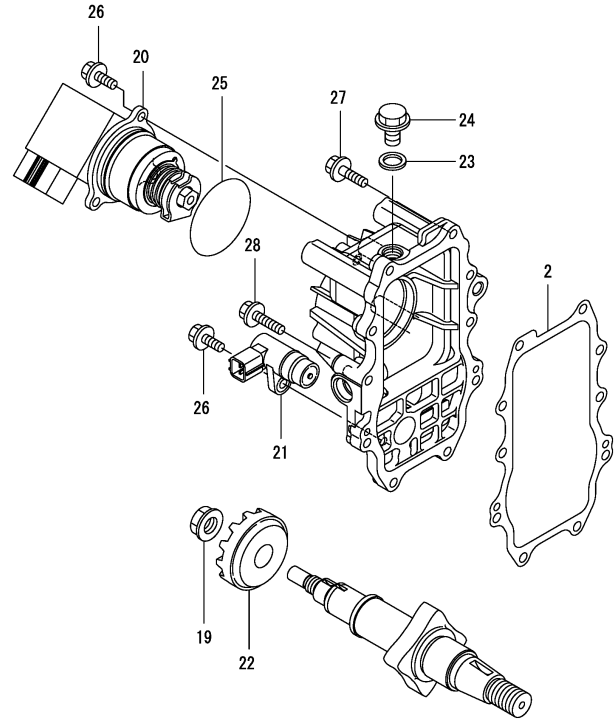
(F)=



REF.	LEV.	PARTS NO.	DESCRIPTION	QTY						I	R
				(A)	(B)	(C)	(D)	(E)	(F)		
126	2	129916-59020	JOINT 12, PIPE	1							
128	2	129263-77951	WIRE HARNESS ASSY	1							
129	3	129263-77930	HARNESS,(CSD	1							
130	3	129263-77941	CAP,RUBBER	1							
131	2	22217-050000	SPRING WASHER 5	1							
132	2	26716-050002	NUT M 5	1							
133	1	129974-01950	RETAINER,MP4	1							
134	1	129906-01960	RETAINER,MP4	1							
135	1	129974-01970	SUPPORT,MP4	1							
136	1	26106-080202	BOLT, 8 X 20	2							
137	1	26106-080202	BOLT, 8 X 20	2							
138	1	26106-080222	BOLT, 8 X 22	1							
139	1	26106-080252	BOLT, 8 X 25	3							
140	1	26106-080252	BOLT, 8 X 25	3							
141	1	26106-100202	BOLT, 10 X 20	1							

Remarks
 (1) GOVERNOR ASSY(FIG.14) IS
 INCORPORATED IN THIS FOP.CMP
 (REF.NO.1).
 (REMARKS)"EFFECTIVE MACHINE NO." OF
 ENGINE IS INDICATED ON THE
 ENGINE LABEL WHICH IS SHOW
 IN FIG.4.

Fig.14. GOVERNOR



OCNP4-G99100 14. GOVERNOR

(A)=4TNV98-RNQH
(B)=
(C)=

(D)=
(E)=
(F)=

REF.	LEV.	PARTS NO.	DESCRIPTION	QTY						I	R
				(A)	(B)	(C)	(D)	(E)	(F)		
2	2	158560-61050	PACKING, CASE	1							
19	2	129008-61301	NUT	1							
20	2	158557-61600	ACTUATOR	1							
21	2	158557-61720	SENSOR	1							
22	2	158553-61780	GEAR,SENSOR	1							
23	2	23414-120000	GASKET 12, ROUND	1							
24	2	23887-120002	PLUG M12,HEX.	1							
25	2	24341-000480	O-RING 1A S-48.0	1							
26	2	26106-060162	BOLT M 6X 16 PLATED	4							
27	2	26106-060252	BOLT M 6X 25 PLATED	9							
28	2	26106-060402	BOLT M 6X 40 PLATED	1							

Remarks
 * THIS FIGURE(GOVERNOR ASSY)IS
 INCORPORATED IN THE FUEL INJECTION
 PUMP ASSY(FIG.13).
 (REMARKS)"EFFECTIVE MACHINE NO." OF
 ENGINE IS INDICATED ON THE
 ENGINE LABEL WHICH IS SHOW
 IN FIG.4.

Fig.15. FUEL INJECTION VALVE

(A)=4TNV98-RNQH

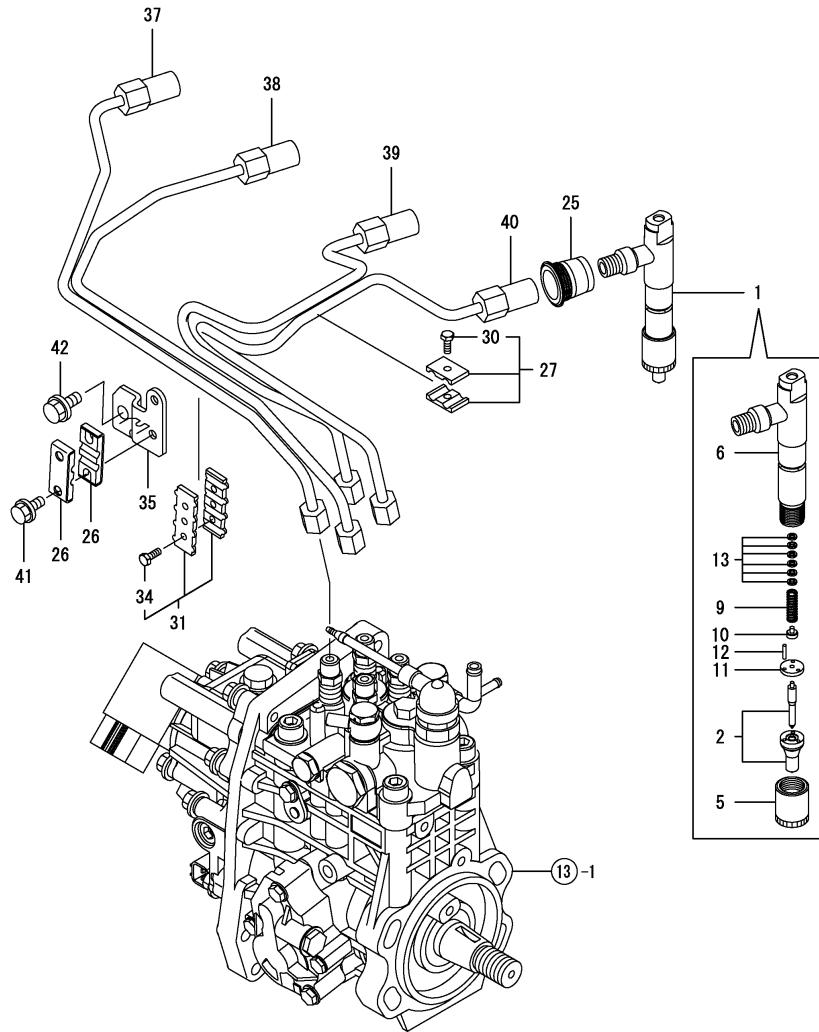
(B)=

(C)=

(D)=

(E)=

(F)=



REF.	LEV.	PARTS NO.	DESCRIPTION	QTY						I	R
				(A)	(B)	(C)	(D)	(E)	(F)		
1	1	729907-53100	VALVE ASSY, F.INJECT	4							
2	2	129907-53000	NOZZLE ASSY	4							
5	2	114250-53080	NUT, NOZZLE CASE	4							
6	2	129907-53100	HOLDER ASSY, NOZZLE	4							
9	2	114250-53120	SPRING, NOZZLE	4							
10	2	114250-53130	SEAT, NOZZLE SPRING	4							
11	2	114250-53140	PLATE, STOP	4							
12	2	114250-53210	PIN	8							
13	2	114250-53400	SHIM PACK	4							
25	1	123907-11601	PIPE SEAL	4							
26	1	122780-59100	RETAINER	2							
27	1	119305-59120	RETAINER	1							
30	2	129150-59131	BOLT M4X14,HEX.SCKT.	1							
31	1	129550-59120	RETAINER	1							
34	2	129150-59131	BOLT M4X14,HEX.SCKT.	2							
35	1	129972-59710	PIPE ASSY, INJECTION	1							
37	1	129907-59810	PIPE ASSY, INJECTION	1							
38	1	129907-59820	PIPE ASSY, INJECTION	1							
39	1	129907-59830	PIPE ASSY, INJECTION	1							
40	1	129907-59840	PIPE ASSY, INJECTION	1							
41	1	26106-060162	BOLT M 6X 16 PLATED	2							
42	1	26106-080182	BOLT M 8X 18 PLATED	1							

Remarks
 (REMARKS)"EFFECTIVE MACHINE NO." OF
 ENGINE IS INDICATED ON THE
 ENGINE LABEL WHICH IS SHOWN
 IN FIG.4.

Fig.16. FUEL LINE

(A)=4TNV98-RNQH

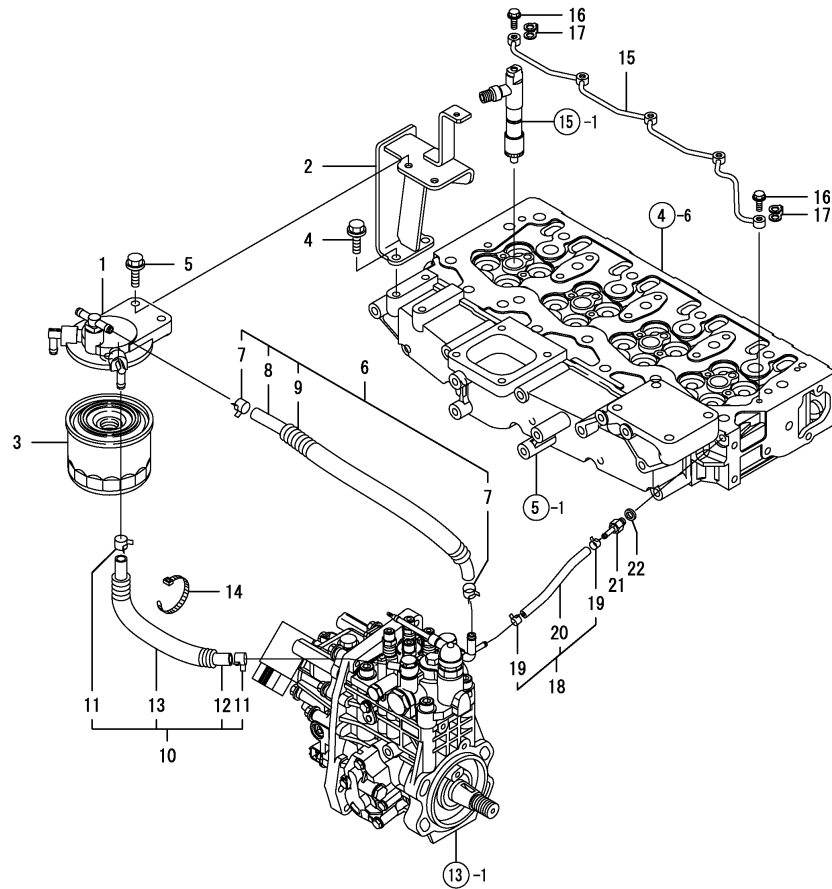
(B)=

(C)=

(D)=

(E)=

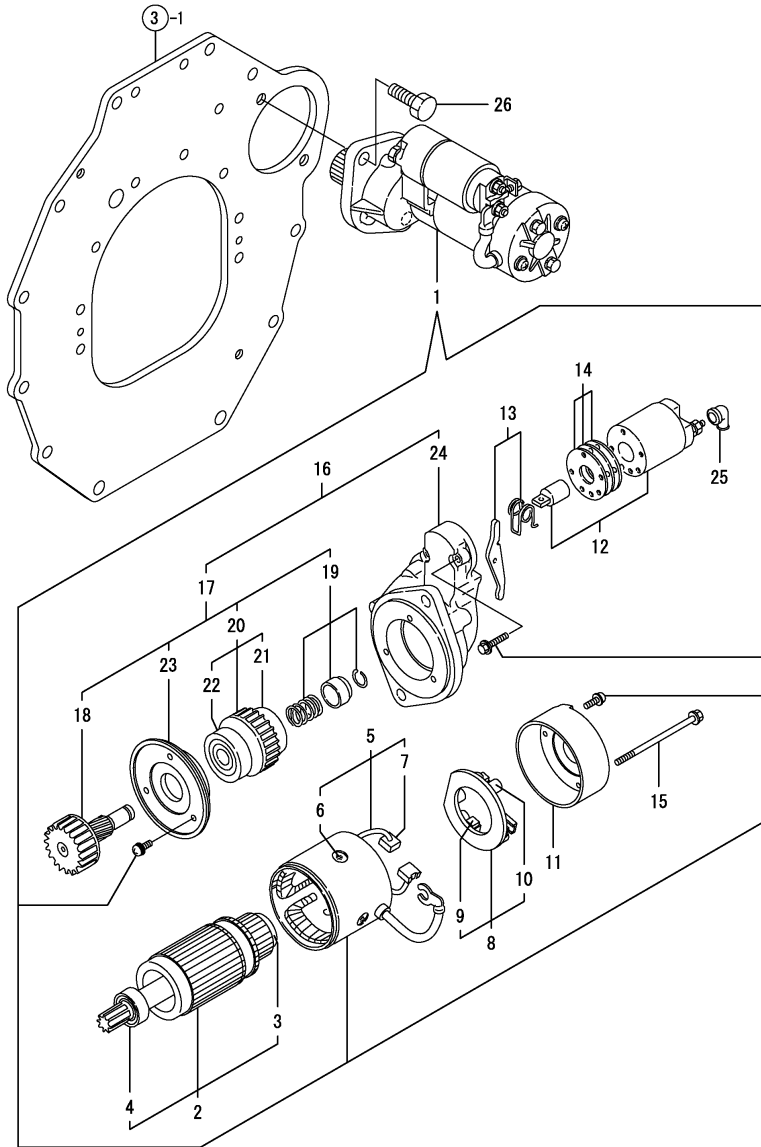
(F)=



REF.	LEV.	PARTS NO.	DESCRIPTION	Q'TY						I	R
				(A)	(B)	(C)	(D)	(E)	(F)		
1	1	119934-55610	BRACKET, FILTER	1							
1-1	1	119934-55611	BRACKET, FILTER	1							N
(A=E66565)											
2	1	129972-55620	STAY,F.O.FILTER	1							
3	1	119802-55801	FILTER, FUEL	1							
4	1	26106-080202	BOLT M 8X 20 PLATED	2							
5	1	26106-080302	BOLT M 8X 30 PLATED	2							
6	1	129467-59010	PIPE ASSY, FUEL	1							
7	2	124766-59050	CLAMP 12	2							
8	2	129335-59090	PIPE,FUEL (D13XL500)	1							
9	2	119560-59110	PROTECTOR, FUEL PIPE	1							
10	1	129972-59010	PIPE ASSY, FUEL OIL	1							
11	2	124766-59050	CLAMP 12	2							
12	2	129972-59090	PIPE, FUEL D13XL420	1							
13	2	129950-59221	TUBE	1							
14	1	121750-59890	CLAMP 140	1							
15	1	129907-59140	PIPE ASSY,F.O.RETURN	1							
16	1	123907-59540	JOINT BOLT M6	5							
17	1	123907-59550	PACKING,FUEL RETURN	5							
18	1	129486-59551	PIPE, FUEL RETURN	1							
19	2	124722-59050	CLAMP 9	2							
20	2	129486-59510	PIPE, FUEL RETURN	1							
21	1	123907-59560	HOSE JOINT 4	1							
22	1	22190-080002	SEAL WASHER 8S	1							

Remarks
 (REMARKS)"EFFECTIVE MACHINE NO." OF
 ENGINE IS INDICATED ON THE
 ENGINE LABEL WHICH IS SHOWN
 IN FIG.4.

Fig.17. STARTING MOTOR



(A)=4TNV98-RNQH

(B)=

(C)=

(D)=

(E)=

(F)=

REF.	LEV.	PARTS NO.	DESCRIPTION	QTY						I	R
				(A)	(B)	(C)	(D)	(E)	(F)		
1	1	129900-77010	STARTER(2.3KW	1							
2	2	129900-77400	ARMATURE ASSY	1							
3	3	X2114155110	BALL BEARING	1							
4	3	X2114255110	BALL BEARING	1							
5	2	129900-77440	COIL ASSY, FIELD	1							
6	3	171008-77450	SCREW, POLE CORE SET	4							
7	3	129900-77450	BRUSH (+)	2							
8	2	129900-77480	HOLDER ASSY, BRASH	1							
9	3	129900-77450	BRUSH (+)	2							
10	3	X2130631300	BRUSH SPRING	4							
11	2	129900-77460	COVER, REAR	1							
12	2	129900-77591	SWITCH ASSY,MAGNETIC	1							
13	2	129900-77620	SHIFT LEVER SET	1							
14	2	129900-77650	COVER ASSY, DUST	1							
15	2	129900-77640	BOLT, THROUGH	2							
16	2	129900-77700	GEAR CASE ASY	1							
17	3	129900-77510	PINION ASSY	1							
18	4	129900-77540	SHAFT, PINION	1							
19	4	129900-77550	STOPPER SET	1							
20	4	129900-77520	CLUTCH ASSY	1							
21	4	171008-77730	BALL BEARING (3)	1							
22	4	171008-77740	BALL BEARING (4)	1							
23	4	129900-77610	RETAINER, BEARING	1							
24	3	129900-77710	HOUSING, GEARS	1							
25	2	171008-77750	COVER, M TERMINAL	1							
26	1	26116-120252	BOLT M12X 25 PLATED	2							

Remarks
 (REMARKS)"EFFECTIVE MACHINE NO." OF
 ENGINE IS INDICATED ON THE
 ENGINE LABEL WHICH IS SHOWN
 IN FIG.4.

Fig.18. GENERATOR

(A)=4TNV98-RNQH

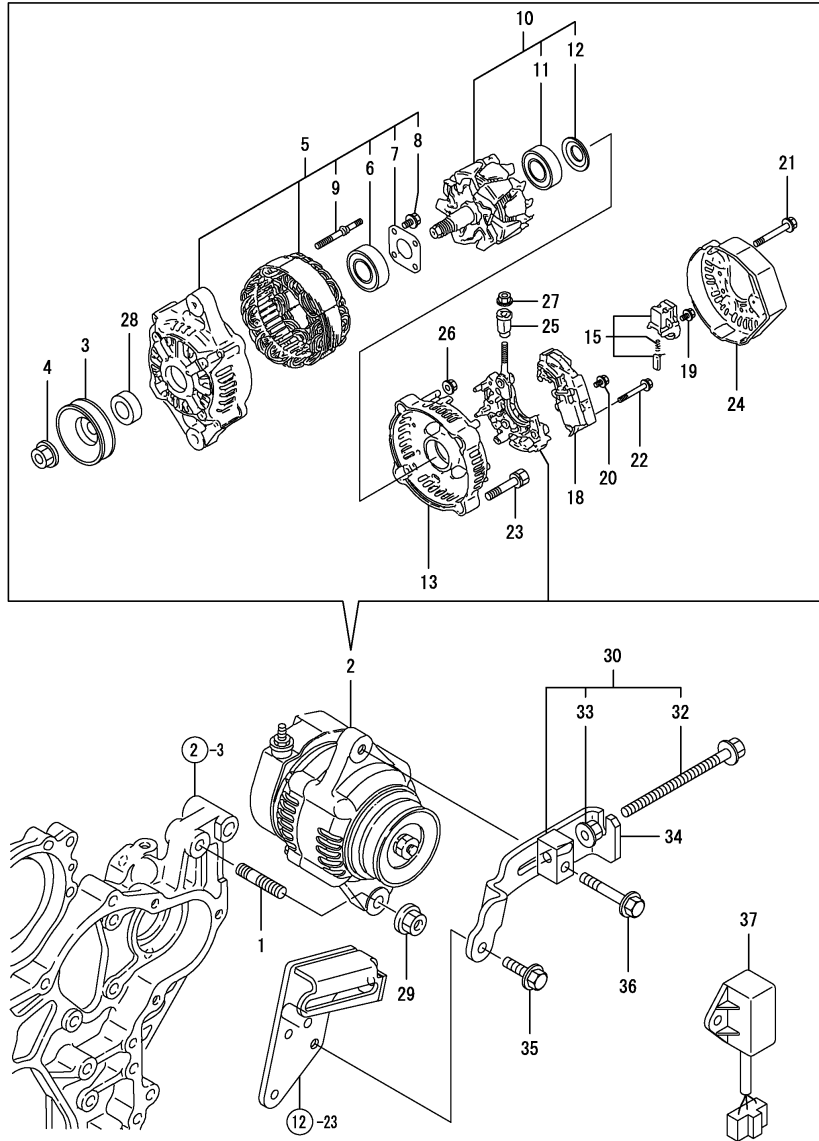
(B)=

(C)=

(D)=

(E)=

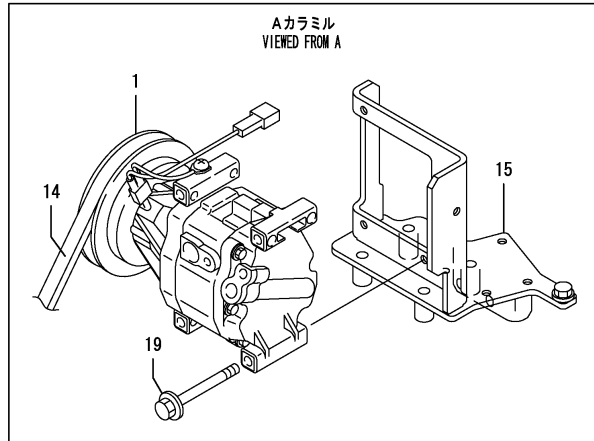
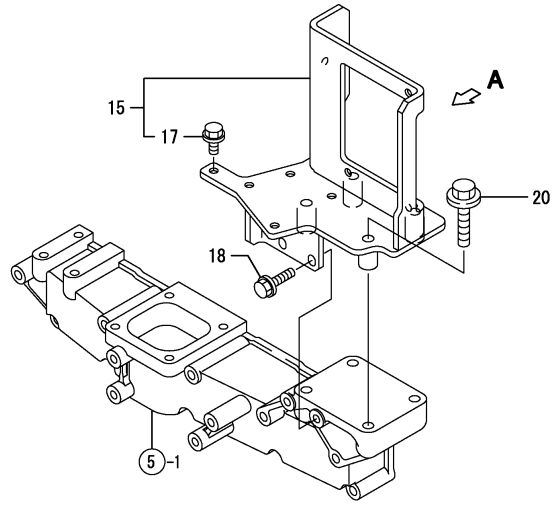
(F)=



REF.	LEV.	PARTS NO.	DESCRIPTION	QTY						I	R
				(A)	(B)	(C)	(D)	(E)	(F)		
1	1	129795-01900	STUD	1							
2	1	129961-77200	GENERATOR	1							
3	2	119620-77461	PULLEY	1							
4	2	119620-77471	NUT	1							
5	2	129961-77421	FRAME ASSY	1							
6	3	119620-79200	BALL BEARING	1							
7	3	119620-79210	PLATE	1							
8	3	119620-79220	SCREW	4							
9	3	119620-79230	BOLT, STUD	2							
10	2	129052-77380	ROTATOR ASSY	1							
11	3	123501-79240	BEARING, BALL	1							
12	3	119620-79250	COVER, BEARING	1							
13	2	128401-77440	FLAME	1							
15	2	129052-79270	HOLDER, BRUSH	1							
18	2	119620-77710	REGULATOR ASSY	1							
19	2	119620-79290	SCREW	6							
20	2	119620-79300	SCREW	1							
21	2	119620-79310	BOLT	3							
22	2	119620-79320	SCREW W/WASHER	2							
23	2	119620-79330	BOLT	2							
24	2	128401-77450	COVER	1							
25	2	119620-79340	INSULATION BUSH	1							
26	2	119620-79350	NUT	2							
27	2	X9490561001	NUT	1							
28	2	119620-77490	COLLAR	1							
29	1	26306-100002	NUT	1							
30	1	119624-77351	BROCK,GENERATOR CMP	1							
32	2	26106-081004	BOLT 8*100	1							
33	2	26306-080002	NUT	1							
34	1	129972-77370	ADJUSTER, BELT	1							
35	1	26014-080252	BOLT M 8X 25	1							
36	1	26106-080452	BOLT M 8X 45 PLATED	1							
37	1	185109-00060	CHANGER, ENG.SERIES	1							

Remarks
 (REMARKS)"EFFECTIVE MACHINE NO." OF
 ENGINE IS INDICATED ON THE
 ENGINE LABEL WHICH IS SHOWN
 IN FIG.4.

Fig.19. COMPRESSOR MOUNTING



0CNP4-G99100 19. COMPRESSOR MOUNTING

(A)=4TNV98-RNQH

(B)=

(C)=

(D)=

(E)=

(F)=

REF.	LEV.	PARTS NO.	DESCRIPTION	Q'TY						I	R
				(A)	(B)	(C)	(D)	(E)	(F)		
1	1	1A7320-87902	COMPRESSOR ASSY,	1							
14	1	129972-96150	V-BELT A60.0MP	1							
15	1	129972-96901	STAY CMP, COMPRESSOR	1							
17	2	26106-080122	BOLT M 8X 12 PLATED	1							
18	1	26106-080222	BOLT M 8X 22 PLATED	2							
19	1	26106-080702	BOLT M 8X 70 PLATED	3							
20	1	26106-100452	BOLT M10X 45 PLATED	4							

Remarks
 (REMARKS)"EFFECTIVE MACHINE NO." OF
 ENGINE IS INDICATED ON THE
 ENGINE LABEL WHICH IS SHOWN
 IN FIG.4.

Fig.20. SHORT BLOCK

(A)=4TNV98-RNQH

(B)=

(C)=

(D)=

(E)=

(F)=

REF.	LEV.	PARTS NO.	DESCRIPTION	Q'TY						I	R
				(A)	(B)	(C)	(D)	(E)	(F)		
1	1	729963-01000	SHORT BLOCK ASSY	1							
2	2	129963-01000	BLOCK ASSY, CYLINDER	1							
3	2	129100-01580	PIN, PARALLEL	2							
4	2	129100-01580	PIN, PARALLEL	2							
5	2	129956-01710	PIPE, KNOCK L=25	1							
6	2	119309-01810	PLUG	1							
7	2	129900-02800	METAL ASSY, MAIN	5							
8	2	129900-02931	BEARING ASSY, THRUST	2							
9	2	129150-14200	TAPPET	8							
10	2	129907-14581	CAMSHAFT ASSY	1							
11	2	129956-21000	CRANKSHAFT ASSY	1							
12	2	129963-22080	PISTON ASSY	4							
13	2	120130-22301	PIN, PISTON	4							
14	2	129900-23001	ROD ASSY, CONNECTING	4							
15	2	129900-23601	BEARING ASSY, CRANK	4							
16	2	123900-25060	SHAFT, IDLE GEAR	1							
17	2	129900-25100	GEAR ASSY, IDLE	1							
18	2	22252-000300	RING, 30	8							
19	2	22351-060012	PIN, 6.0A X12	2							
20	2	23876-030000	PLUG, R03	1							
21	2	23876-030000	PLUG, R03	1							
22	2	26106-080162	BOLT, 8 X16	2							
23	2	26106-080552	BOLT, 8 X55	2							

NOT ILLUSTRATED

Remarks

* NOT ILLUSTRATED.

N:Old $\xrightarrow{\text{Yes}}$ New, Q:Old $\xrightarrow{\text{No}}$ New, R:Old $\xrightarrow{\text{Yes}}$ New, S:Old $\xrightarrow{\text{No}}$ New, W:Add, Z:Discontinued, F:Interchangeable by set, K:Q'ty Change

Part Number Index

All parts are stipulated in the order of part numbers.

(Depending on the area in which the part is used.)

This index will display the location of the part according to each part number.

PARTS No. INDEX

PARTS No.	Fig.	Ref.No.
105010-39140	11	31
105425-01690	3	6
114250-39450	11	20
114250-53080	15	5
114250-53120	15	9
114250-53130	15	10
114250-53140	15	11
114250-53210	15	12
114250-53400	15	13
119005-35151	11	15
119005-44761	12	36
119131-18320	6	5
119254-44910	12	43
119305-59120	15	27
119309-01810	1	34
	20	6
119560-59110	16	9
119593-11301	4	32
119620-11180	4	17
119620-77461	18	3
119620-77471	18	4
119620-77490	18	28
119620-77710	18	18
119620-79200	18	6
119620-79210	18	7
119620-79220	18	8
119620-79230	18	9
119620-79250	18	12
119620-79290	18	19
119620-79300	18	20
119620-79310	18	21
119620-79320	18	22
119620-79330	18	23
119620-79340	18	25
119620-79350	18	26
119624-77351	18	30
119625-11880	4	28
119640-61400	4	63
119802-11870	4	27
119802-51680	13	65
119802-51690	13	66
119802-55801	16	3
119803-11340	4	18
119852-49300	12	13
119852-51630	13	70
119852-51640	13	71
119852-51650	13	73
119860-34810	11	14
119934-55610	16	1
119934-55611	16	1 -1

PARTS No.	Fig.	Ref.No.
120130-22301	8	23
	20	13
121450-01560	9	4 -1
121450-42450	12	10
121750-59890	16	14
121850-21130	8	13
121850-21290	8	4
		5
	10	4
		5
121850-21920	8	6
121850-49550	12	39
121850-49800	12	41
121850-77021	5	5
122780-59100	15	26
123501-79240	18	11
123900-13630	6	4
123900-25060	7	9
	20	16
123907-03100	4	57
123907-03110	4	58
123907-03120	4	59
123907-03140	4	60
123907-11280	4	37
123907-11550	4	5
123907-11601	15	25
123907-11820	4	24
123907-11830	4	23
123907-59540	16	16
123907-59550	16	17
123907-59560	16	21
124160-01751	2	24
	4	52
124160-11340	4	19
124160-11360	4	66
124240-01883	9	2
124411-01780	3	14
124465-44950	12	12
124722-59050	16	19
124766-59050	16	7
		11
128401-77440	18	13
128401-77450	18	24
128610-14120	10	3
129001-91810	2	27
		33
129001-91841	3	10
129005-59830	11	25
129008-61301	14	19
129052-77380	18	10

PARTS No.	Fig.	Ref.No.
129052-79270	18	15
129054-96990	12	26
129100-01580	1	32
		33
	2	1
	20	3
		4
129122-44480	11	7
129150-02450	7	4
129150-11230	4	40
		44
129150-11750	4	22
		41
		45
129150-14200	7	1
	20	9
129150-25920	7	13
129150-49360	12	44
129150-59131	15	30
		34
129242-49450	12	45
129263-13210	6	2
129263-77930	13	129
129263-77941	13	130
129263-77951	13	128
129335-59090	16	8
129457-96200	12	20
129457-96230	12	21
129467-59010	16	6
129486-59510	16	20
129486-59551	16	18
129509-51390	13	23 A
129550-59120	15	31
129657-51590	13	60
129657-51600	13	61
129693-44310	3	9
129795-01900	18	1
129795-01960	10	1
129900-01200	1	30
129900-01250	1	4
129900-01740	2	26
129900-02020	1	7
129900-02341	1	35
129900-02410	1	10
129900-02800	20	7
129900-02931	1	27
	20	8
129900-02941	1	38
129900-13200	6	1
129900-13251	6	3

PARTS No.	Fig.	Ref.No.
129900-14100	7	6
129900-14140	2	35
129900-21200	8	3
129900-21600	8	16
129900-23001	8	25
	20	14
129900-23200	8	29
129900-23601	8	30
	20	15
129900-23611	8	32
129900-23911	8	28
129900-25100	7	10
	20	17
129900-26250	2	36
129900-32030	2	17
	11	16
129900-32040	2	18
129900-42061	12	1
129900-42070	12	2
129900-42140	12	18
129900-42161	12	5
129900-42170	12	6
129900-42461	12	33
129900-49560	12	40
129900-77010	17	1
129900-77400	17	2
129900-77440	17	5
129900-77450	17	7
		9
129900-77460	17	11
129900-77480	17	8
129900-77510	17	17
129900-77520	17	20
129900-77540	17	18
129900-77550	17	19
129900-77591	17	12
129900-77610	17	23
129900-77620	17	13
129900-77640	17	15
129900-77650	17	14
129900-77700	17	16
129900-77710	17	24
129906-01960	13	134
129906-12100	5	1
129906-51580	13	58
129907-01331	1	31
129907-03011	4	54
129907-03061	4	55
129907-03070	4	56
129907-11100	4	14

PARTS No. INDEX

PARTS No.	Fig.	Ref.No.
129907-11110	4	15
129907-11120	4	16
129907-11250	4	34
129907-11260	4	35
129907-11270	4	36
129907-11321	4	53
129907-11341	4	33
129907-11510	4	20
129907-11650	4	38
129907-11660	4	42
129907-11700	4	6
129907-11800	4	9
129907-11910	4	29
129907-11920	4	46
129907-11950	4	30
129907-12110	5	2
129907-14400	7	2
129907-14581	7	3
	20	10
129907-22050	8	19
129907-25900	7	16
129907-44740	12	35
129907-51560	13	55
129907-53000	15	2
129907-53100	15	6
129907-59140	16	15
129907-59810	15	37
129907-59820	15	38
129907-59830	15	39
129907-59840	15	40
129915-77051	5	6
129916-01800	2	32
129916-21610	8	9
129916-59020	13	126
129930-13201	6	7
129930-39050	11	30
129933-11310	4	62
129940-01500	2	3
129950-59221	16	13
129953-25300	7	15
129956-01640	3	12
129956-01710	1	5
	20	5
129956-01740	3	5
129956-07911	4	1
129956-21000	8	1
	20	11
129956-26010	9	1
129956-26220	9	3
129956-28009	10	2

PARTS No.	Fig.	Ref.No.
129956-28019	10	6
129956-28101	10	10
129956-28111	10	11
129956-28180	10	12
129956-28321	8	7
129956-28332	10	13
129956-28341	10	14
129956-32001	2	4
129956-33011	11	1
129956-33101	11	3
129956-33110	11	4
129956-33120	11	5
129956-35000	11	17
129956-49172	11	8
129957-33050	11	2
129960-21640	8	10
129961-77200	18	2
129961-77421	18	5
129963-01000	20	2
129963-13500	6	8
129963-22080	8	17
	20	12
129963-39060	11	21
129972-01600	3	1
129972-01700	3	3
129972-01731	3	4
129972-07920	4	2
129972-13651	6	9
129972-13951	6	10
129972-21580	8	14
129972-21660	8	11
129972-33140	11	6
129972-34800	11	13
129972-42100	12	3
129972-42280	12	34
129972-49350	12	14
129972-55620	16	2
129972-59010	16	10
129972-59090	16	12
129972-59710	15	35
129972-77370	18	34
129972-96150	19	14
129972-96901	19	15
129972-96951	12	19
129972-96961	12	23
129972-96971	12	24
129972-96980	12	25
129974-01950	13	133
129974-01970	13	135
129981-49531	12	38

PARTS No.	Fig.	Ref.No.
144626-51090	13	12
158552-51570	13	56
158552-51580	13	59
158552-51670	13	4
158552-51781	13	99
158552-52100	13	105
158552-52310	13	107
158552-52400	13	108
158552-52500	13	106
158553-51670	13	64
158553-51680	13	77
158553-61780	14	22
158557-51570	13	57
158557-61600	14	20
158557-61720	14	21
158560-51600	13	69
158560-61050	14	2
158563-51150	7	17
158563-51281	13	22
		23
158563-51330	13	32
158600-51270	13	21
158601-51550	13	54
158601-51650	13	76
158601-51770	13	98
158601-51790	13	100
171008-77450	17	6
171008-77730	17	21
171008-77740	17	22
171008-77750	17	25
171051-01921	1	6
185109-00060	18	37
1A7320-87902	19	1
1A7450-41110	9	6
729900-02801	1	24
729906-01550	2	30
729907-22950	8	36
729907-53100	15	1
729963-01000	20	1
729963-01560	1	1
729963-22900	8	34
729963-51320	13	1
X2114155110	17	3
X2114255110	17	4
X2130631300	17	10
X9490561001	18	27

PARTS No.	Fig.	Ref.No.
-----------	------	---------



YANMAR CO.,LTD.



PARTS CATALOG

Published

2009/12 (Dec.)

0CNP4-G99200

Directions for the Parts Catalog.

1. The parts stipulated in this Parts Catalog are not necessarily standard equipped parts.
2. Parts may change without prior notice.
3. The following is an example of the Parts Catalog format.

REF.	LEV.	PARTS NO.	DESCRIPTION	Q'TY						I	R
				(A)	(B)	(C)	(D)	(E)	(F)		
1	1	729595-51390	FUEL INJECTION PUMP	1	1	1	1	1			1
1-1	1	729595-51391	FUEL INJECTION PUMP	1	1	1	1	1		N	1
		(A=E00185) (B=E00200)									
3	2	26022-060162	SCREW M 6X 16	9	9	9	9	9			
3-1	2	26022-060162	SCREW M 6X 16	4	4	4	4	4		K	
		(A=E00156) (B=E00156) (C=E00156) (D=E00156) (E=E00156)									
4	2	129470-51040	CAMSHAFT	1	1	1	1	1			
5	2	122710-51050	BEARING, ROLLER	2	2	2	2	2			
6	2	129470-51060	RETAINER	1	1	1	1	1			

Remarks
(1) BOOST COMPEMSATOR TYPE. OPTIONAL PART, TO E00155,(4JH-DT, 4JH-DTZ

① Ref. No.

The Ref. No. listed may not be in accordance with the illustration Ref. No.

(Ex.) Illustration No.

List Ref No.

1

1

(Before change)

1-1

(After change)

For interchangeable symbols N, R and K, illustrations for new parts may be abbreviated.

② Lev. (Level)

Level indication

The numbers below indicate the level of relativity towards the main part.

1 ----- Main parts (Assembly parts)

2 ----- Sub component included in " 1 ".

3 ----- Sub component included in " 2 ".

Note) Parts that are not for sale are partially illustrated but not listed.

③ Interchangeability Mark

When a part change takes place, one of the following interchangeability symbols is indicated beside the part.

Symbol	Interchangeability	Contents note
N	Old $\begin{matrix} \leftarrow \text{Yes} \\ \text{No} \rightarrow \end{matrix}$ New	New Part is interchangeable for Old Part but Old Part is not interchangeable for New Part.
Q	Old $\begin{matrix} \leftarrow \text{No} \\ \text{Yes} \rightarrow \end{matrix}$ New	New Part is not interchangeable for Old Part but Old Part is interchangeable for New Part.
R	Old $\begin{matrix} \leftarrow \text{Yes} \\ \text{Yes} \rightarrow \end{matrix}$ New	New/ Old Parts are both interchangeable.
S	Old $\begin{matrix} \leftarrow \text{No} \\ \text{No} \rightarrow \end{matrix}$ New	New/ Old Parts are both not interchangeable.
W		Part discontinued.
Z		Part newly added.
F		Not interchangeable by a single part but interchangeable together with related parts.
K		Changes only for used parts quantities.

④ Effective Machine No.

When a part changes, the effective Machine No. will be indicated in the (A)-(F) column.

Product Symbol	Product No.	Product Symbol	Product No.
C	Clutch No. Compressor No.	F	Machine No. (Agricultural Equip.)
D	Drive No.	M	Machine No.
E	Engine No.	Note 1)	Date

Note 1) A date may follow the symbol. (Ex.) 1996.01

Note 2) " XXX " are for parts that could not be predicted or for engine models that could not be identified.

Note 3) (A=E00185) is the E (Engine Serial Number) for the column (A) model (in this case 4JH-DT) after the parts design change.

⑤ Remarks Mark

Figures or alphabets (symbols) are entered in the remarks column.

The comments (remarks) on parts that are indicated at the bottom of the illustration are the same symbols as those stated above.

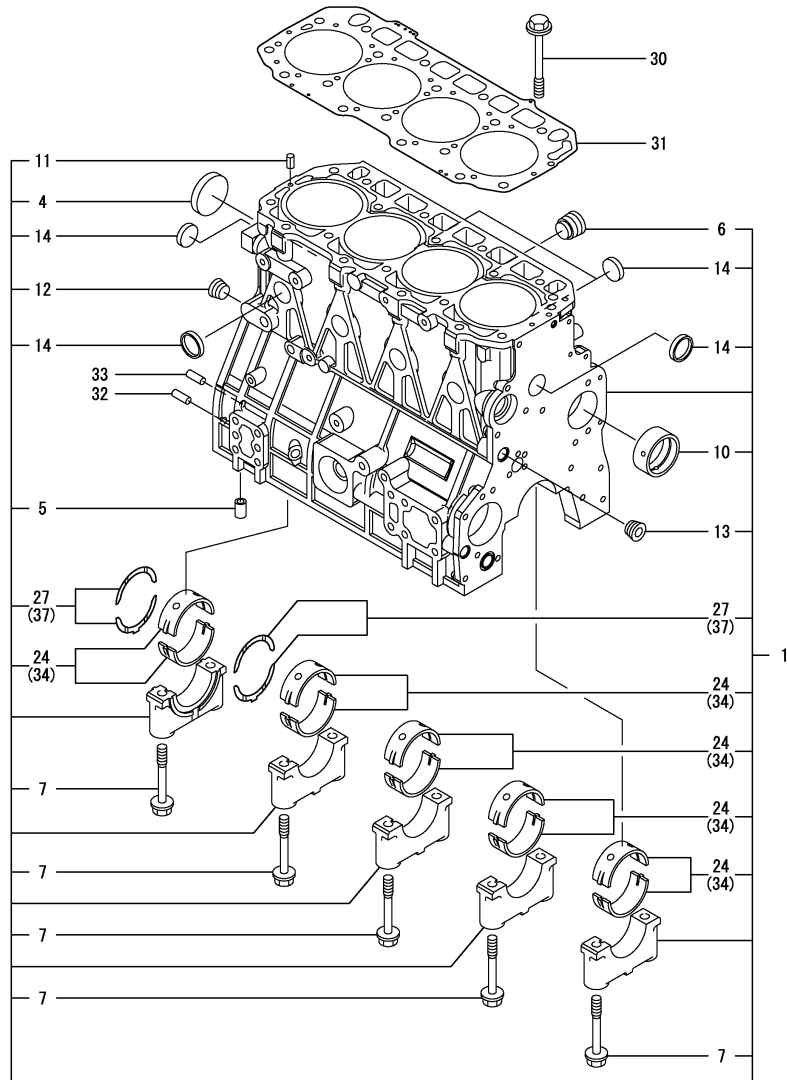
CONTENTS

MODEL : 4TNV98T-RAQH,RNQH
PC NO : 0CNP4-G99200

Fig.No.	GROUP NAME
	ENGINE SECTION (4TNV98T-RAQH,RNQH)
1.	CYLINDER BLOCK
2.	GEAR HOUSING
3.	MOUNTING FLANGE & OIL SUMP
4.	CYLINDER HEAD & BONNET
5.	SUCTION MANIFOLD
6.	EXHAUST MANIFOLD & SILENCER
7.	TURBINE
8.	CAMSHAFT & DRIVING GEAR
9.	CRANKSHAFT & PISTON
10.	HYDRAULIC PUMP
11.	BALANCER
12.	LUB.OIL SYSTEM
13.	LUB.OIL LINE
14.	COOLING WATER SYSTEM
15.	FUEL INJECTION PUMP
16.	GOVERNOR
17.	FUEL INJECTION VALVE
18.	FUEL LINE
19.	STARTING MOTOR
20.	GENERATOR
21.	COMPRESSOR MOUNTING
22.	SHORT BLOCK

Fig.No. GROUP NAME

Fig.1. CYLINDER BLOCK



OCNP4-G99200 1. CYLINDER BLOCK

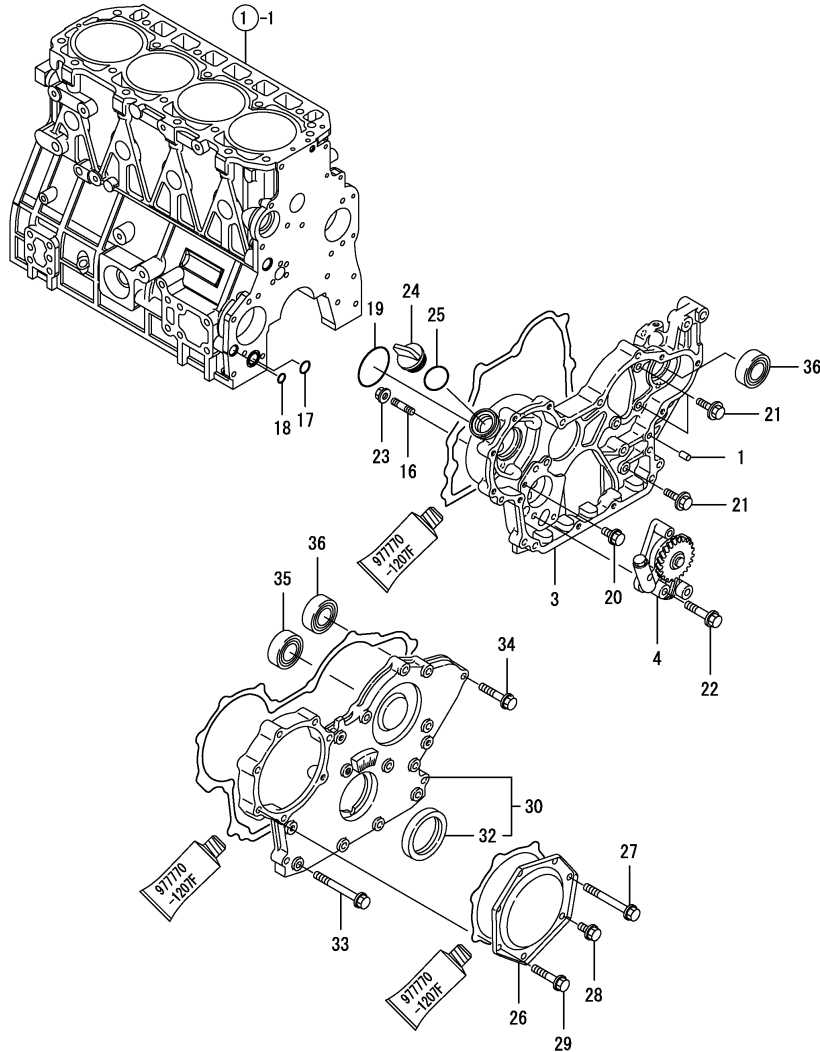
(A)=4TNV98T-RAQH
 (B)=4TNV98T-RNQH
 (C)=

(D)=
 (E)=
 (F)=

REF.	LEV.	PARTS NO.	DESCRIPTION	QTY						I	R
				(A)	(B)	(C)	(D)	(E)	(F)		
1	1	729972-01560	BLOCK ASSY, CYLINDER	1	1						
4	2	129900-01250	PLUG 55	1	1						
5	2	129956-01710	KNOCK L=25	1	1						
6	2	171051-01921	PLUG	1	1						
7	2	129900-02020	BOLT, METAL CAP	10	10						
10	2	129900-02410	BUSH, CAMSHAFT	1	1						
11	2	22351-060012	SPRING PIN 6X12	2	2						
12	2	23876-030000	PLUG PT3/8,SCREW	1	1						
13	2	23876-030000	PLUG PT3/8,SCREW	1	1						
14	2	27241-300000	PLUG 30	8	8						
24	2	729900-02801	MAIN BEARING SET	5	5						3
27	2	129900-02931	BEARING ASSY, THRUST	2	2						
30	1	129900-01200	BOLT, HEAD	18	18						
31	1	129907-01331	GASKET,CYLINDER HEAD	1	1						
32	1	129100-01580	PARALLEL PIN 8X16	2	2						
33	1	129100-01580	PARALLEL PIN 8X16	2	2						
34	1	129900-02341	MAIN BEARING US=0.25	5	5						1
37	1	129900-02941	BEARING,THRUST .25OS	2	2						2

Remarks
 (1) UNDER-SIZE(U.S=0.25)PART.
 (2) OVER-SIZE(O.S=0.25)PART.
 (3) REPAIR PART.
 (REMARKS)"EFFECTIVE MACHINE NO." OF
 ENGINE IS INDICATED ON THE
 ENGINE LABEL WHICH IS SHOWN
 IN FIG.4.

Fig.2. GEAR HOUSING



0CNP4-G99200 2. GEAR HOUSING

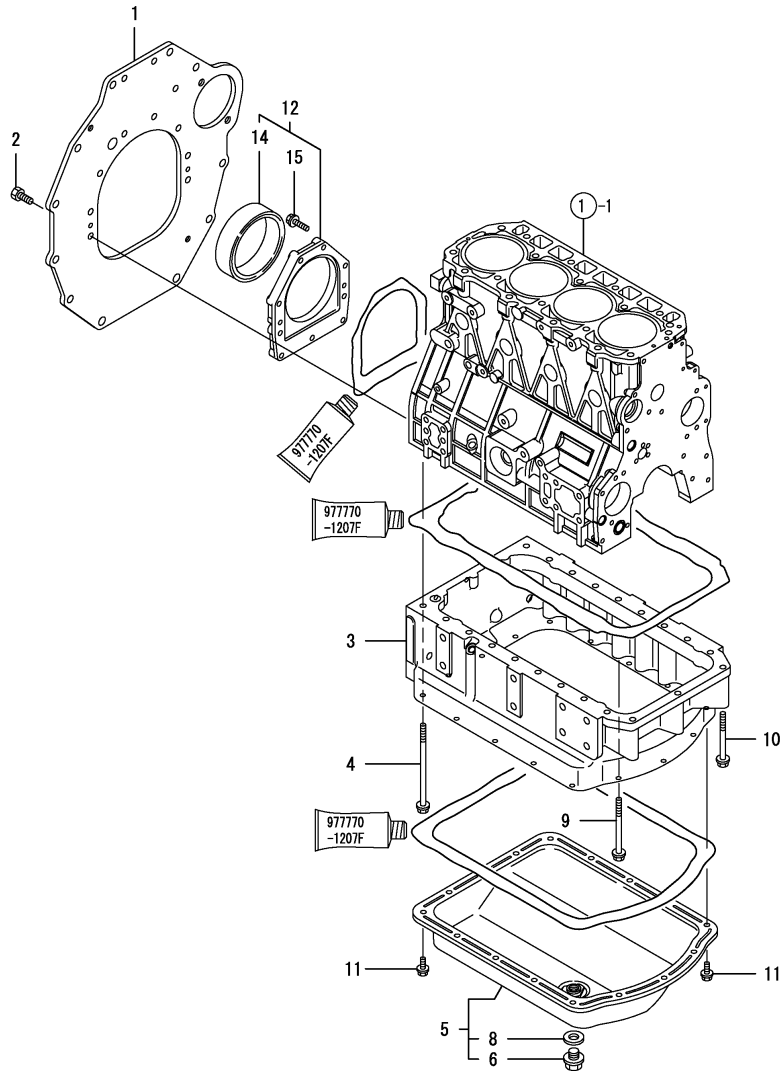
(A)=4TNV98T-RAQH
 (B)=4TNV98T-RNQH
 (C)=

(D)=
 (E)=
 (F)=

REF.	LEV.	PARTS NO.	DESCRIPTION	QTY						I	R
				(A)	(B)	(C)	(D)	(E)	(F)		
1	1	129100-01580	PIN, PARALLEL	4	4						
3	1	129908-01520	HOUSING,GEARS	1	1						
4	1	129908-32060	PUMP ASSY, LUB.OIL	1	1						
16	1	26216-100302	STUD,BOLT 10 X 30	4	4						
17	1	129900-32030	O-RING, P20	1	1						
18	1	129900-32040	O-RING, P14	1	1						
19	1	24351-030750	PACKING, 3075	1	1						
20	1	26106-080162	BOLT, 8 X 16	1	1						
21	1	26106-080202	BOLT, 8 X 20	3	3						
22	1	26106-080452	BOLT, 8 X 45	3	3						
23	1	26306-100002	NUT, 10	4	4						
24	1	124160-01751	COVER, FILLER	1	1						
25	1	24311-000320	PACKING, P 32.0	1	1						
26	1	129900-01740	COVER, PUMP TIMING	1	1						
27	1	129001-91810	BOLT M8X70, AUTO	1	1						
28	1	26106-080162	BOLT, 8 X 16	1	1						
29	1	26106-080402	BOLT, 8 X 40	5	5						
30	1	729906-01550	HOUSING ASSY,COVER,G	1	1						
32	2	129916-01800	SEAL, GEAR CASE	1	1						
33	1	129001-91810	BOLT M8X70, AUTO	6	6						
34	1	26106-080402	BOLT, 8 X 40	5	5						
35	1	129900-14140	BEARING, 6205	1	1						
36	1	129900-26250	BEARING, 6206C3	2	2						

Remarks
 (REMARKS)"EFFECTIVE MACHINE NO." OF
 ENGINE IS INDICATED ON THE
 ENGINE LABEL WHICH IS SHOWN
 IN FIG.4.

Fig.3. MOUNTING FLANGE & OIL SUMP



0CNP4-G99200 3. MOUNTING FLANGE & OIL SUMP

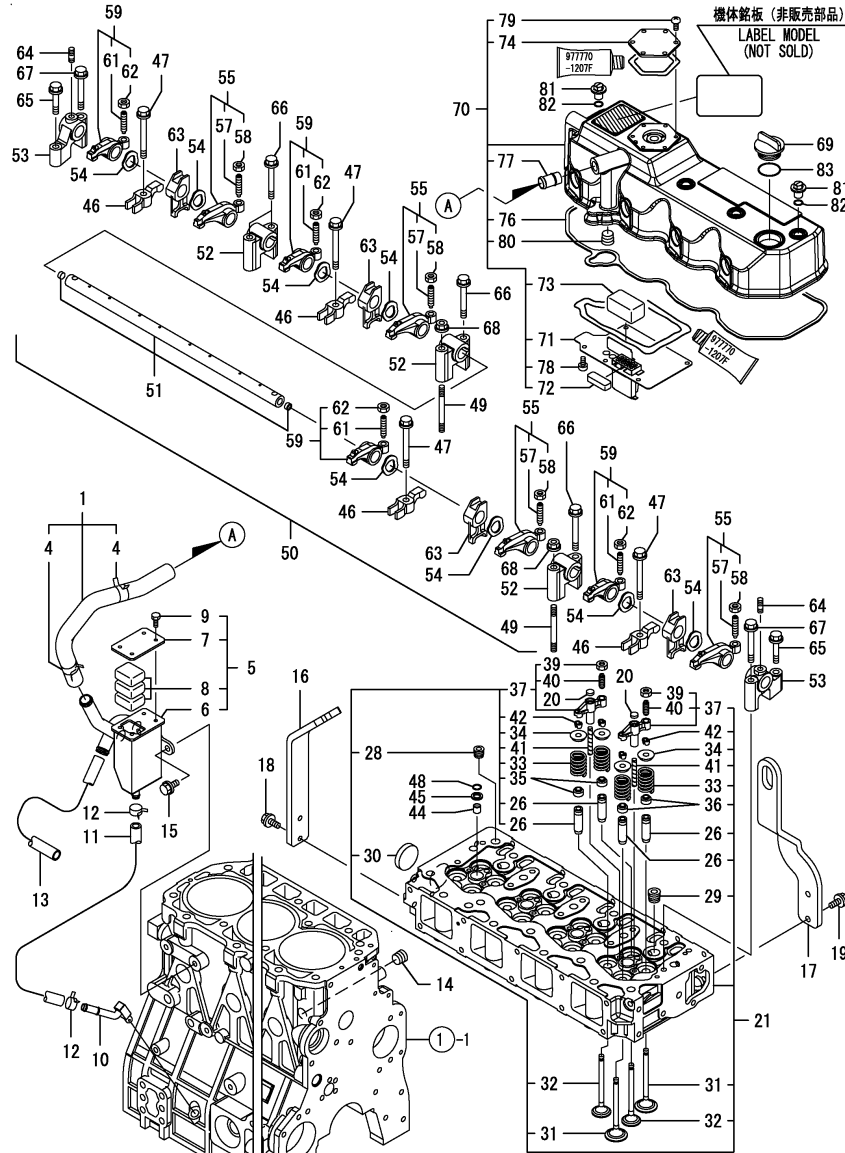
(A)=4TNV98T-RAQH
 (B)=4TNV98T-RNQH
 (C)=

(D)=
 (E)=
 (F)=

REF.	LEV.	PARTS NO.	DESCRIPTION	Q'TY						I	R
				(A)	(B)	(C)	(D)	(E)	(F)		
1	1	129972-01600	FLANGE, MOUNTING	1	1						
2	1	26116-100202	BOLT, 10 X 20	9	9						
3	1	129972-01700	SUMP, LUB.OIL	1	1						
4	1	129972-01731	BOLT(M8X150	2	2						
5	1	129956-01740	COVER ASSY, OIL SUMP	1	1						
6	2	105425-01690	PLUG, DRAIN 16	1	1						
8	2	22190-160002	WASHER, SEAL 16	1	1						
9	1	129693-44310	BOLT, COOLER	16	16						
10	1	129001-91841	BOLT, M8X85	3	3						
11	1	26106-080122	BOLT, 8 X 12	16	16						
12	1	129956-01640	CASE ASSY, OIL SEAL	1	1						
14	2	124411-01780	SEAL, HTC9511512	1	1						
15	1	26106-080302	BOLT, 8 X 30	9	9						

Remarks
 (REMARKS)"EFFECTIVE MACHINE NO." OF
 ENGINE IS INDICATED ON THE
 ENGINE LABEL WHICH IS SHOWN
 IN FIG.4.

Fig.4. CYLINDER HEAD & BONNET



Remarks
 (1) REPAIR PART.
 (REMARKS)"EFFECTIVE MACHINE NO." OF
 ENGINE IS INDICATED ON THE
 ENGINE LABEL WHICH IS SHOWN
 IN FIG.4.

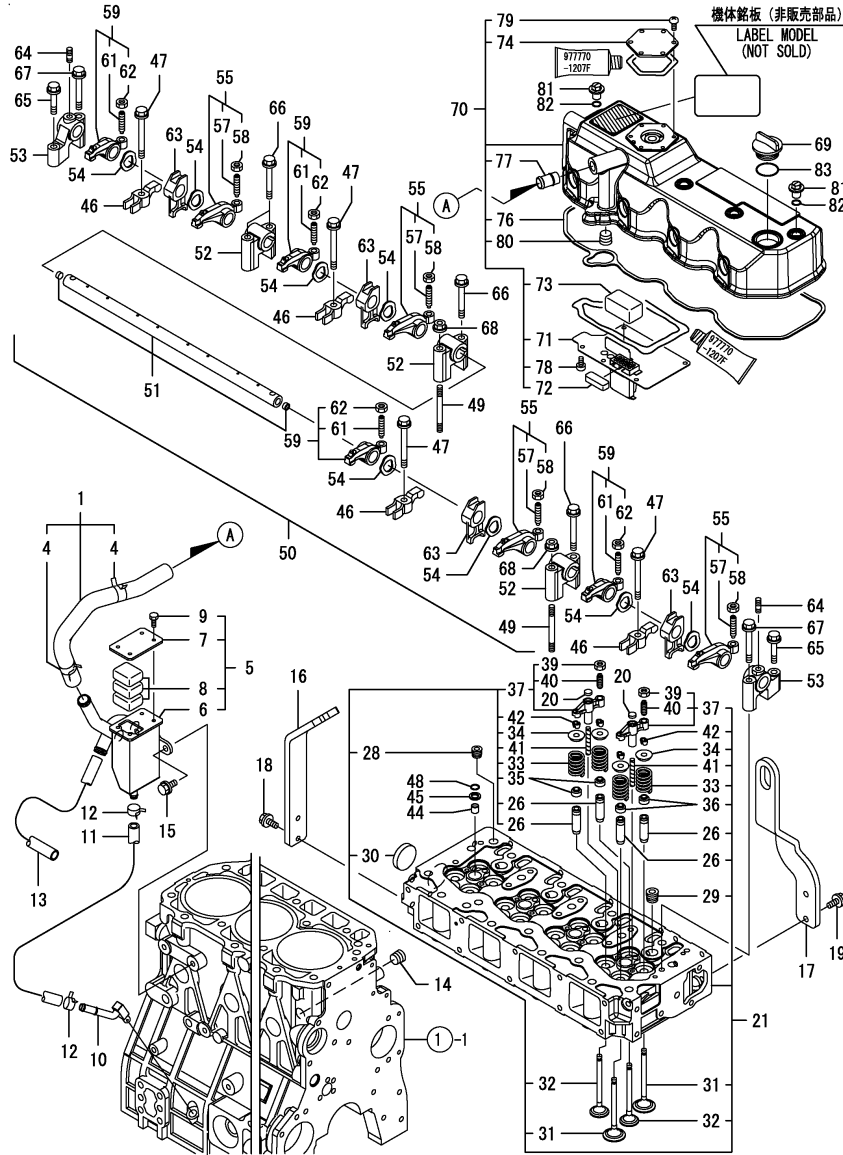
0CNP4-G99200 4. CYLINDER HEAD & BONNET

(A)=4TNV98T-RAQH
 (B)=4TNV98T-RNQH
 (C)=

(D)=
 (E)=
 (F)=

REF.	LEV.	PARTS NO.	DESCRIPTION	Q'TY						I	R
				(A)	(B)	(C)	(D)	(E)	(F)		
1	1	129972-03010	HOSE CMP, BREATHER	1	1						
4	2	129410-03990	CAMP, HOSE 22	2	2						
5	1	129972-03200	MISTSEPARATOR ASSY	1	1						
6	2	129972-03210	MISTSEPARATOR	1	1						
7	2	129972-03220	COVER,SEPARATOR	1	1						
8	2	123901-03240	FILTER, BREATHER	3	3						
9	2	26116-050102	BOLT, 5 X 10	4	4						
10	1	129972-03280	JOINT,L.O.RETURN	1	1						
11	1	129972-03310	HOSE,BREATHER RETURN	1	1						
12	1	23000-022000	CLAMP, HOSE 22	2	2						
13	1	23065-160500	HOSE, 16 X 500	1	1						
14	1	23876-030000	PLUG, R03	1	1						
15	1	26106-080142	BOLT, 8 X 14	2	2						
16	1	129956-07911	LIFTER, ENGINE	1	1						
17	1	129972-07920	LIFTER, ENGINE	1	1						
18	1	26106-080202	BOLT, 8 X 20	2	2						
19	1	26106-080202	BOLT, 8 X 20	2	2						
20	1	123907-11550	SEAT A,VALVE BRIDGE	8	8						
21	1	129908-11700	HEAD ASSY, CYLINDER	1	1						
26	2	129907-11800	GUIDE, VALVE	16	16						1
28	2	23876-020000	PLUG, R02	1	1						
29	2	23876-030000	PLUG, R03	4	4						
30	2	27241-400000	PLUG, 40	1	1						
31	2	129907-11100	VALVE, INTAKE	8	8						
32	2	129907-11110	VALVE, EXHAUST	8	8						
33	2	129907-11120	SPRING, VALVE	16	16						
34	2	119620-11180	RETAINER, SPRING	16	16						
35	2	119803-11340	SEAL, VALVE STEM	8	8						
36	2	124160-11340	SEAL, VALVE	8	8						
37	2	129907-11510	BRIDGE ASSY,VALVE	8	8						
39	3	129150-11750	NUT, M8XP1.0	1	1						
40	3	123907-11830	SCRWE,VALVE BRIDGE	1	1						
41	2	123907-11820	GUIDE,VALVE BRIDGE	8	8						
42	2	27310-070001	COTTER ASSY	16	16						
44	1	119802-11870	PROTECTOR, NOZZLE	4	4						
45	1	119625-11880	SEAT, VALVE	4	4						
46	1	129907-11910	RETAINER,F.I.VALVE	4	4						
47	1	129907-11950	FLANGE BOLT,RETAINER	4	4						
48	1	24311-000120	PACKING, P 12.0	4	4						
49	1	119593-11301	STUD, M8X80	2	2						
50	1	129907-11341	SHAFT ASSY,ROCKER	1	1						
51	2	129907-11250	SHAFT,ROCKER ARM	1	1						
52	2	129907-11260	SUPPORT, A	3	3						
53	2	129907-11270	SUPPORT, B	2	2						
54	2	123907-11280	WASHER, WAVE M	8	8						
55	2	129907-11650	ARM ASSY, ROCKER	4	4						
57	3	129150-11230	SCREW, ADJUSTING	4	4						
58	3	129150-11750	NUT, M8XP1.0	4	4						
59	2	129907-11660	ARM ASSY, ROCKER	4	4						
61	3	129150-11230	SCREW, ADJUSTING	4	4						
62	3	129150-11750	NUT, M8XP1.0	4	4						

Fig.4. CYLINDER HEAD & BONNET



(A)=4TNV98T-RAQH

(B)=4TNV98T-RNQH

(C)=

(D)=

(E)=

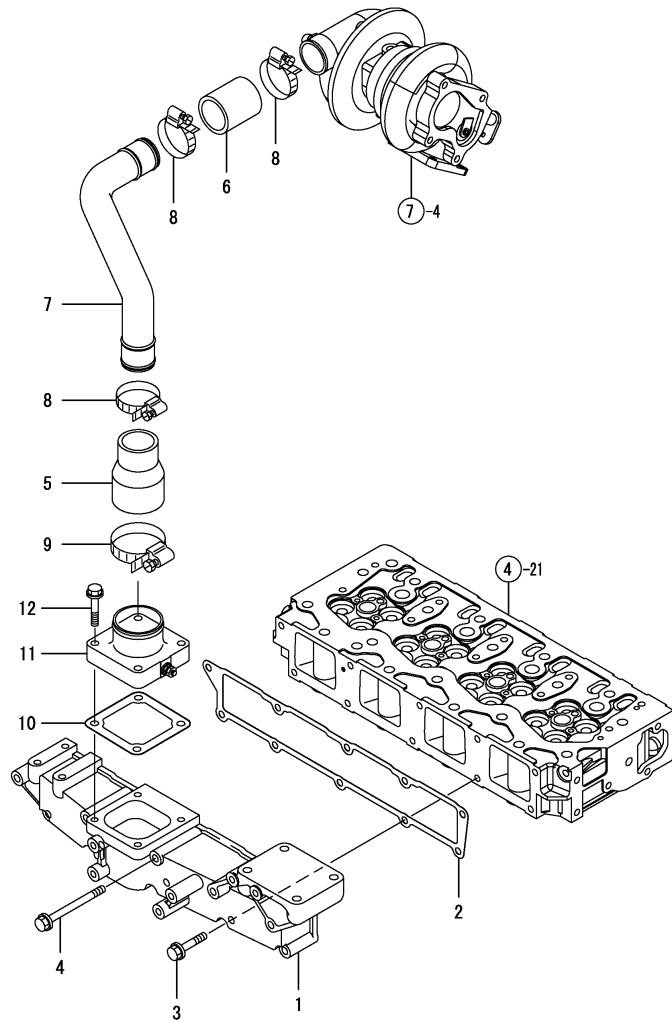
(F)=

REF.	LEV.	PARTS NO.	DESCRIPTION	QTY						I	R
				(A)	(B)	(C)	(D)	(E)	(F)		
63	2	129907-11920	PEDESTAL,RETAINER	4	4						
64	2	26226-080222	STUD,BOLT 8 X 22	2	2						
65	1	26106-080402	BOLT, 8 X 40	2	2						
66	1	26106-080602	BOLT, 8 X 60	4	4						
67	1	26106-080602	BOLT, 8 X 60	2	2						
68	1	26306-080002	NUT, 8	2	2						
69	1	124160-01751	COVER, FILLER	1	1						
70	1	129972-11321	BONNET(T/C,TRA ASSY	1	1						
71	2	129907-03011	PLATE, BAFFLE	1	1						
72	2	129907-03061	BAFFLE	1	1						
73	2	129907-03070	BAFFLE	1	1						
74	2	123908-03199	PLATE,BREATHER	1	1						
76	2	129933-11310	PACKING,BONNET	1	1						
77	2	129001-11340	PIPE, BREATHER	1	1						
78	2	22857-500100	SCREW, 5.0 X 10	6	6						
79	2	22857-500120	SCREW, 5.0 X 12	6	6						
80	2	23876-030000	PLUG, R03	1	1						
81	1	124160-11360	KNOB, BONNET	4	4						
82	1	24311-000120	PACKING, P 12.0	4	4						
83	1	24311-000320	PACKING, P 32.0	1	1						

Remarks

(1) REPAIR PART.
 (REMARKS)"EFFECTIVE MACHINE NO." OF
 ENGINE IS INDICATED ON THE
 ENGINE LABEL WHICH IS SHOWN
 IN FIG.4.

Fig.5. SUCTION MANIFOLD



0CNP4-G99200 5. SUCTION MANIFOLD

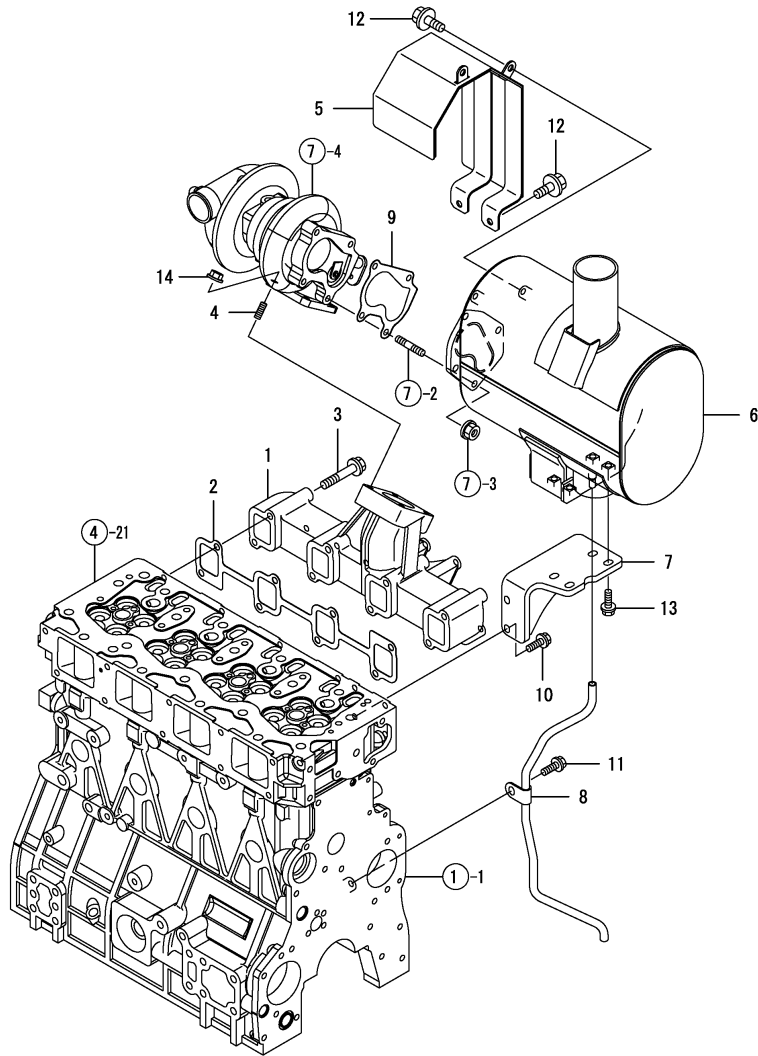
(A)=4TNV98T-RAQH
(B)=4TNV98T-RNQH
(C)=

(D)=
(E)=
(F)=

REF.	LEV.	PARTS NO.	DESCRIPTION	Q'TY						I	R
				(A)	(B)	(C)	(D)	(E)	(F)		
1	1	129906-12100	MANIFOLD(SUC	1	1						
2	1	129907-12110	PACKING(INT.MANIFOLD	1	1						
3	1	26106-080552	BOLT M 8X 55 PLATED	5	5						
4	1	26106-080852	BOLT M 8X 85 PLATED	5	5						
5	1	129972-18210	JOINT, RUBBER	1	1						
6	1	123951-18220	JOINT B	1	1						
7	1	129972-18250	DUCT, AIR	1	1						
8	1	23000-054000	CLAMP 54	3	3						
9	1	23000-070000	CLAMP 70	1	1						
10	1	121850-77021	GASKET, (NON-ASB.)	1	1						
11	1	129915-77051	HEATER, AIR	1	1						
12	1	26106-080352	BOLT M 8X 35 PLATED	4	4						

Remarks
(REMARKS)"EFFECTIVE MACHINE NO." OF
ENGINE IS INDICATED ON THE
ENGINE LABEL WHICH IS SHOWN
IN FIG.4.

Fig.6. EXHAUST MANIFOLD & SILENCER



0CNP4-G99200 6. EXHAUST MANIFOLD & SILENCER

(A)=4TNV98T-RAQH
 (B)=4TNV98T-RNQH
 (C)=

(D)=
 (E)=
 (F)=

REF.	LEV.	PARTS NO.	DESCRIPTION	QTY						I	R
				(A)	(B)	(C)	(D)	(E)	(F)		
1	1	129972-13100	MANIFOLD, EXHAUST	1	1						
2	1	129900-13251	GASKET	1	1						
3	1	123900-13630	BOLT 8X80	8	8						
4	1	129418-18320	STUD BOLT M8X20	4	4						
5	1	129972-13420	COVER, TURBOCHARGER	1	1						
6	1	129972-13501	SILENCER	1	1						
7	1	129972-13651	STAY, SILENCER	1	1						
8	1	129972-13951	PIPE, SILENCER DRAIN	1	1						
9	1	123901-18080	PK(T/C OUT	1	1						
10	1	26014-080222	BOLT M 8X 22	2	2						
11	1	26106-080102	BOLT M 8X 10 PLATED	1	1						
12	1	26106-080102	BOLT M 8X 10 PLATED	4	4						
13	1	26106-080252	BOLT M 8X 25 PLATED	4	4						
14	1	26306-080002	NUT	4	4						

Remarks
 (REMARKS)"EFFECTIVE MACHINE NO." OF
 ENGINE IS INDICATED ON THE
 ENGINE LABEL WHICH IS SHOWN
 IN FIG.4.

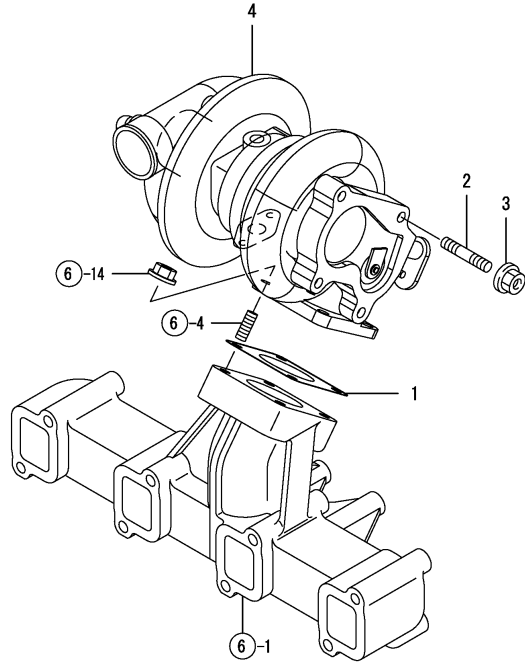
Fig.7. TURBINE

0CNP4-G99200 7. TURBINE

(A)=4TNV98T-RAQH
 (B)=4TNV98T-RNQH
 (C)=

(D)=
 (E)=
 (F)=

REF.	LEV.	PARTS NO.	DESCRIPTION	Q'TY						I	R
				(A)	(B)	(C)	(D)	(E)	(F)		
1	1	129472-18090	GASKET	1	1						
2	1	119131-18320	BOLT M 8X 22	4	4						
3	1	26306-080002	NUT	4	4						
4	1	129935-18010	TURBINE, RHF5	1	1						



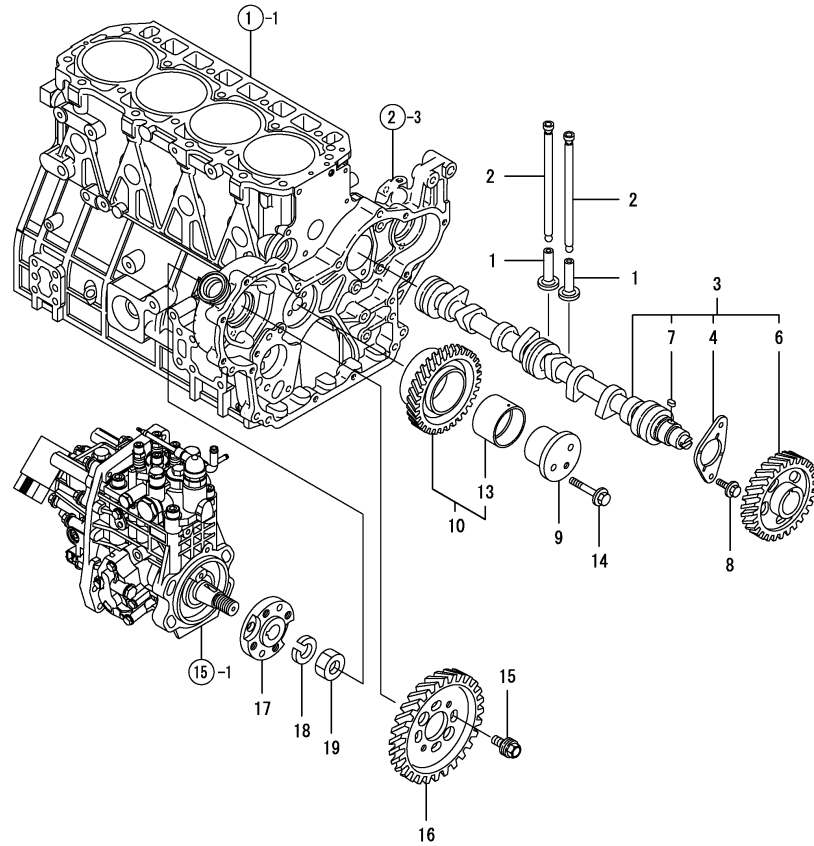
Remarks
 (REMARKS)"EFFECTIVE MACHINE NO." OF
 ENGINE IS INDICATED ON THE
 ENGINE LABEL WHICH IS SHOWN
 IN FIG.4.

Fig.8. CAMSHAFT & DRIVING GEAR

0CNP4-G99200 8. CAMSHAFT & DRIVING GEAR

(A)=4TNV98T-RAQH
 (B)=4TNV98T-RNQH
 (C)=

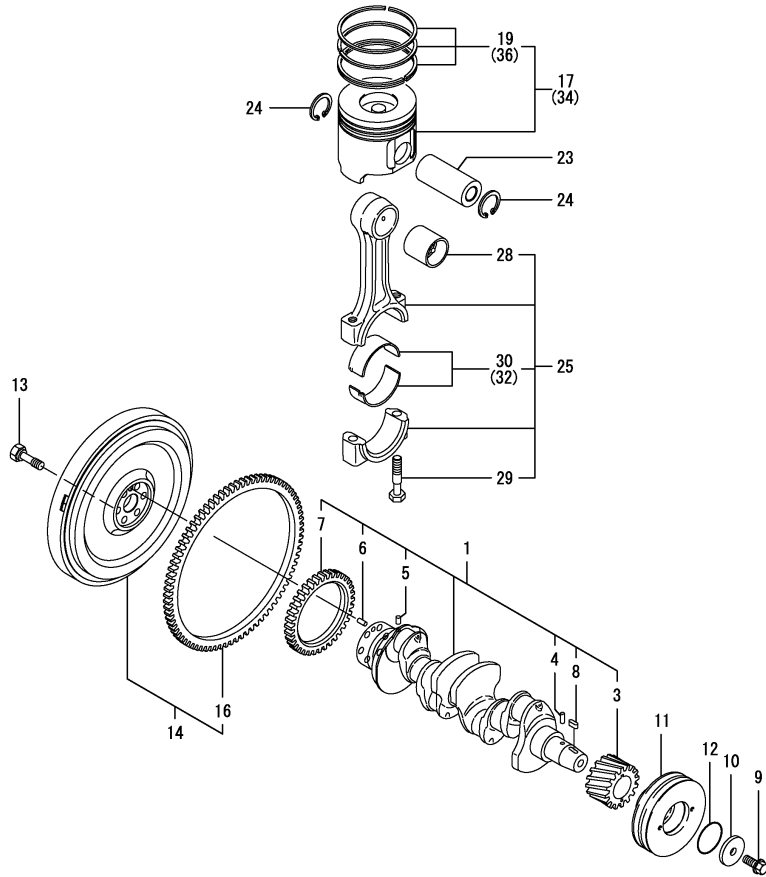
(D)=
 (E)=
 (F)=



REF.	LEV.	PARTS NO.	DESCRIPTION	QTY						I	R
				(A)	(B)	(C)	(D)	(E)	(F)		
1	1	129150-14200	TAPPET	8	8						
2	1	129907-14400	PUSH ROD	8	8						
3	1	129908-14581	CAMSHFT ASSY	1	1						
4	2	129150-02450	METAL,THRUST(CAM	1	1						
6	2	129900-14100	GEAR, CAMSHAFT	1	1						
7	2	22512-070140	KEY 7X 14	1	1						
8	1	26106-080162	BOLT M 8X 16 PLATED	2	2						
9	1	123900-25060	SHAFT(GEAR, IDLE	1	1						
10	1	129900-25100	GEAR ASSY, IDLE	1	1						
13	2	129150-25920	BUSH, IDLE GEAR	1	1						1
14	1	26106-080552	BOLT M 8X 55 PLATED	3	3						
15	1	129953-25300	BOLT	4	4						
16	1	129907-25900	GEAR,F.I.PUMP	1	1						
17	1	158563-51150	FLANGE	1	1						
18	1	22217-180000	SPRING WASHER 18	1	1						
19	1	26776-180002	NUT M18,LOCK	1	1						

Remarks
 (1) REPAIR PART.
 (REMARKS)"EFFECTIVE MACHINE NO." OF
 ENGINE IS INDICATED ON THE
 ENGINE LABEL WHICH IS SHOWN
 IN FIG.4.

Fig.9. CRANKSHAFT & PISTON



0CNP4-G99200 9. CRANKSHAFT & PISTON

(A)=4TNV98T-RAQH
(B)=4TNV98T-RNQH
(C)=

(D)=
(E)=
(F)=

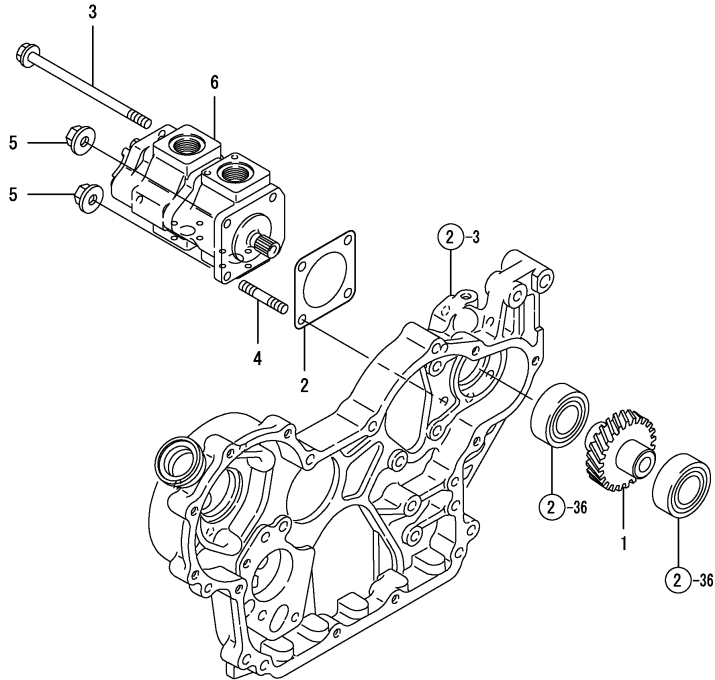
REF.	LEV.	PARTS NO.	DESCRIPTION	Q'TY						I	R
				(A)	(B)	(C)	(D)	(E)	(F)		
1	1	129956-21000	CRANKSHAFT ASSY	1	1						
3	2	129900-21200	GEAR, CRANKSHAFT	1	1						
4	2	121850-21290	PARALLEL PIN	1	1						
5	2	121850-21290	PARALLEL PIN	1	1						
6	2	121850-21920	PARALLEL PIN 10X22	1	1						
7	2	129956-28321	DRIVE GEAR,BALANCER	1	1						
8	2	22512-070140	KEY 7X 14	1	1						
9	1	129916-21610	BOLT, V-PULLEY	1	1						
10	1	129960-21640	WASHER	1	1						
11	1	129972-21660	V-PULLEY,CRANKSHAFT	1	1						
12	1	24341-000530	O-RING 1A S-53.0	1	1						
13	1	121850-21130	BOLT, FLYWHEEL	6	6						
14	1	129972-21580	FLYWHEEL ASSY	1	1						
16	2	129900-21600	GEAR, RING	1	1						
17	1	129908-22080	PISTON W/RING	4	4						
19	2	129907-22050	RING SET, PISTON	4	4						
23	1	120130-22301	PIN, PISTON	4	4						
24	1	22252-000300	CIRCLIP 30	8	8						
25	1	129900-23001	ROD ASSY, CONNECTING	4	4						
28	2	129900-23911	BUSH, PISTON PIN	4	4						1
29	2	129900-23200	BOLT, ROD	8	8						
30	2	129900-23601	METAL ASSY, CRANKPIN	4	4						
32	1	129900-23611	BEARING,PIN U.S=0.25	4	4						2
34	1	729908-22900	PISTON ASSY O.S=0.25	4	4						3
36	2	729907-22950	RING SET O.S=0.25	4	4						3

Remarks
 (1) REPAIR PART.
 (2) UNDER-SIZE(U.S=0.25)PART.
 (3) OVER-SIZE(O.S=0.25)PART.
 (REMARKS)"EFFECTIVE MACHINE NO." OF
 ENGINE IS INDICATED ON THE
 ENGINE LABEL WHICH IS SHOWN
 IN FIG.4.

Fig.10. HYDRAULIC PUMP

(A)=4TNV98T-RAQH
 (B)=4TNV98T-RNQH
 (C)=

(D)=
 (E)=
 (F)=



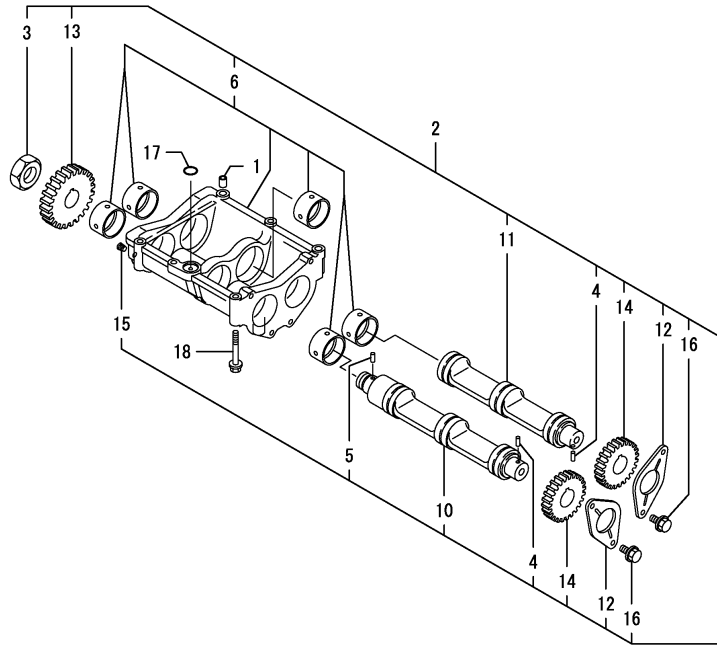
REF.	LEV.	PARTS NO.	DESCRIPTION	Q'TY						I	R
				(A)	(B)	(C)	(D)	(E)	(F)		
1	1	129956-26010	GEAR ASSY, HO-P	1	1						
2	1	124240-01883	GASKET, (NON-ASB.)	1	1						
3	1	129956-26220	BOLT	2	2						
4	1	26216-080202	STUD M 8X 20 PLATED	2	2						
4-1	1	121450-01560	STUD, M8X22	2	2						N
		(A="2009.06.) (B="2009.06.)									
5	1	26306-080002	NUT	2	2						
6	1	1A7450-41110	PUMP ASSY, HYDRAULIC	1	1						

Remarks
 (REMARKS)"EFFECTIVE MACHINE NO." OF
 ENGINE IS INDICATED ON THE
 ENGINE LABEL WHICH IS SHOWN
 IN FIG.4.

Fig.11. BALANCER

(A)=4TNV98T-RAQH
 (B)=4TNV98T-RNQH
 (C)=

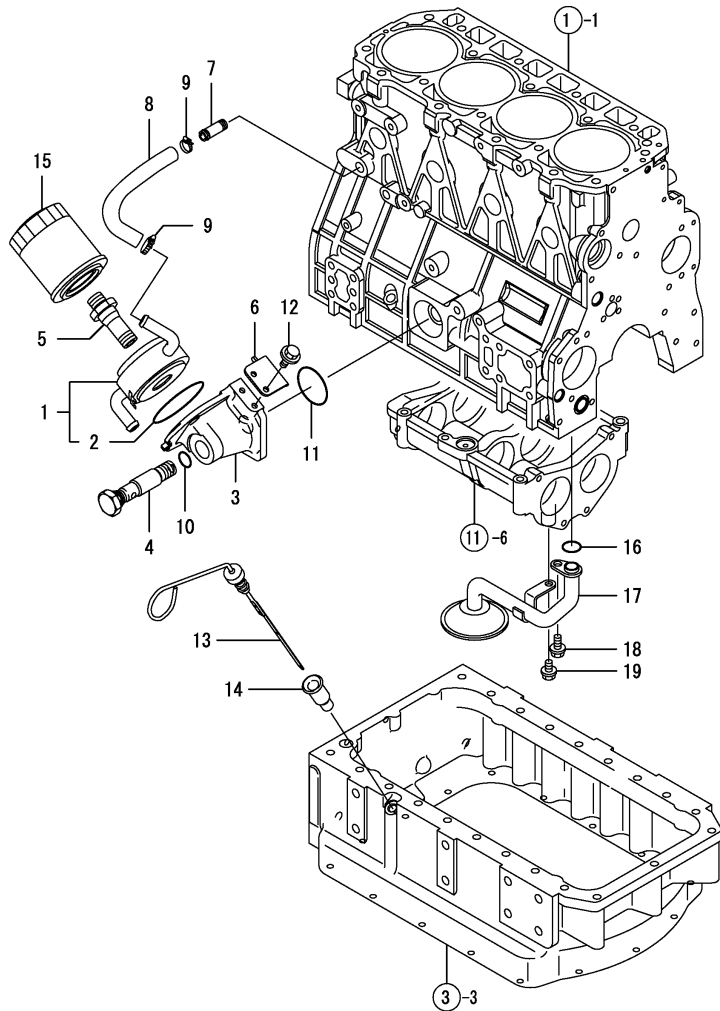
(D)=
 (E)=
 (F)=



REF.	LEV.	PARTS NO.	DESCRIPTION	Q'TY						I	R
				(A)	(B)	(C)	(D)	(E)	(F)		
1	1	129795-01960	PIPE, KNOCK	2	2						
2	1	129956-28009	BALANCER ASSY	1	1						
3	2	128610-14120	NUT	1	1						
4	2	121850-21290	PARALLEL PIN	2	2						
5	2	121850-21290	PARALLEL PIN	1	1						
6	2	129956-28019	CASE ASSY, BALANCER	1	1						
10	2	129956-28101	SHAFT(A), BALANCER	1	1						
11	2	129956-28111	SHAFT(B), BALANCER	1	1						
12	2	129956-28180	BEARING, THRUST	2	2						
13	2	129956-28332	DRIVEN GEAR,BALANCER	1	1						
14	2	129956-28341	GEAR, BALANCER	2	2						
15	2	23876-005000	PLUG PT 1/16,SCREW	1	1						
16	2	26106-080162	BOLT M 8X 16 PLATED	4	4						
17	1	24311-000200	O-RING 1A P-20.0	1	1						
18	1	26106-080602	BOLT M 8X 60 PLATED	6	6						

Remarks
 (REMARKS)"EFFECTIVE MACHINE NO." OF
 ENGINE IS INDICATED ON THE
 ENGINE LABEL WHICH IS SHOWN
 IN FIG.4.

Fig.12. LUB.OIL SYSTEM



(A)=4TNV98T-RAQH
 (B)=4TNV98T-RNQH
 (C)=

(D)=
 (E)=
 (F)=

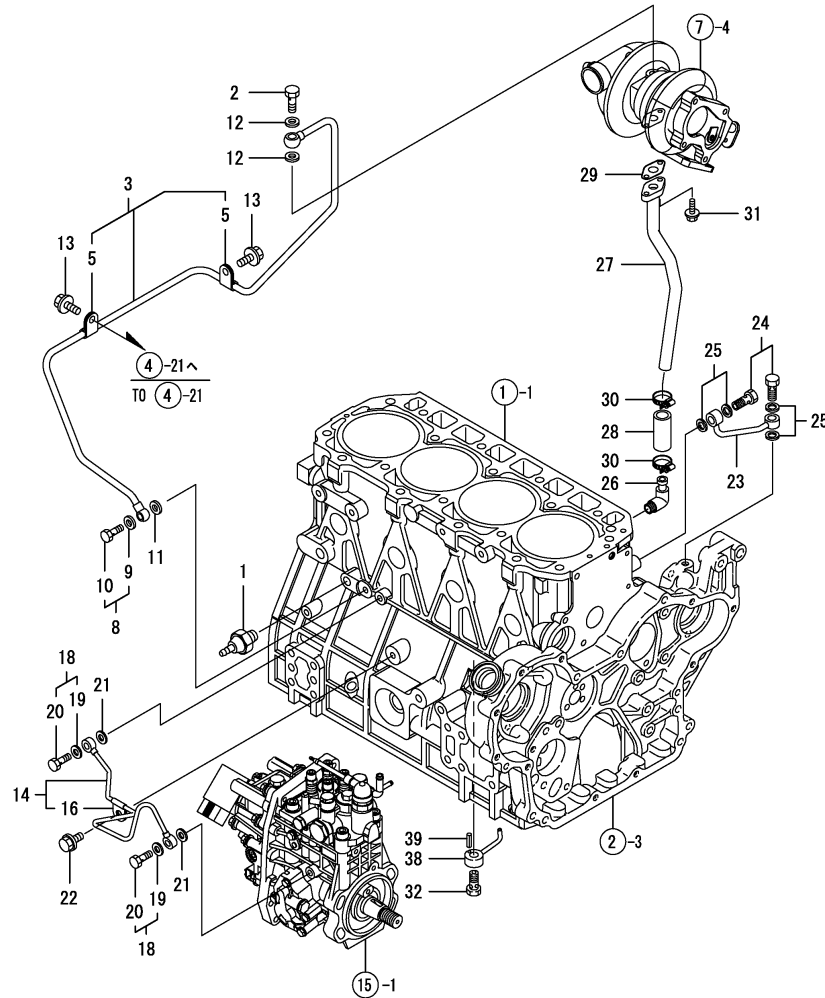
REF.	LEV.	PARTS NO.	DESCRIPTION	QTY						I	R
				(A)	(B)	(C)	(D)	(E)	(F)		
1	1	129956-33011	COOLER ASSY, L.O.	1	1						
2	2	129957-33050	O-RING	1	1						
3	1	129956-33101	BRACKET	1	1						
4	1	129956-33110	BOLT,L.O.COOLER	1	1						
5	1	129956-33120	BOLT,L.O.COOLER	1	1						
6	1	129972-33140	RESTRICTION	1	1						
7	1	129122-44480	JOINT	1	1						
8	1	129956-49172	PIPE, COOLING WATER	1	1						
9	1	23000-022000	CLAMP 22	2	2						
10	1	24314-000200	O-RING 4C P-20.0	1	1						
11	1	24321-000600	O-RING 1A G-60.0	1	1						
12	1	26106-060142	BOLT M 6X 14 PLATED	2	2						
13	1	129972-34800	DIPSTICK, LUB.OIL	1	1						
14	1	119860-34810	GUIDE, DIPSTICK	1	1						
15	1	119005-35151	FILTER, LUB.OIL	1	1						1
16	1	129900-32030	O-RING P20	1	1						
17	1	129956-35000	PIPE ASSY, LUB. OIL	1	1						
18	1	26106-080142	BOLT 8X 14 PLATED	1	1						
19	1	26106-080202	BOLT M 8X 20 PLATED	1	1						

Remarks
 (1) REPAIR PART.

Fig.13. LUB.OIL LINE

(A)=4TNV98T-RAQH
(B)=4TNV98T-RNQH
(C)=

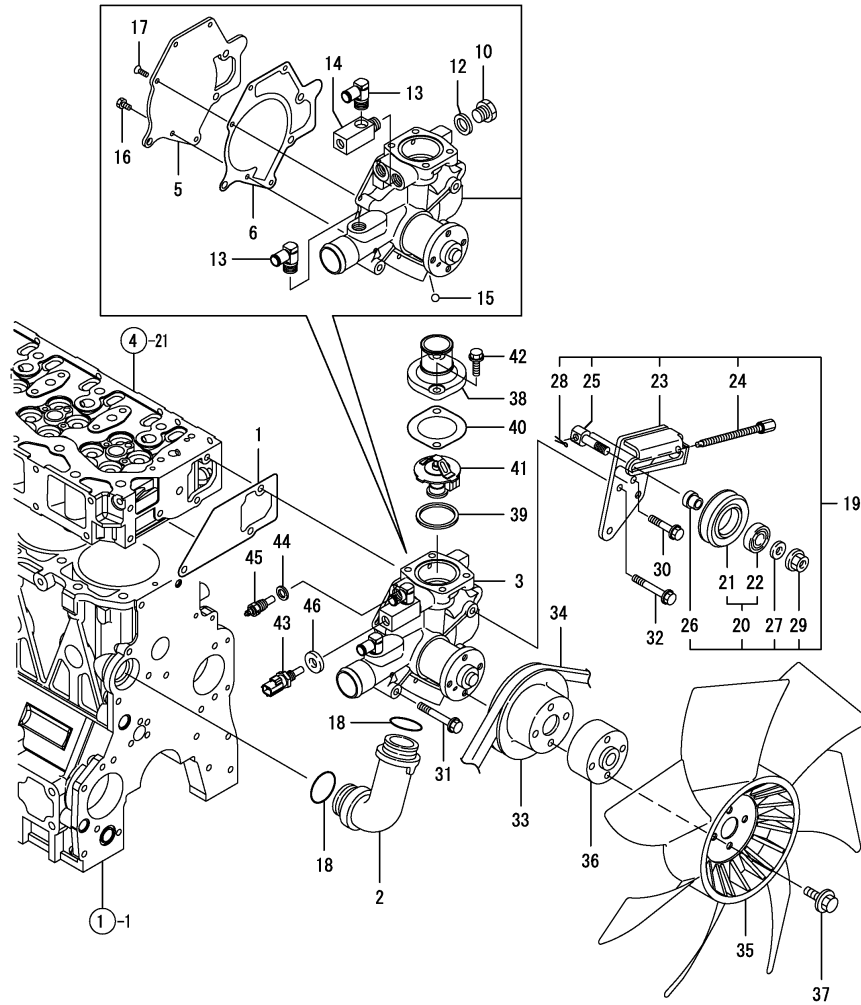
(D)=
(E)=
(F)=



REF.	LEV.	PARTS NO.	DESCRIPTION	QTY						I	R
				(A)	(B)	(C)	(D)	(E)	(F)		
1	1	114250-39450	SWITCH,(0.5KG)L.O.	1	1						
2	1	121252-39150	BOLT, PIPE JOINT	1	1						
3	1	129972-39450	PIPE ASSY,LUB OIL	1	1						
5	2	124223-39900	RETAINER	2	2						
8	1	129005-59830	BOLT ASSY, JOINT	1	1						
9	2	22190-080002	SEAL WASHER 8S	1	1						
10	2	23857-030000	JOINT BOLT 3	1	1						
11	1	22190-080002	SEAL WASHER 8S	1	1						
12	1	23414-100000	GASKET 10, ROUND	2	2						
13	1	26106-080122	BOLT M 8X 12 PLATED	2	2						
14	1	129963-39060	PIPE ASSY, LUB. OIL	1	1						
16	2	123907-39500	SUPPORT,PIPE	1	1						
18	1	129005-59830	BOLT ASSY, JOINT	2	2						
19	2	22190-080002	SEAL WASHER 8S	2	2						
20	2	23857-030000	JOINT BOLT 3	2	2						
21	1	22190-080002	SEAL WASHER 8S	2	2						
22	1	26106-080122	BOLT M 8X 12 PLATED	1	1						
23	1	129930-39050	PIPE	1	1						
24	1	105010-39140	BOLT, PIPE JOINT	2	2						
25	1	22190-080002	SEAL WASHER 8S	4	4						
26	1	124070-13300	ELBOW (PT3/8)	1	1						
27	1	129972-39610	PIPE,LUB.OIL	1	1						
28	1	123957-39671	JOINT, PIPE	1	1						
29	1	129908-39690	GASKET,LO-T RETURN	1	1						
30	1	23000-025000	CLAMP 25	2	2						
31	1	26106-060162	BOLT M 6X 16 PLATED	2	2						
32	1	129908-39410	VALVE ASSY, CHECK	4	4						
38	1	119000-39650	NOZZLE, PISTON JET	4	4						
39	1	22351-030010	SPRING PIN 3X10	4	4						

Remarks
(REMARKS)"EFFECTIVE MACHINE NO." OF
ENGINE IS INDICATED ON THE
ENGINE LABEL WHICH IS SHOWN
IN FIG.4.

Fig.14. COOLING WATER SYSTEM



OCNP4-G99200 14. COOLING WATER SYSTEM

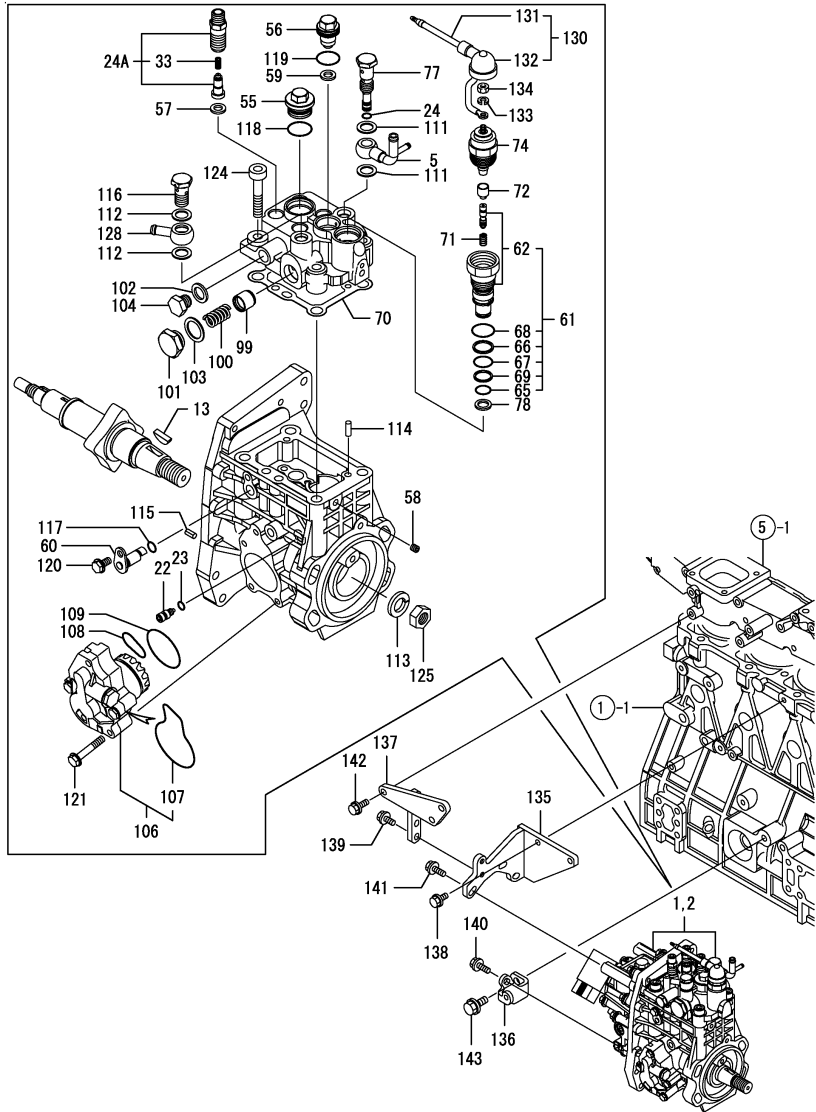
(A)=4TNV98T-RAQH
(B)=4TNV98T-RNQH
(C)=

(D)=
(E)=
(F)=

REF.	LEV.	PARTS NO.	DESCRIPTION	QTY						I	R
				(A)	(B)	(C)	(D)	(E)	(F)		
1	1	129900-42061	GASKET, C.W.PUMP	1	1						
2	1	129900-42070	PIPE, C.WATER PUMP	1	1						
3	1	129972-42100	PUMP ASSY, WATER	1	1						
5	2	129900-42161	COVER	1	1						
6	2	129900-42170	GASKET	1	1						
10	2	121450-42450	PLUG M16	1	1						
12	2	124465-44950	GASKET 16	1	1						
13	2	119852-49300	ELBOW R3/8	2	2						
14	2	129972-49350	JOINT, WATER SENSOR	1	1						
15	2	24190-080001	BALL 1/4, STEEL	1	1						
16	2	26116-060162	BOLT 6X16	2	2						
17	2	26577-060142	SCREW M 6X 14	3	3						
18	1	129900-42140	O-RING P36	2	2						
19	1	129972-96951	TENSION DEVICE	1	1						
20	2	129457-96200	PULLEY ASSY, TENSION	1	1						
21	3	129457-96230	PULLEY, TENSION	1	1						
22	3	24104-062024	BALL BEARING	1	1						
23	2	129972-96961	BLACKET, TENSION	1	1						
24	2	129972-96971	ADJUST SCREW	1	1						
25	2	129972-96980	BOLT, TENSION PULLY	1	1						
26	2	129054-96990	SPACER.TENSION	1	1						
27	2	22137-100000	WASHER 10,POLISHED	1	1						
28	2	22411-160120	COTTER PIN 1.6X12	1	1						
29	2	26306-100002	NUT	1	1						
30	1	26106-080402	BOLT M 8X 40 PLATED	1	1						
31	1	26106-080552	BOLT M 8X 55 PLATED	1	1						
32	1	26106-080602	BOLT M 8X 60 PLATED	2	2						
33	1	129900-42461	PULLEY	1	1						
34	1	129972-42280	V-BELT, A47.0	1	1						
35	1	129907-44740	FAN,COOLING 430X7	1	1						
36	1	119005-44761	SPACER	1	1						
37	1	26106-080452	BOLT M 8X 45 PLATED	4	4						
38	1	129981-49531	COVER, THERMOSTAT	1	1						
39	1	121850-49550	GASKET, THERMOSTAT	1	1						
40	1	129900-49560	GASKET, (NON-ASB.)	1	1						
41	1	121850-49800	THERMOSTAT	1	1						
42	1	26106-080252	BOLT M 8X 25 PLATED	2	2						
43	1	119254-44910	THERMOMETER	1	1						
44	1	129150-49360	GASKET 10	1	1						
45	1	129242-49450	SENSOR,C.W.	1	1						
46	1	22190-120002	SEAL WASHER 12	1	1						

Remarks
(REMARKS)"EFFECTIVE MACHINE NO." OF
ENGINE IS INDICATED ON THE
ENGINE LABEL WHICH IS SHOWN
IN FIG.4.

Fig.15. FUEL INJECTION PUMP



Remarks
 (1) GOVERNOR ASSY(FIG.16) IS INCORPORATED IN THIS FOP.CMP (REF.NO.1,2).
 (REMARKS)"EFFECTIVE MACHINE NO." OF ENGINE IS INDICATED ON THE ENGINE LABEL WHICH IS SHOWN IN FIG.4.

(A)=4TNV98T-RAQH
 (B)=4TNV98T-RNQH
 (C)=

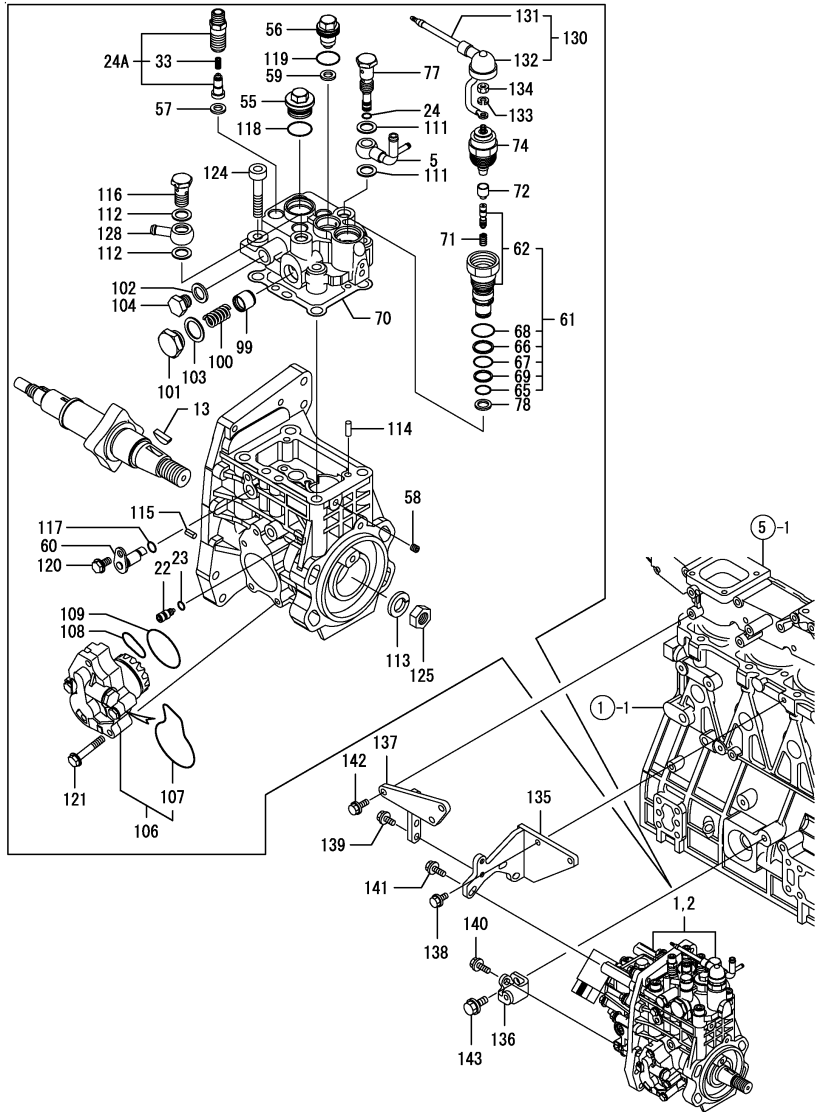
(D)=
 (E)=
 (F)=

REF.	LEV.	PARTS NO.	DESCRIPTION	QTY						I	R
				(A)	(B)	(C)	(D)	(E)	(F)		
1	1	729972-51320	INJECTION PUMP ASSY	1							1
2	1	729972-51310	INJECTON PUMP ASSY		1						1
5	2	158552-51670	JOINT	1	1						
13	2	144626-51090	KEY 5X19	1	1						
22	2	158600-51270	STOPPER	1	1						
23	2	158563-51281	O-RING	1	1						
24	2	158563-51281	O-RING	1	1						
24A	2	129509-51390	SETTING, DELIVERY	4	4						W
(A="2008.04.) (B="2008.04.)											
33	3	158563-51330	SPRING	4	4						
55	2	158601-51550	PLUG	1	1						
56	2	129907-51560	PLUG	1	1						
57	2	158552-51570	PK(BARREL PLUG	4	4						
58	2	158557-51570	PLUG	1	1						
59	2	129906-51580	PACKING, PLUG	1	1						
60	2	158552-51580	LIFTER	1	1						
61	2	129657-51590	TIMER SET	1	1						
62	3	129657-51600	TIMER CMP	1	1						
65	3	158553-51670	O-RING, 1011	1	1						
66	3	119802-51680	BACKUP RING	1	1						
67	3	119802-51690	O RING	1	1						
68	3	24356-010200	PACKING, 1020	1	1						
69	3	24372-000150	RING, BACKUP T2 P 15	1	1						
70	2	158560-51600	PACKING, HEAD	1	1						
71	2	119852-51630	SPRING,TIMER	1	1						
72	2	119852-51640	CAP,TIMER	1	1						
74	2	119852-51650	VALVE,SOLENOIDE	1	1						
77	2	158601-51650	JOINT	1	1						
78	2	158553-51680	PACKING,TIMER	1	1						
99	2	158601-51770	PISTON	1	1						
100	2	158552-51781	DAMPER ASSY	1	1						
101	2	158601-51790	PLUG	1	1						
102	2	22190-120002	SEAL WASHER 12	1	1						
103	2	22190-180002	SEAL WASHER 18	1	1						
104	2	23887-120002	PLUG M12,HEX.	1	1						
106	2	158552-52100	PUMP ASSY,FEED	1	1						
107	3	158552-52500	O-RING(FEED P INNER	1	1						
108	2	158552-52310	O-RING	1	1						
109	2	158552-52400	O-RING 4E S42	1	1						
111	2	22190-120002	SEAL WASHER 12	2	2						
112	2	22190-120002	SEAL WASHER 12	2	2						
113	2	22217-180000	SPRING WASHER 18	1	1						
114	2	22312-050140	PARALLEL PIN 5X14	2	2						
115	2	22351-050010	SPRING PIN 5X10	2	2						
116	2	23857-060000	JOINT BOLT 6,PIPE	1	1						
117	2	24311-000070	O-RING 1A P-7.0	1	1						
118	2	24356-010200	PACKING, 1020	1	1						
119	2	24356-020210	O RING	1	1						
120	2	26106-060102	BOLT 6X 10 PLATED	1	1						
121	2	26106-060352	BOLT M 6X 35 PLATED	4	4						
124	2	26450-100452	BOLT M10X 45	4	4						

Fig.15. FUEL INJECTION PUMP

(A)=4TNV98T-RAQH
 (B)=4TNV98T-RNQH
 (C)=

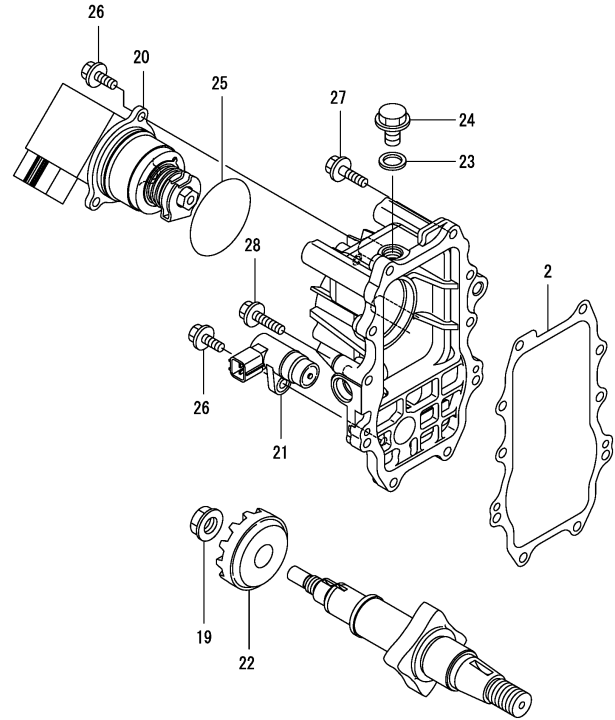
(D)=
 (E)=
 (F)=



REF.	LEV.	PARTS NO.	DESCRIPTION	QTY						I	R
				(A)	(B)	(C)	(D)	(E)	(F)		
125	2	26776-180002	NUT M18,LOCK	1	1						
128	2	129916-59020	JOINT 12, PIPE	1	1						
130	2	129263-77951	WIRE HARNESS ASSY	1	1						
131	3	129263-77930	HARNESS,(CSD	1	1						
132	3	129263-77941	CAP,RUBBER	1	1						
133	2	22217-050000	SPRING WASHER 5	1	1						
134	2	26716-050002	NUT M 5	1	1						
135	1	129974-01950	RETAINER,MP4	1	1						
136	1	129906-01960	RETAINER,MP4	1	1						
137	1	129974-01970	SUPPORT,MP4	1	1						
138	1	26106-080202	BOLT, 8 X 20	2	2						
139	1	26106-080202	BOLT, 8 X 20	2	2						
140	1	26106-080222	BOLT, 8 X 22	1	1						
141	1	26106-080252	BOLT, 8 X 25	3	3						
142	1	26106-080252	BOLT, 8 X 25	3	3						
143	1	26106-100202	BOLT, 10 X 20	1	1						

Remarks
 (1) GOVERNOR ASSY(FIG.16) IS INCORPORATED IN THIS FOP.CMP (REF.NO.1,2).
 (REMARKS)"EFFECTIVE MACHINE NO." OF ENGINE IS INDICATED ON THE ENGINE LABEL WHICH IS SHOWN IN FIG.4.

Fig.16. GOVERNOR



(A)=4TNV98T-RAQH
(B)=4TNV98T-RNQH
(C)=

(D)=
(E)=
(F)=

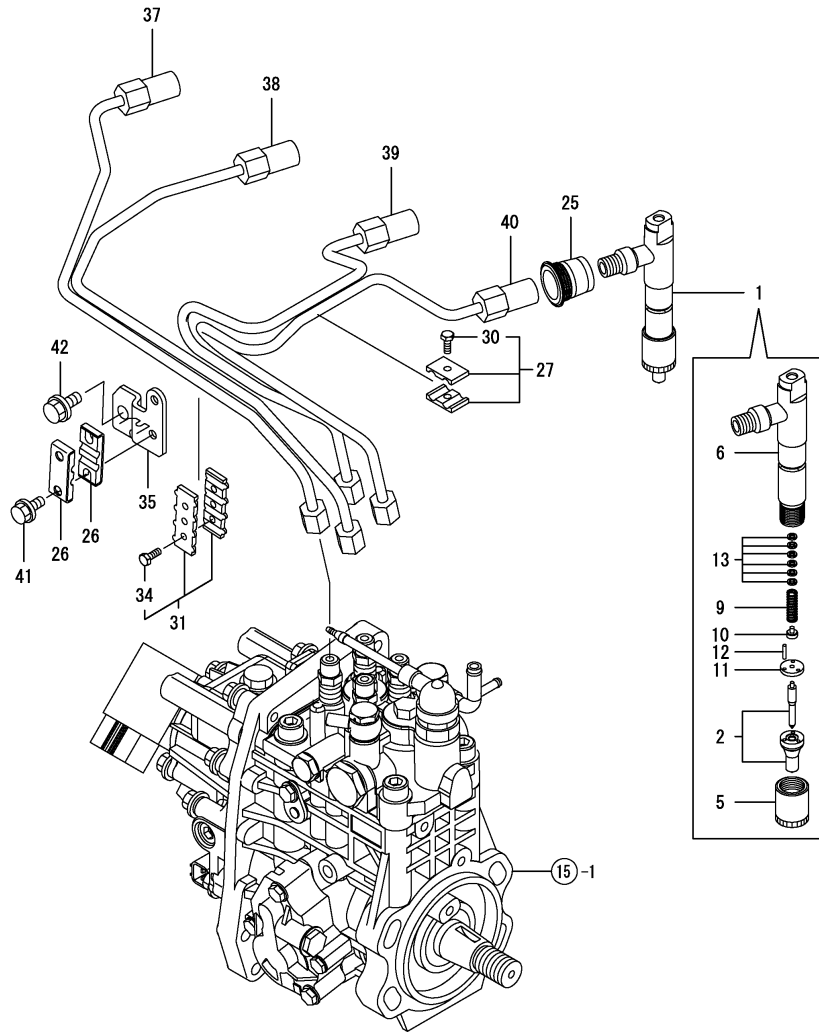
REF.	LEV.	PARTS NO.	DESCRIPTION	QTY						I	R
				(A)	(B)	(C)	(D)	(E)	(F)		
2	2	158560-61050	PACKING, CASE	1	1						
19	2	129008-61301	NUT	1	1						
20	2	158557-61600	ACTUATOR	1	1						
21	2	158557-61720	SENSOR	1	1						
22	2	158553-61780	GEAR,SENSOR	1	1						
23	2	23414-120000	GASKET 12, ROUND	1	1						
24	2	23887-120002	PLUG M12,HEX.	1	1						
25	2	24341-000480	O-RING 1A S-48.0	1	1						
26	2	26106-060162	BOLT M 6X 16 PLATED	4	4						
27	2	26106-060252	BOLT M 6X 25 PLATED	9	9						
28	2	26106-060402	BOLT M 6X 40 PLATED	1	1						

Remarks
 * THIS FIGURE(GOVERNOR ASSY)IS
 INCORPORATED IN THE FUEL INJECTION
 PUMP ASSY(FIG.15).
 (REMARKS)"EFFECTIVE MACHINE NO." OF
 ENGINE IS INDICATED ON THE
 ENGINE LABEL WHICH IS SHOW
 IN FIG.4.

Fig.17. FUEL INJECTION VALVE

(A)=4TNV98T-RAQH
 (B)=4TNV98T-RNQH
 (C)=

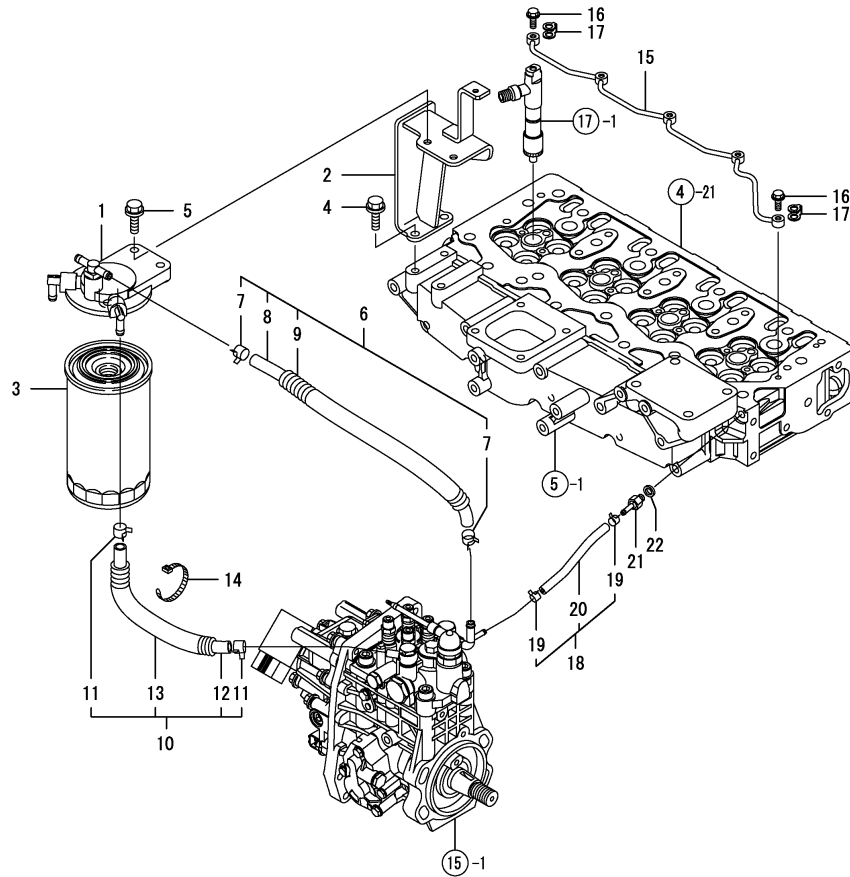
(D)=
 (E)=
 (F)=



REF.	LEV.	PARTS NO.	DESCRIPTION	QTY						I	R
				(A)	(B)	(C)	(D)	(E)	(F)		
1	1	729908-53100	FUEL INJECTOR VBR	4	4						
2	2	129908-53000	NOZZLE ASSY	4	4						
5	2	114250-53080	NUT, NOZZLE CASE	4	4						
6	2	129907-53100	HOLDER ASSY, NOZZLE	4	4						
9	2	114250-53120	SPRING, NOZZLE	4	4						
10	2	114250-53130	SEAT, NOZZLE SPRING	4	4						
11	2	114250-53140	PLATE, STOP	4	4						
12	2	114250-53210	PIN	8	8						
13	2	114250-53400	SHIM PACK	4	4						
25	1	123907-11601	PIPE SEAL	4	4						
26	1	122780-59100	RETAINER	2	2						
27	1	119305-59120	RETAINER	1	1						
30	2	129150-59131	BOLT M4X14,HEX.SCKT.	1	1						
31	1	129550-59120	RETAINER	1	1						
34	2	129150-59131	BOLT M4X14,HEX.SCKT.	2	2						
35	1	129972-59710	PIPE ASSY, INJECTION	1	1						
37	1	129908-59810	PIPE ASSY, INJECTION	1	1						
38	1	129908-59820	PIPE ASSY, INJECTION	1	1						
39	1	129908-59830	PIPE ASSY, INJECTION	1	1						
40	1	129908-59840	PIPE ASSY, INJECTION	1	1						
41	1	26106-060162	BOLT M 6X 16 PLATED	2	2						
42	1	26106-080182	BOLT M 8X 18 PLATED	1	1						

Remarks
 (REMARKS)"EFFECTIVE MACHINE NO." OF
 ENGINE IS INDICATED ON THE
 ENGINE LABEL WHICH IS SHOWN
 IN FIG.4.

Fig.18. FUEL LINE



(A)=4T9V98T-RAQH

(B)=4T9V98T-RNQH

(C)=

(D)=

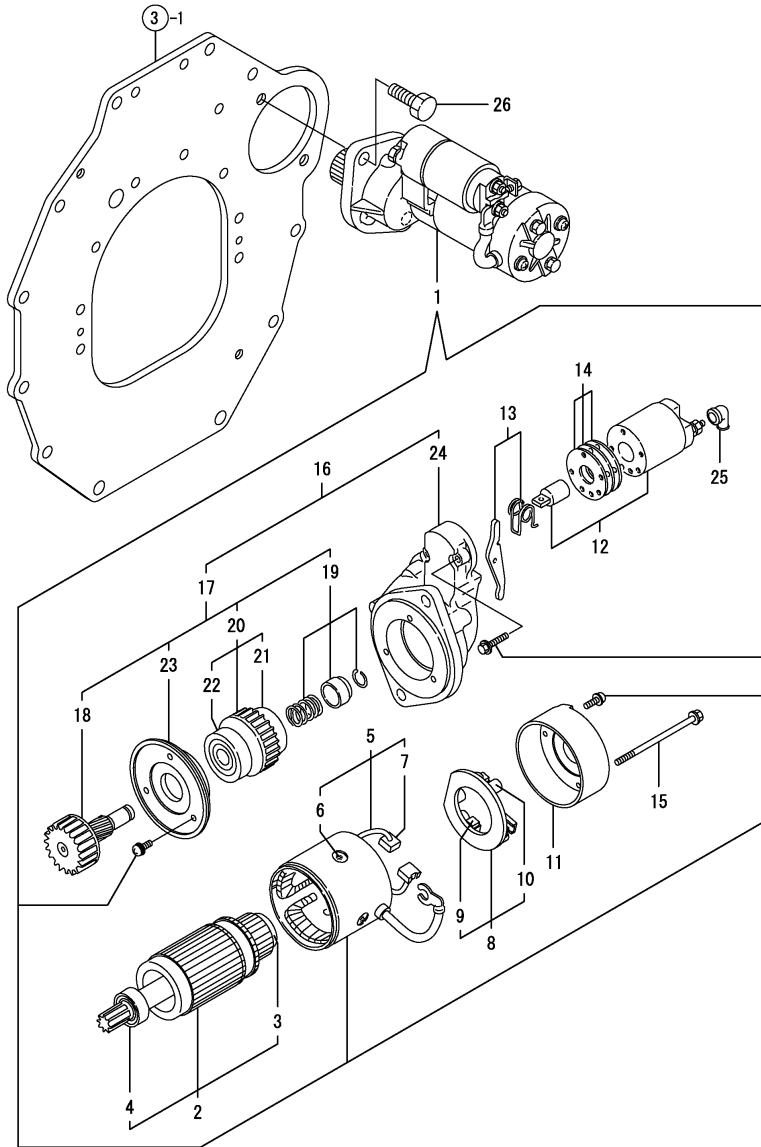
(E)=

(F)=

REF.	LEV.	PARTS NO.	DESCRIPTION	QTY						I	R
				(A)	(B)	(C)	(D)	(E)	(F)		
1	1	119934-55610	BRACKET, FILTER	1	1						
1-1	1	119934-55611	BRACKET, FILTER	1	1						N
		(A=E66643) (B=E66584)									
2	1	129972-55620	STAY,F.O.FILTER	1	1						
3	1	123907-55801	FILTER, FUEL OIL	1	1						
4	1	26106-080202	BOLT M 8X 20 PLATED	2	2						
5	1	26106-080302	BOLT M 8X 30 PLATED	2	2						
6	1	129467-59010	PIPE ASSY, FUEL	1	1						
7	2	124766-59050	CLAMP 12	2	2						
8	2	129335-59090	PIPE,FUEL (D13XL500)	1	1						
9	2	119560-59110	PROTECTOR, FUEL PIPE	1	1						
10	1	129972-59010	PIPE ASSY, FUEL OIL	1	1						
11	2	124766-59050	CLAMP 12	2	2						
12	2	129972-59090	PIPE, FUEL D13XL420	1	1						
13	2	129950-59221	TUBE	1	1						
14	1	121750-59890	CLAMP 140	1	1						
15	1	129907-59140	PIPE ASSY,F.O.RETURN	1	1						
16	1	123907-59540	JOINT BOLT M6	5	5						
17	1	123907-59550	PACKING,FUEL RETURN	5	5						
18	1	129486-59551	PIPE, FUEL RETURN	1	1						
19	2	124722-59050	CLAMP 9	2	2						
20	2	129486-59510	PIPE, FUEL RETURN	1	1						
21	1	123907-59560	HOSE JOINT 4	1	1						
22	1	22190-080002	SEAL WASHER 8S	1	1						

Remarks
 (REMARKS)"EFFECTIVE MACHINE NO." OF
 ENGINE IS INDICATED ON THE
 ENGINE LABEL WHICH IS SHOWN
 IN FIG.4.

Fig.19. STARTING MOTOR



(A)=4TNV98T-RAQH
 (B)=4TNV98T-RNQH
 (C)=

(D)=
 (E)=
 (F)=

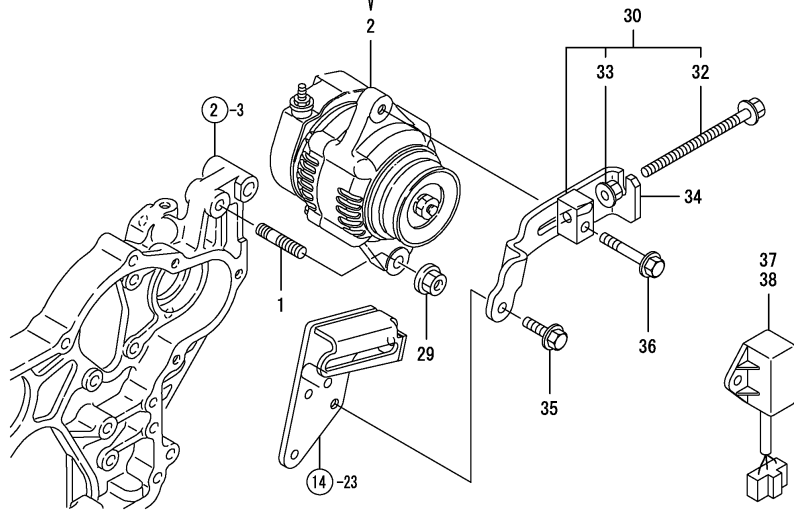
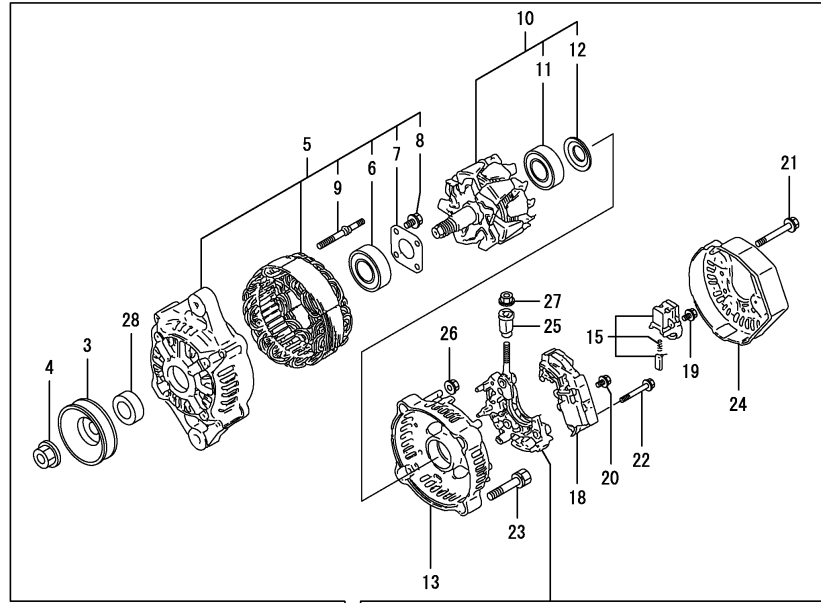
REF.	LEV.	PARTS NO.	DESCRIPTION	QTY						I	R
				(A)	(B)	(C)	(D)	(E)	(F)		
1	1	129900-77010	STARTER(2.3KW	1	1						
2	2	129900-77400	ARMATURE ASSY	1	1						
3	3	X2114155110	BALL BEARING	1	1						
4	3	X2114255110	BALL BEARING	1	1						
5	2	129900-77440	COIL ASSY, FIELD	1	1						
6	3	171008-77450	SCREW, POLE CORE SET	4	4						
7	3	129900-77450	BRUSH (+)	2	2						
8	2	129900-77480	HOLDER ASSY, BRASH	1	1						
9	3	129900-77450	BRUSH (+)	2	2						
10	3	X2130631300	BRUSH SPRING	4	4						
11	2	129900-77460	COVER, REAR	1	1						
12	2	129900-77591	SWITCH ASSY,MAGNETIC	1	1						
13	2	129900-77620	SHIFT LEVER SET	1	1						
14	2	129900-77650	COVER ASSY, DUST	1	1						
15	2	129900-77640	BOLT, THROUGH	2	2						
16	2	129900-77700	GEAR CASE ASY	1	1						
17	3	129900-77510	PINION ASSY	1	1						
18	4	129900-77540	SHAFT, PINION	1	1						
19	4	129900-77550	STOPPER SET	1	1						
20	4	129900-77520	CLUTCH ASSY	1	1						
21	4	171008-77730	BALL BEARING (3)	1	1						
22	4	171008-77740	BALL BEARING (4)	1	1						
23	4	129900-77610	RETAINER, BEARING	1	1						
24	3	129900-77710	HOUSING, GEARS	1	1						
25	2	171008-77750	COVER, M TERMINAL	1	1						
26	1	26116-120252	BOLT M12X 25 PLATED	2	2						

Remarks
 (REMARKS)"EFFECTIVE MACHINE NO." OF
 ENGINE IS INDICATED ON THE
 ENGINE LABEL WHICH IS SHOWN
 IN FIG.4.

Fig.20. GENERATOR

(A)=4TNV98T-RAQH
 (B)=4TNV98T-RNQH
 (C)=

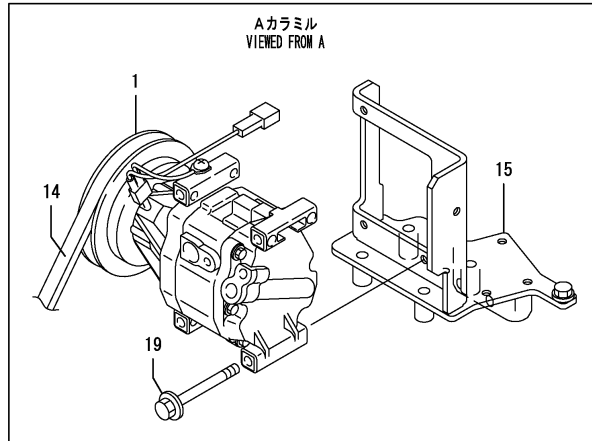
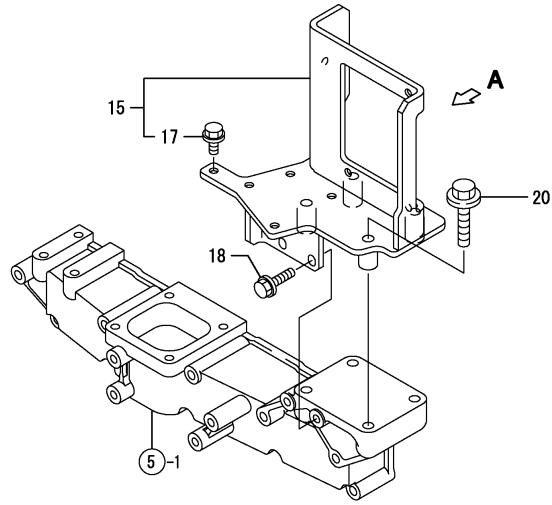
(D)=
 (E)=
 (F)=



REF.	LEV.	PARTS NO.	DESCRIPTION	QTY						I	R
				(A)	(B)	(C)	(D)	(E)	(F)		
1	1	129795-01900	STUD	1	1						
2	1	129961-77200	GENERATOR	1	1						
3	2	119620-77461	PULLEY	1	1						
4	2	119620-77471	NUT	1	1						
5	2	129961-77421	FRAME ASSY	1	1						
6	3	119620-79200	BALL BEARING	1	1						
7	3	119620-79210	PLATE	1	1						
8	3	119620-79220	SCREW	4	4						
9	3	119620-79230	BOLT, STUD	2	2						
10	2	129052-77380	ROTATOR ASSY	1	1						
11	3	123501-79240	BEARING, BALL	1	1						
12	3	119620-79250	COVER, BEARING	1	1						
13	2	128401-77440	FLAME	1	1						
15	2	129052-79270	HOLDER, BRUSH	1	1						
18	2	119620-77710	REGULATOR ASSY	1	1						
19	2	119620-79290	SCREW	6	6						
20	2	119620-79300	SCREW	1	1						
21	2	119620-79310	BOLT	3	3						
22	2	119620-79320	SCREW W/WASHER	2	2						
23	2	119620-79330	BOLT	2	2						
24	2	128401-77450	COVER	1	1						
25	2	119620-79340	INSULATION BUSH	1	1						
26	2	119620-79350	NUT	2	2						
27	2	X9490561001	NUT	1	1						
28	2	119620-77490	COLLAR	1	1						
29	1	26306-100002	NUT	1	1						
30	1	119624-77351	BROCK,GENERATOR CMP	1	1						
32	2	26106-081004	BOLT 8*100	1	1						
33	2	26306-080002	NUT	1	1						
34	1	129972-77370	ADJUSTER, BELT	1	1						
35	1	26014-080252	BOLT M 8X 25	1	1						
36	1	26106-080452	BOLT M 8X 45 PLATED	1	1						
37	1	185109-00070	CHANGER,ENG.SERIES	1							
38	1	185109-00080	CHANGER,ENG.SERIES		1						

Remarks
 (REMARKS)"EFFECTIVE MACHINE NO." OF
 ENGINE IS INDICATED ON THE
 ENGINE LABEL WHICH IS SHOWN
 IN FIG.4.

Fig.21. COMPRESSOR MOUNTING



0CNP4-G99200 21. COMPRESSOR MOUNTING

(A)=4TNV98T-RAQH
(B)=4TNV98T-RNQH
(C)=

(D)=
(E)=
(F)=

REF.	LEV.	PARTS NO.	DESCRIPTION	Q'TY						I	R
				(A)	(B)	(C)	(D)	(E)	(F)		
1	1	1A7320-87902	COMPRESSOR ASSY,	1	1						
14	1	129972-96150	V-BELT A60.0MP	1	1						
15	1	129972-96901	STAY CMP, COMPRESSOR	1	1						
17	2	26106-080122	BOLT M 8X 12 PLATED	1	1						
18	1	26106-080222	BOLT M 8X 22 PLATED	2	2						
19	1	26106-080702	BOLT M 8X 70 PLATED	3	3						
20	1	26106-100452	BOLT M10X 45 PLATED	4	4						

Remarks
(REMARKS)"EFFECTIVE MACHINE NO." OF
ENGINE IS INDICATED ON THE
ENGINE LABEL WHICH IS SHOWN
IN FIG.4.

Fig.22. SHORT BLOCK

(A)=4TNV98T-RAQH
(B)=4TNV98T-RNQH
(C)=

(D)=
(E)=
(F)=

REF.	LEV.	PARTS NO.	DESCRIPTION	Q'TY						I	R
				(A)	(B)	(C)	(D)	(E)	(F)		
1	1	729972-01000	SHORT BLOCK ASSY	1	1						
2	2	129972-01001	BLOCK ASSY, CYLINDER	1	1						
3	2	129100-01580	PIN, PARALLEL	2	2						
4	2	129100-01580	PIN, PARALLEL	2	2						
5	2	129956-01710	PIPE, KNOCK L=25	1	1						
6	2	129900-02800	METAL ASSY, MAIN	5	5						
7	2	129900-02931	BEARING ASSY, THRUST	2	2						
8	2	129150-14200	TAPPET	8	8						
9	2	129908-14581	CAMSHAFT ASSY	1	1						
10	2	129956-21000	CRANKSHAFT ASSY	1	1						
11	2	129908-22080	PISTON ASSY	4	4						
12	2	120130-22301	PIN, PISTON	4	4						
13	2	129900-23001	ROD ASSY, CONNECTING	4	4						
14	2	129900-23601	BEARING ASSY, CRANK	4	4						
15	2	123900-25060	SHAFT, IDLE GEAR	1	1						
16	2	129900-25100	GEAR ASSY, IDLE	1	1						
17	2	129908-39410	CHECK VALVE ASSY	4	4						
18	2	119000-39650	NOZZLE, PISTON	4	4						
19	2	22252-000300	RING, 30	8	8						
20	2	22351-030010	PIN, 3.0A X10	1	1						
21	2	22351-060012	PIN, 6.0A X12	2	2						
22	2	23876-030000	PLUG, R03	1	1						
23	2	23876-030000	PLUG, R03	1	1						
24	2	26106-080162	BOLT, 8 X16	2	2						
25	2	26106-080552	BOLT, 8 X55	2	2						

NOT ILLUSTRATED

Remarks
* NOT ILLUSTRATED.

Part Number Index

All parts are stipulated in the order of part numbers.

(Depending on the area in which the part is used.)

This index will display the location of the part according to each part number.

PARTS No. INDEX

PARTS No.	Fig.	Ref.No.
105010-39140	13	24
105425-01690	3	6
114250-39450	13	1
114250-53080	17	5
114250-53120	17	9
114250-53130	17	10
114250-53140	17	11
114250-53210	17	12
114250-53400	17	13
119000-39650	13	38
	22	18
119005-35151	12	15
119005-44761	14	36
119131-18320	7	2
119254-44910	14	43
119305-59120	17	27
119560-59110	18	9
119593-11301	4	49
119620-11180	4	34
119620-77461	20	3
119620-77471	20	4
119620-77490	20	28
119620-77710	20	18
119620-79200	20	6
119620-79210	20	7
119620-79220	20	8
119620-79230	20	9
119620-79250	20	12
119620-79290	20	19
119620-79300	20	20
119620-79310	20	21
119620-79320	20	22
119620-79330	20	23
119620-79340	20	25
119620-79350	20	26
119624-77351	20	30
119625-11880	4	45
119802-11870	4	44
119802-51680	15	66
119802-51690	15	67
119803-11340	4	35
119852-49300	14	13
119852-51630	15	71
119852-51640	15	72
119852-51650	15	74
119860-34810	12	14
119934-55610	18	1
119934-55611	18	1 -1
120130-22301	9	23
	22	12

PARTS No.	Fig.	Ref.No.
121252-39150	13	2
121450-01560	10	4 -1
121450-42450	14	10
121750-59890	18	14
121850-21130	9	13
121850-21290	9	4
		5
	11	4
		5
121850-21920	9	6
121850-49550	14	39
121850-49800	14	41
121850-77021	5	10
122780-59100	17	26
123501-79240	20	11
123900-13630	6	3
123900-25060	8	9
	22	15
123901-03240	4	8
123901-18080	6	9
123907-11280	4	54
123907-11550	4	20
123907-11601	17	25
123907-11820	4	41
123907-11830	4	40
123907-39500	13	16
123907-55801	18	3
123907-59540	18	16
123907-59550	18	17
123907-59560	18	21
123908-03199	4	74
123951-18220	5	6
123957-39671	13	28
124070-13300	13	26
124160-01751	2	24
	4	69
124160-11340	4	36
124160-11360	4	81
124223-39900	13	5
124240-01883	10	2
124411-01780	3	14
124465-44950	14	12
124722-59050	18	19
124766-59050	18	7
		11
128401-77440	20	13
128401-77450	20	24
128610-14120	11	3
129001-11340	4	77
129001-91810	2	27

PARTS No.	Fig.	Ref.No.
129001-91810	2	33
129001-91841	3	10
129005-59830	13	8
		18
129008-61301	16	19
129052-77380	20	10
129052-79270	20	15
129054-96990	14	26
129100-01580	1	32
		33
	2	1
	22	3
		4
129122-44480	12	7
129150-02450	8	4
129150-11230	4	57
		61
129150-11750	4	39
		58
		62
129150-14200	8	1
	22	8
129150-25920	8	13
129150-49360	14	44
129150-59131	17	30
		34
129242-49450	14	45
129263-77930	15	131
129263-77941	15	132
129263-77951	15	130
129335-59090	18	8
129410-03990	4	4
129418-18320	6	4
129457-96200	14	20
129457-96230	14	21
129467-59010	18	6
129472-18090	7	1
129486-59510	18	20
129486-59551	18	18
129509-51390	15	24 A
129550-59120	17	31
129657-51590	15	61
129657-51600	15	62
129693-44310	3	9
129795-01900	20	1
129795-01960	11	1
129900-01200	1	30
129900-01250	1	4
129900-01740	2	26
129900-02020	1	7

PARTS No.	Fig.	Ref.No.
129900-02341	1	34
129900-02410	1	10
129900-02800	22	6
129900-02931	1	27
	22	7
129900-02941	1	37
129900-13251	6	2
129900-14100	8	6
129900-14140	2	35
129900-21200	9	3
129900-21600	9	16
129900-23001	9	25
	22	13
129900-23200	9	29
129900-23601	9	30
	22	14
129900-23611	9	32
129900-23911	9	28
129900-25100	8	10
	22	16
129900-26250	2	36
129900-32030	2	17
	12	16
129900-32040	2	18
129900-42061	14	1
129900-42070	14	2
129900-42140	14	18
129900-42161	14	5
129900-42170	14	6
129900-42461	14	33
129900-49560	14	40
129900-77010	19	1
129900-77400	19	2
129900-77440	19	5
129900-77450	19	7
		9
129900-77460	19	11
129900-77480	19	8
129900-77510	19	17
129900-77520	19	20
129900-77540	19	18
129900-77550	19	19
129900-77591	19	12
129900-77610	19	23
129900-77620	19	13
129900-77640	19	15
129900-77650	19	14
129900-77700	19	16
129900-77710	19	24
129906-01960	15	136

PARTS No. INDEX

PARTS No.	Fig.	Ref.No.
129906-12100	5	1
129906-51580	15	59
129907-01331	1	31
129907-03011	4	71
129907-03061	4	72
129907-03070	4	73
129907-11100	4	31
129907-11110	4	32
129907-11120	4	33
129907-11250	4	51
129907-11260	4	52
129907-11270	4	53
129907-11341	4	50
129907-11510	4	37
129907-11650	4	55
129907-11660	4	59
129907-11800	4	26
129907-11910	4	46
129907-11920	4	63
129907-11950	4	47
129907-12110	5	2
129907-14400	8	2
129907-22050	9	19
129907-25900	8	16
129907-44740	14	35
129907-51560	15	56
129907-53100	17	6
129907-59140	18	15
129908-01520	2	3
129908-11700	4	21
129908-14581	8	3
	22	9
129908-22080	9	17
	22	11
129908-32060	2	4
129908-39410	13	32
	22	17
129908-39690	13	29
129908-53000	17	2
129908-59810	17	37
129908-59820	17	38
129908-59830	17	39
129908-59840	17	40
129915-77051	5	11
129916-01800	2	32
129916-21610	9	9
129916-59020	15	128
129930-39050	13	23
129933-11310	4	76
129935-18010	7	4

PARTS No.	Fig.	Ref.No.
129950-59221	18	13
129953-25300	8	15
129956-01640	3	12
129956-01710	1	5
	22	5
129956-01740	3	5
129956-07911	4	16
129956-21000	9	1
	22	10
129956-26010	10	1
129956-26220	10	3
129956-28009	11	2
129956-28019	11	6
129956-28101	11	10
129956-28111	11	11
129956-28180	11	12
129956-28321	9	7
129956-28332	11	13
129956-28341	11	14
129956-33011	12	1
129956-33101	12	3
129956-33110	12	4
129956-33120	12	5
129956-35000	12	17
129956-49172	12	8
129957-33050	12	2
129960-21640	9	10
129961-77200	20	2
129961-77421	20	5
129963-39060	13	14
129972-01001	22	2
129972-01600	3	1
129972-01700	3	3
129972-01731	3	4
129972-03010	4	1
129972-03200	4	5
129972-03210	4	6
129972-03220	4	7
129972-03280	4	10
129972-03310	4	11
129972-07920	4	17
129972-11321	4	70
129972-13100	6	1
129972-13420	6	5
129972-13501	6	6
129972-13651	6	7
129972-13951	6	8
129972-18210	5	5
129972-18250	5	7
129972-21580	9	14

PARTS No.	Fig.	Ref.No.
129972-21660	9	11
129972-33140	12	6
129972-34800	12	13
129972-39450	13	3
129972-39610	13	27
129972-42100	14	3
129972-42280	14	34
129972-49350	14	14
129972-55620	18	2
129972-59010	18	10
129972-59090	18	12
129972-59710	17	35
129972-77370	20	34
129972-96150	21	14
129972-96901	21	15
129972-96951	14	19
129972-96961	14	23
129972-96971	14	24
129972-96980	14	25
129974-01950	15	135
129974-01970	15	137
129981-49531	14	38
144626-51090	15	13
158552-51570	15	57
158552-51580	15	60
158552-51670	15	5
158552-51781	15	100
158552-52100	15	106
158552-52310	15	108
158552-52400	15	109
158552-52500	15	107
158553-51670	15	65
158553-51680	15	78
158553-61780	16	22
158557-51570	15	58
158557-61600	16	20
158557-61720	16	21
158560-51600	15	70
158560-61050	16	2
158563-51150	8	17
158563-51281	15	23
		24
158563-51330	15	33
158600-51270	15	22
158601-51550	15	55
158601-51650	15	77
158601-51770	15	99
158601-51790	15	101
171008-77450	19	6
171008-77730	19	21

PARTS No.	Fig.	Ref.No.
171008-77740	19	22
171008-77750	19	25
171051-01921	1	6
185109-00070	20	37
185109-00080	20	38
1A7320-87902	21	1
1A7450-41110	10	6
729900-02801	1	24
729906-01550	2	30
729907-22950	9	36
729908-22900	9	34
729908-53100	17	1
729972-01000	22	1
729972-01560	1	1
729972-51310	15	2
729972-51320	15	1
X2114155110	19	3
X2114255110	19	4
X2130631300	19	10
X9490561001	20	27



YANMAR CO., LTD.